

CATALOGUE EXTERIEUR
LED DESIGN INNOVATION

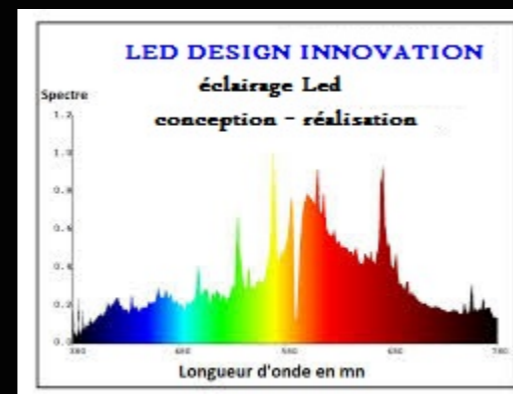
2021

PREMIUM SERIES 2021

HIGHBAY
PROJECTEURS
LANTERNES

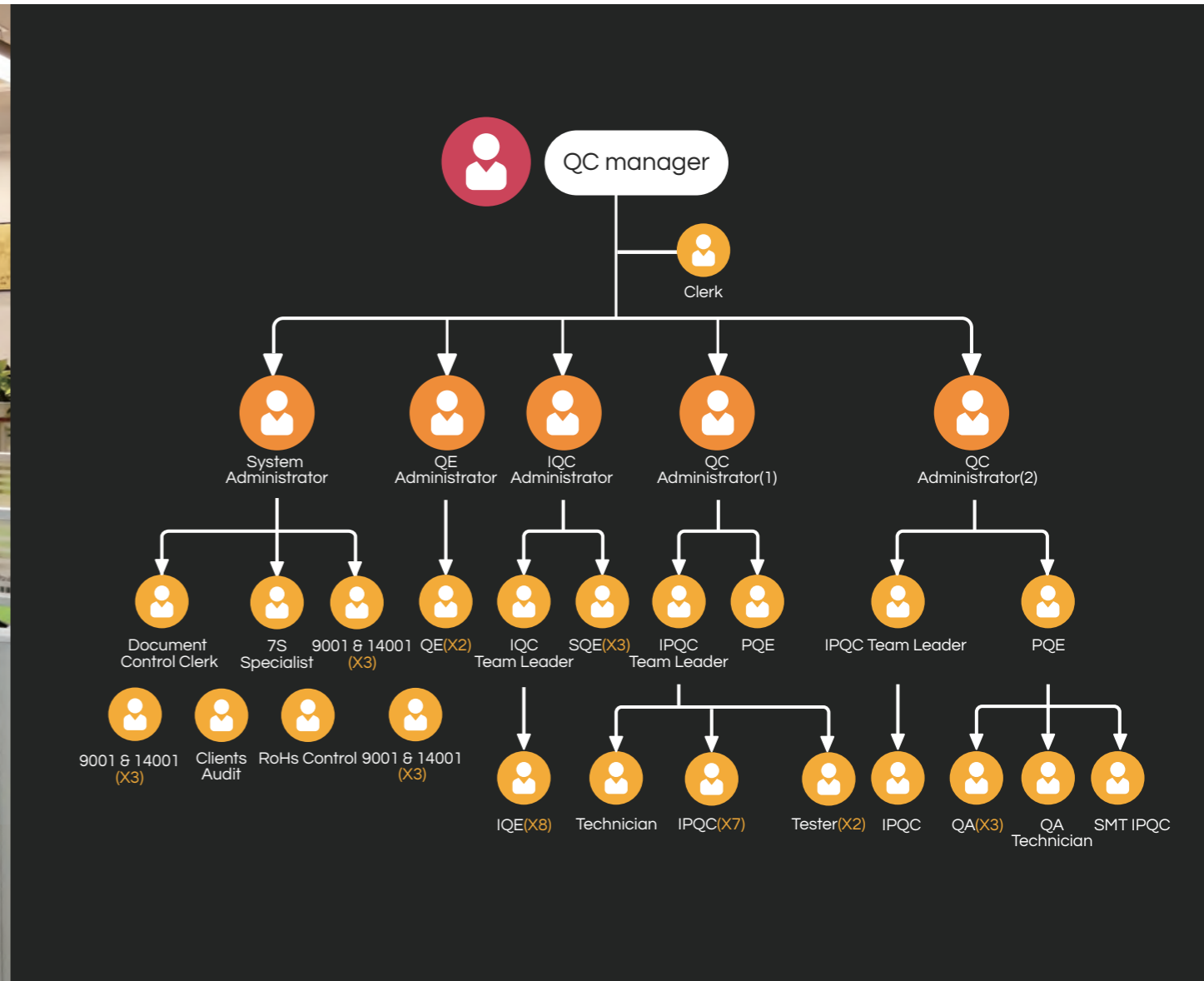
www.led-design-innovation.com

email : patrick.faggian11@gmail.com



15.000 SQ.M
450+ Employees





recherche et developpement

is a self-research, self-produce, and self quality control manufacturer, who attaches great importance to R&D and QC. Our R&D team is about 80 highly skilled professionals. While from the R&D department to the photometry laboratories and QC department, from the sales to the marketing, every member of the team works hard to meet customer's needs.

80+ Ingénieurs

38+ Staff

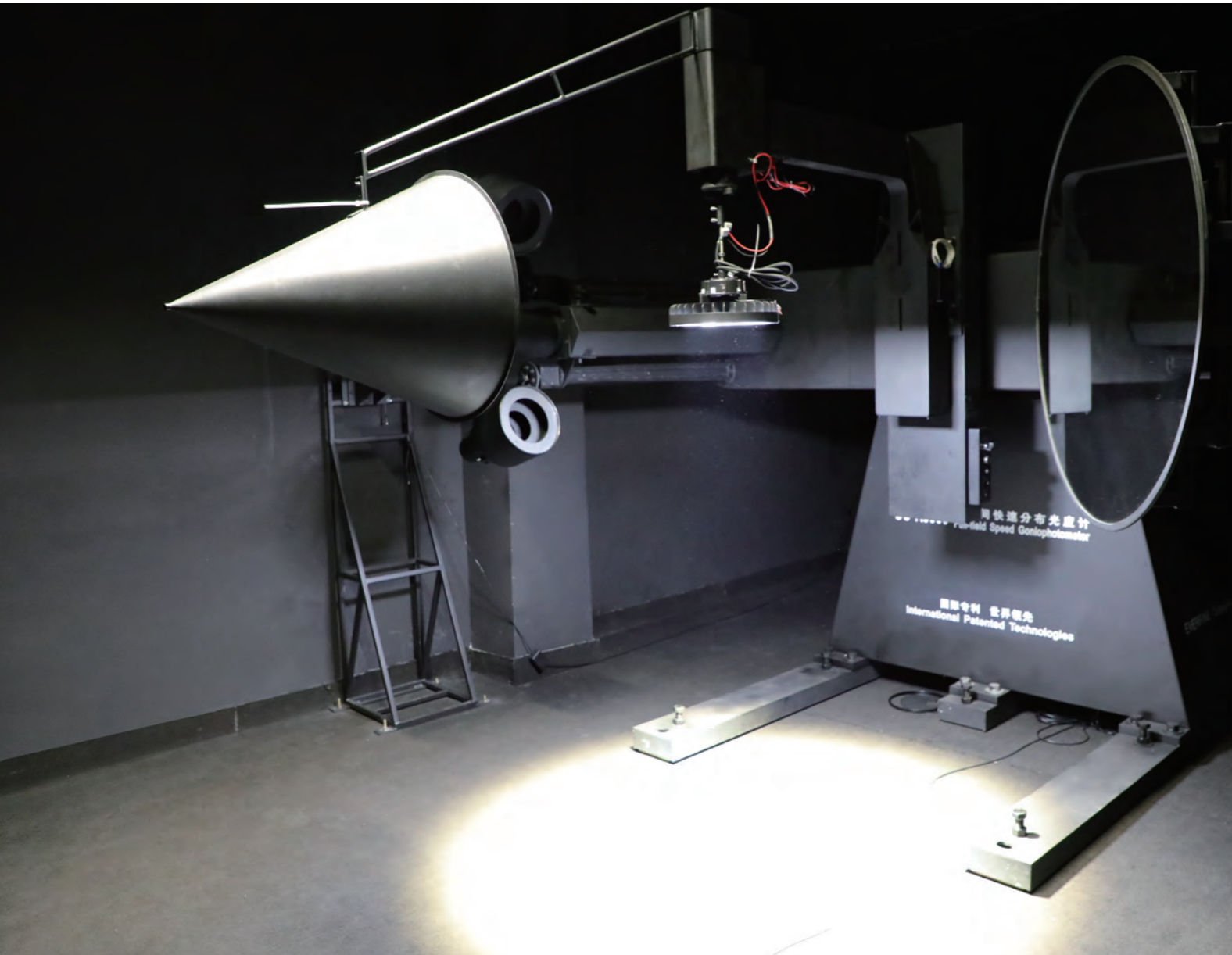




Product ion

Every test we did is designed to give y stomers confidence that the investment they 're m ay ing in A prod y cts is a so y nd one.

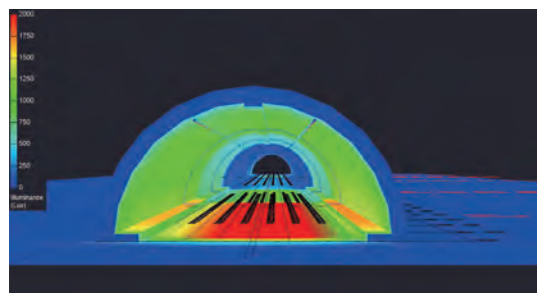
- ✓ 3D Printer
- ✓ Draught-proof Test
- ✓ Lifespan Test
- ✓ Needle-flame Test
- ✓ Dust-proof Test
- ✓ Cord Anchorage Test
- ✓ IPX5 / X6 / X7 Test
- ✓ Power Meter
- ✓ RoHS Test
- ✓ Load Test
- ✓ IES Test
- ✓ Aging Test
- ✓ Thermal Test
- ✓ Water-proof Test
- ✓ Surge Test
- ✓ Cold anchorage Test
- ✓ Integrating Sphere
- ✓ Electronic Balance
- ✓ Anti-corrosion Test
- ✓ Anti-UV Test
- ✓ Humidity Test
- ✓ Drop Test
- ✓ Glow-wire Test
- ✓ Oscilloscope
- ✓ 3G Vibration Test
- ✓ Oven
- ✓ Wind resistance Test
- ✓ AC/DC Power source
- ✓ Safety Test
- ✓ Constant Temperature
- ✓ Salt Spray Test
- ✓ Electronic Load Test
- ✓ Ebdyrance Test
- ✓ Suspension Test
- ✓ Touch Current Test
- ✓ Digital Multimeter



Free Lighting Design



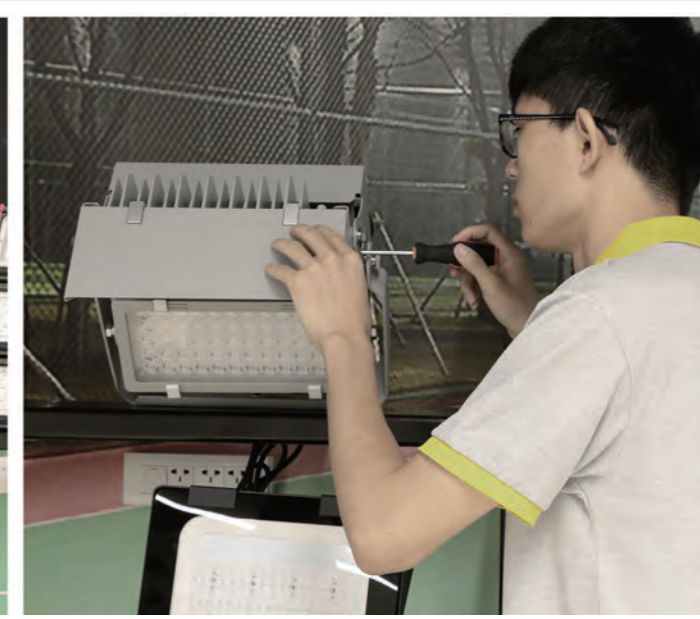
Professional and Fast





Customized Solutions

Just like you, we value lighting solutions that are flexible enough to fit the needs of each unique user while sustaining our environment. One dedicated team serves for custom engineering and quickly tackle to complicated customization request: such as optical lens, reflectors, anti-corrosion surface treatment, pole adaptor, brackets, smart controls like Motion sensor, Daylight sensor, Zigbee, DALI, DMX, Zhaga. Furthermore, for important projects, a customized team will be set up which is headed by product manager to provide specially-assigned personnel to ensure the smooth and orderly development of the project.



Products Categories



SPORT & AREA

- Sports Fields Lighting
- Area Site Lighting
- Architectural Lighting
- Security Lighting

INDUSTRIAL & WAREHOUSE

- Factories
- Warehouses
- Engineering Facilities
- Storage Facilities
- Logistics Facilities

SPECIAL PURPOSE LIGHTING

- Garage Parking
- Full-Cutoff Wall Pack
- Conveyor Lighting
- Tunnel Lighting
- Portable Work Light

STREET & ROADWAY

- Parks
- Roadways
- Routes / Country Road
- Highways
- Open Car Parks







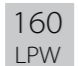















High-Bay Luminaires for Commercial and Industrial Buildings



-  LOW UGR
-  High-temperature
-  CCT Adjustable
-  10 years warranty
-  CRI90
-  IP65 External Emergency module
-  160 LPW High efficiency 160LPW
-  Low-Bay Luminaires
-  Rack optics/Aisle lens
-  Plug-and-play sensor
-  Food processing
-  200 LPW High efficiency 200LPW
-  300-600w High Powered 300-600W
-  Lumen output field adjustable
-  Light distribution field adjustable
-  5-core DALI



Specifications - HB01 mini HiCloud LED High Bay

Version: 3.0



Electrical Information			
Model No.	HB01-50	HB01-70	HB01-90
Power Consumption(±5%)	50W	70W	90W
Power Supply	MEAN WELL		
Input Voltage	100-240 VAC, 50 / 60 Hz		
Power Factor	>0.92		
Surge Protection	2kV line-line, 4kV line-earth		
Driver Type	Constant Current (CC)		
Control	dimmable, DALI, Daylight Sensor, Microwave Sensor, PIR Sensor Zigbee Wireless Control		

Optic Information			
LED Type	LED 3030		
Luminous Flux (±10%)	7000lm	9800lm	12600lm
Efficacy(@5000K Ra70)	140lm/W		150lm/W
Correlated Color Temperature	5000K (3000K, 4000K optional)		
Color Rendering Index	Ra70 (Ra80 optional)		
Beam Angle	H19601, H19602, H00A01, H00B01, H00B02		
UGR level	19		

Description

HiCloud LED highbay is the first UFO in the market, more than 1.5 million units export in all highbay. Very stable quality, we have sold more than 6 years, it is still the first choice for big projects. Different intelligent control, customized supports and diversified accessories can meet most of applications.

Key Features

- 140 LPW.
- Full wattage 50W, 70W, 90W.
- Optics can be replaced easily: 60°, 90°
- Low UGR, UGR<19
- Multiple installations: loop hanging, ceiling mounting, wall mounting, pipe mount.
- Intelligent control: 1-10V, Dali, Motion sensor, Daylight sensor, Zigbee and Emergency.
- Full certificates CE, ROHS, CB, C-tick, SAA, LM79, LM80, TM-21, ISTMT, LCP test reports available.
- Black, white housing optional
- PC and ALU reflector are optional.

Dimensions and Mount

Product Dimension	Φ264×122mm	Φ264×171mm
Luminaire Net Weight	2.4 ±0.3kg	3.1 ±0.3kg
Export Carton Size	310×235×315mm(17.32"×9.25"×12.4")	
Gross Weight	3.1±0.3kg	3.8 ±0.3kg

Lifespan and Warranty

Mounting Option	Loop Hanging Ceiling Mounting, Pipe Mounting	
Material	Aluminum Alloy Polycarbonate Optical Lens	
Finish	Powder Coating	
Fixture Color	Black body/Red ring, Black body/Black ring	
EPA	NA	
IK Rating	IK08, IK10	
IP Rating	IP20	IP65

Operating Temperature

Operating Temperature	-30°C to + 50°C	
Life Time of LED @Ta=25°C	61000hrs-L90	
	137000hrs-L80	
	223000hrs-L70	
Warranty	5 Years	

New Features

* Please consult us for details.

Applications

- Indoor and outdoor high ceiling application
- Warehouse
- Factory
- Industrial facility
- Chemical Facilities
- Exhibition centers
- Shopping malls
- Stadiums
- Toll stations

Specifications - HB01 HiCloud LED High Bay

Version: 3.0



Electrical Information						
Model No.	HB01-100	HB01-120	HB01-150	HB01-200	HB01-240	HB01-300
Power Consumption(±5%)	100W	120W	150W	200W	240W	300W
Power Supply	MEAN WELL					
Input Voltage	100-240 VAC, 50 / 60 Hz					
Power Factor	>0.92					
Surge Protection	2kV line-line, 4kV line-earth					
Driver Type	Constant Current (CC)					
Control	dimmable, DALI, Daylight Sensor, Microwave Sensor, PIR Sensor Zigbee Wireless Control					

Optic Information						
LED Type	LED 3030					
Luminous Flux (±10%)	14000lm	16800lm	21000lm	28000lm	36000lm	45000lm
Efficacy(@5000K Ra70)	140lm/W		150lm/W			
Correlated Color Temperature	5000K (3000K, 4000K optional)					
Color Rendering Index	Ra70 (Ra80 optional)					
Beam Angle	H00A02, H00B03, H00B04, H25201, H25202, H25203, H53201, H53202, H53203, H53204					
UGR level	25					

Description

HiCloud LED highbay is the first UFO in the market, more than 1.5 million units export in all highbay. Very stable quality, we have sold more than 6 years, it is still the first choice for big projects. Different intelligent control, customized supports and diversified accessories can meet most of applications.

Key Features

- 140 LPW & 160 LPW.
- Full wattage 100w, 120w, 150w, 200w, 240w, 300w.
- Optics can be replaced easily: 30°, 50°, 60°, 90° and 120°
- Low UGR solution optional, UGR<19
- Multiple installations: loop hanging, ceiling mounting, wall mounting, pipe mount.
- Intelligent control: 1-10V, Dali, Motion sensor, Daylight sensor, Zigbee and Emergency.
- Full certificates CE, ROHS, CB, TUV-GS, ENEC, C-tick, SAA; LM79, LM80, TM-21, ISTMT, LCP test reports available.
- Black, white housing optional
- PC and ALU reflector are optional.

Dimensions and Mount

Product Dimension	φ383×182mm	φ383×201mm	φ383×210mm	φ383×254mm
Luminaire Net Weight	5.6±0.3kg	5.9±0.3kg	6.7±0.3kg	8.7 ±0.3kg
Export Carton Size	440×255×450mm			
Gross Weight	6.5 ± 0.3kg	6.8±0.3kg	7.6 ±0.3kg	9.6 ±0.3kg

Lifespan and Warranty

Mounting Option	Loop Hanging Ceiling Mounting, Pipe Mounting			
Material	Aluminum Alloy Polycarbonate Optical Lens			
Finish	Powder Coating			
Fixture Color	Black body/Red ring, Black body/Black ring			
EPA	NA			
IK Rating	IK08, IK10			
IP Rating	IP65			

Operating Temperature

Operating Temperature	-30°C to + 50°C			
Life Time of LED @Ta=25°C	32000hrs-L90			
	152000hrs-L80			
	244000hrs-L70			
Warranty	5 Years			

New Features

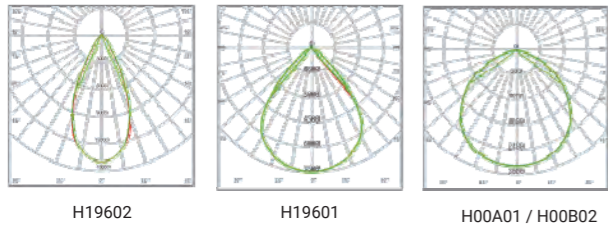
* Please consult us for details.

Applications

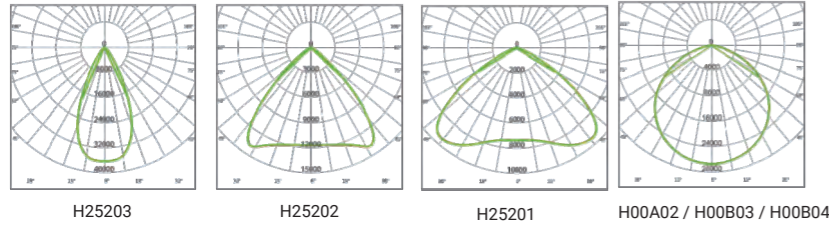
- Indoor and outdoor high ceiling application
- Warehouse
- Factory
- Industrial facility
- Chemical Facilities
- Exhibition centers
- Shopping malls
- Stadiums
- Toll stations

Photometry

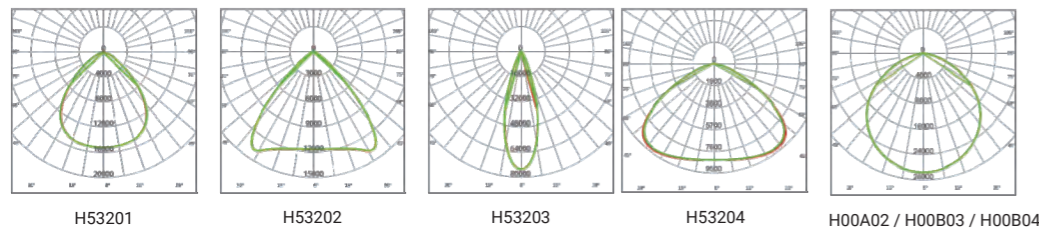
50W-90W beam angle



100W-200W beam angle



240W-300W beam angle

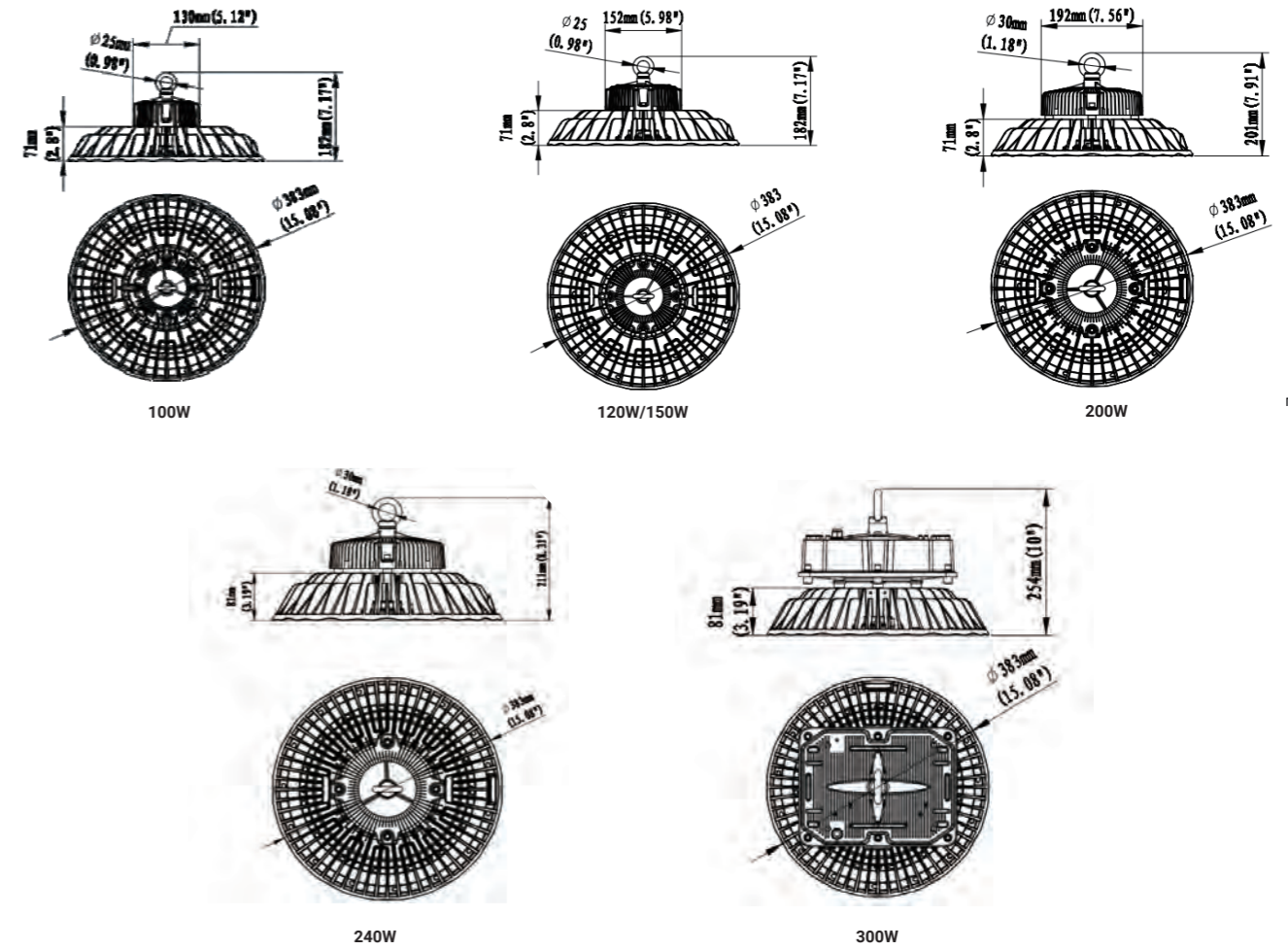
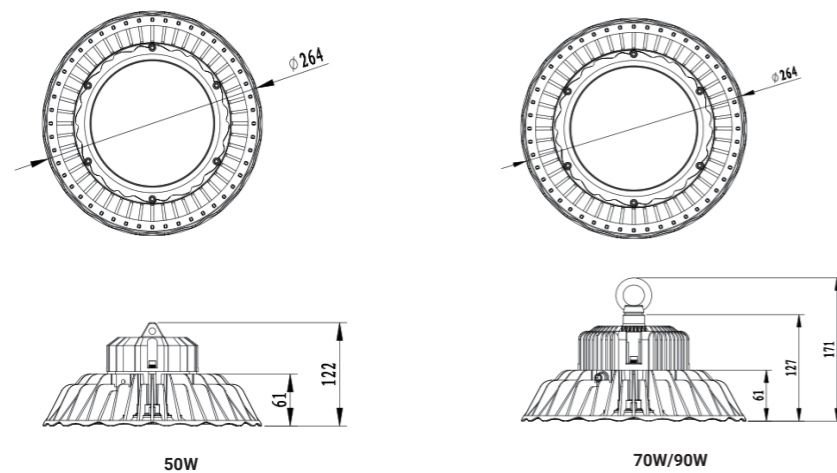


Mounting Options



Dimensions

Unit:mm



Accessories

 <p>Optic lens High transmittance PC materials, UV test approval. Code: please refer to Photometry for different beam angle.</p>	 <p>Aluminium reflectors Different beam angle, anti glare effect, black/silvery color options. 100-300W: Code: H00D02 (90°), H00D04 (110°), H00D03 (65°) 50-90W: Code: H00D01 (90°)</p>
 <p>PC reflector 90° PC reflector with lid. Code: H00C01A+H00C01B (100-300W) Code: H00C03A+H00C03B (50-90W)</p>	 <p>Protective wire guard Protect the luminaires from hitting. Code: BC-H01-08</p>
 <p>Ceiling mount bracket SPCC materials with outdoor powder coating, Non adjustable. Code: BC-H01-01 (100-240W) Code: BC-H01-01a (300W)</p>	 <p>±45° adjustable bracket SPCC materials with outdoor powder coating. Code: BC-H01-02a (100-240W) Code: BC-H01-02b (300W)</p>
 <p>±30° adjustable bracket SPCC materials with outdoor powder coating. Code: BC-H01-02c</p>	 <p>±180° adjustable bracket SPCC materials with outdoor powder coating. Code: BC-H01-03a (100-240W) Code: BC-H01-03b (300W)</p>

Specifications - HB01 HiCloud LED High Bay

Version: 3.0



Pole mount bracket
Match dia.60mm pole
Code: BC-H01-05b(100-240W)
Code: BC-H01-05c(300W)
Code: BC-H01-05a(70-90W)



Hook
304 stainless steel.
Code: HK-H01-01



Safety chain
304 stainless steel, available for
0.25m, 1m, 1.5m and 5m long.
Code: SC-H01-01a (100-300W)
Code: SC-H01-01b (50-90W)



Junction bracket for 2 high bay lights
SPCC materials with outdoor powder coating.
Code: BC-H01-09(100W) code:
BC-H01-07(200W)



Microwave motion sensor
120-277Vac input, IP65 rating,
max detect height is 15m.

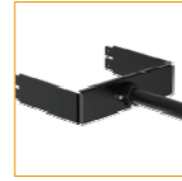
Remote controller



Zigbee wireless controller
1pcs for each luminaire.



Zigbee microwave motion sensor
An optional sensor control for Zigbee system, 100-
277Vac input, IP65 rating.



Pipe mount bracket
support both 3/4 or 1/2 NPT.
Code: BC-H01-04 (100-240W)



Pole
SPCC pole, length could be
customized.
Code: PL-A00-01



Daylight sensor
1-10V DC input, IP20 rating,
daylight Harvesting function.



Visor
SPCC materials with outdoor
powder coating.
Code: BC-H01-08



PIR sensor
120-277Vac input, IP65 rating,
max detect height is 15m.



Zigbee daylight sensor
An optional sensor control for
Zigbee system, 100-277Vac input,
IP65 rating.

Specifications - HB06 HiClean Plus LED High Bay

Version: 3.0



Description

HiClean plus LED highbay is specially design for food processing applications. The lamp body is arched perfectly which makes not only aesthetic but also dust-proof and easy to clean. At the basis of highly efficient heat dissipation solution, our design concept is "unibody", which lead the way in high bay lights.

Key Features

- 140lm/W or 160lm/W
- With IP69K protection level, you can flush the light frequently
- NSF certificate approved, used in a food processing plant.
- The product have an anti impact grade of IK10.
- The screw are hidden to prevent dust and moisture.
- Easy to Clean
- Covered by high transmittance PC instead of glass, to prevent debris falling to enhance the food safety.

Applications

- Food Processing Plant
- Warehouse
- Factory
- Pharmaceutical Manufacturing Facilities
- Chemical Facilities
- Beverage Processing
- Poultry and Meat Processing
- Pet-food Production
- Grain and Sugar Production

Electrical Information

Model No.	HB06-100	HB06-120	HB06-150	HB06-200
Power Consumption(±5%)	100W	120W	150W	200W
Power Supply	MEAN WELL			
Input Voltage	100-240 VAC, 50 / 60 Hz			
Power Factor	>0.92			
Surge Protection	2kV line-line, 4kV line-earth			
Driver Type	Constant Current (CC)			
Control	dimmable, DALI, Daylight Sensor, Microwave Sensor, PIR Sensor Zigbee Wireless Control			

Optic Information

LED Type	LED 3030			
Luminous Flux (±10%)	14000lm	16800lm	21000lm	28000lm
Efficacy(@5000K Ra70)	140lm/W			
Correlated Color Temperature	5000K (3000K, 4000K optional)			
Color Rendering Index	Ra70 (Ra80 optional)			
Beam Angle	H00A02, H00B03, H00B04, H25201, H25202, H25203			
UGR level	25			

Dimensions and Mount

Product Dimension	φ489×200mm
Luminaire Net Weight	7.2±0.3kg
Export Carton Size	560x260x565mm
Gross Weight	9.3±0.3kg
Mounting Option	Loop Mounting Ceiling Mounting, Pipe Mounting
Material	Aluminum Alloy Polycarbonate Optical Lens
Finish	Powder Coating
Fixture Color	Grey/White
EPA	NA
IK Rating	IK08, IK10
IP Rating	IP66

Lifespan and Warranty

Operating Temperature	-30°C to + 50°C
Life Time of LED @Ta=25°C	70000hrs-L90 152000hrs-L80 244000hrs-L70
Warranty	5 Years

New Features

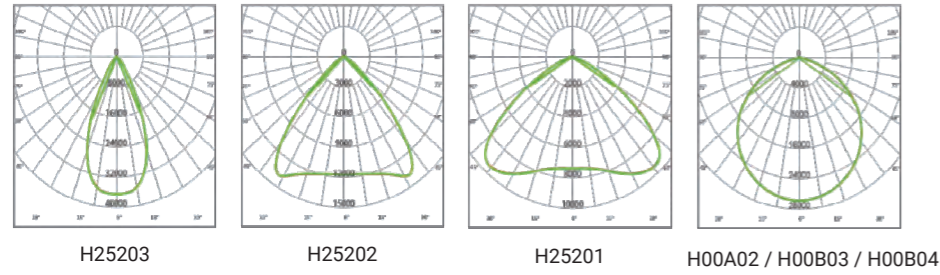
- UGR<19 with honeycomb diffuser available (for 100W-150W only).
- Working ambient temperatures 60°C, DC cable between driver and light 20m
- HB06-200 external emergency driver 10W 3hrs
- HB06 45degree adjustable bracket

* Please consult us for details.

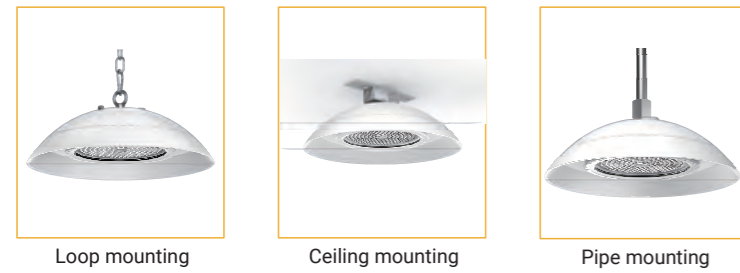
Specifications - HB06 HiClean Plus LED High Bay

Version: 3.0

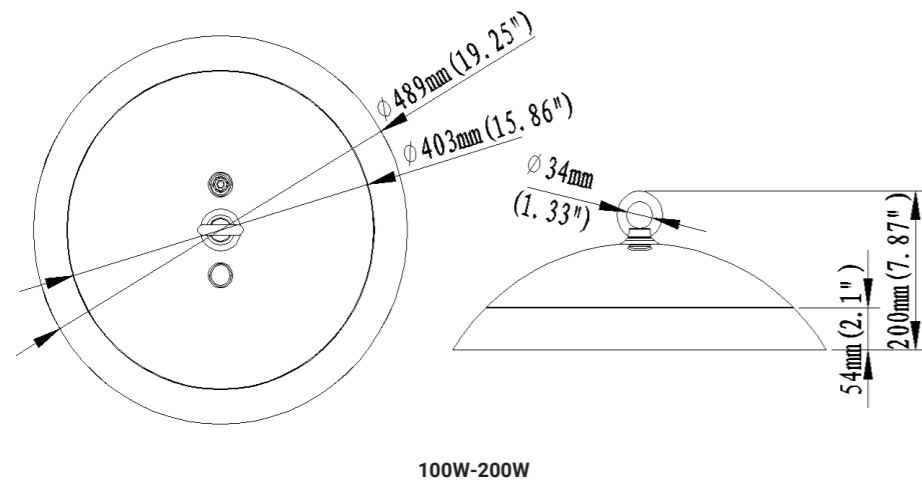
Photometry



Mounting Options



Dimensions



Accessories



Optic lens
High transmittance PC materials, UV test approval.
Code: please refer to **Photometry** for different beam angle.



Aluminium reflectors
Different beam angle, anti glare effect, black/silvery color options.
Code: H00D02 (90°)
Code: H00D04 (110°)
Code: H00D03 (65°)

Specifications - HB06 HiClean Plus LED High Bay

Version: 3.0



Ceiling mount bracket
SPCC materials with outdoor powder coating, Non adjustable.
Code: BC-H06-01



Safety chain
304 stainless steel, available for 0.25m, 1m, 1.5m and 5m long.
Code: SC-H06-03



Microwave motion sensor
120-277Vac input, IP65 rating, max detect height is 15m.

Remote controller



PIR sensor
120-277Vac input, IP65 rating, max detect height is 15m.



Daylight sensor
1-10V DC input, IP20 rating, daylight Harvesting function.



Zigbee microwave motion sensor
An optional sensor control for Zigbee system, 100-277Vac input, IP65 rating.



Zigbee wireless controller
1pcs for each luminaire.

Zigbee gateway
1pcs can control 100pcs



Zigbee daylight sensor
An optional sensor control for Zigbee system, 100-277Vac input, IP65 rating.



PC reflector
90° PC reflector with lid.
Code: H00C01A+H00C01B (90°)

Specifications - HB12 HiPro LED High Bay

Version: 3.0



Description

To provide a compact design but stable, and more powerful solution is the original intention we design the HiPro high bay. 140-160lm/W, IP65, outdoor powder coating heat sink, various lens and brackets, make HiPro performs perfectly in different conditions. Further more, UGR level of 19, ensuring comfortable workplace illumination.

Key Features

- Equiv. to 400W Metal Halide lamps
- IP65 & IK08 double protection
- Superior temperature stability
- Multiple installation ways available
- Multiple light distributions for different project needs
- Compatible with different intelligent control modes

Applications

- Warehouse
- Industrial Facility
- Exhibition Center
- Shopping Mall
- Gymnasium
- Airport
- Toll Station and so on.

Electrical Information				
Model No.	HB12-100	HB12-120	HB12-150	HB12-200
Power Consumption(±5%)	100W	120W	150W	200W
Power Supply	SOSEN			
Input Voltage	100-240 VAC, 50 / 60 Hz			
Power Factor	>0.92			
Surge Protection	4kV line-line, 4kV line-earth			
Driver Type	Constant Current (CC)			
Control	dimmable, DALI, Daylight Sensor, Microwave Motion Sensor, PIR Sensor Zigbee Wireless Control			

Optic Information				
LED Type	LED 3030			
Luminous Flux (±10%)	14000lm	16800lm	21000lm	28000lm
Efficacy(@5000K Ra70)	140lm/W			
Correlated Color Temperature	5000K (3000K, 4000K optional)			
Color Rendering Index	Ra70 (Ra80 optional)			
Beam Angle	H00A02, H00B03, H00B04, H25201, H25202, H25203			
UGR level	28			

Dimensions and Mount			
Product Dimension	φ292×183mm	φ292×191mm	φ292×199mm
Luminaire Net Weight	4.3±0.3kg	4.6±0.3kg	5.2±0.3kg
Export Carton Size	332×332×210mm		332×332×230mm
Gross Weight	5.2±0.3kg	5.5±0.3kg	6.1 ±0.3kg
Mounting Option	Loop Mounting Ceiling Mounting, Bracket Mounting		
Material	Aluminum Alloy Tempered Glass or Polycarbonate Optical Lens		
Finish	Powder Coating		
Fixture Color	Black/White		
EPA	NA		
IK Rating	IK08		
IP Rating	IP65		

Lifespan and Warranty		
Operating Temperature	-30°C to + 50°C	-30°C to + 45°C
Life Time of LED @Ta=25°C	96,000hrs-L80	151,000hrs-L70
Warranty	5 Years	

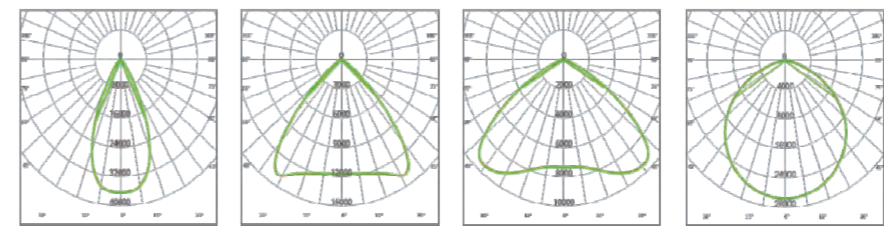
New Features

* Please consult us for details.

Specifications - HB12 HiPro LED High Bay

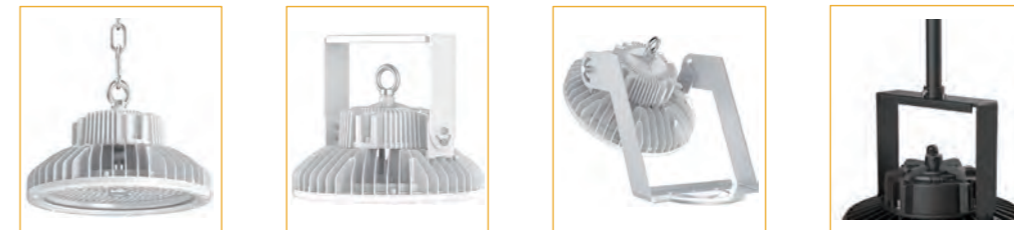
Version: 3.0

Photometry



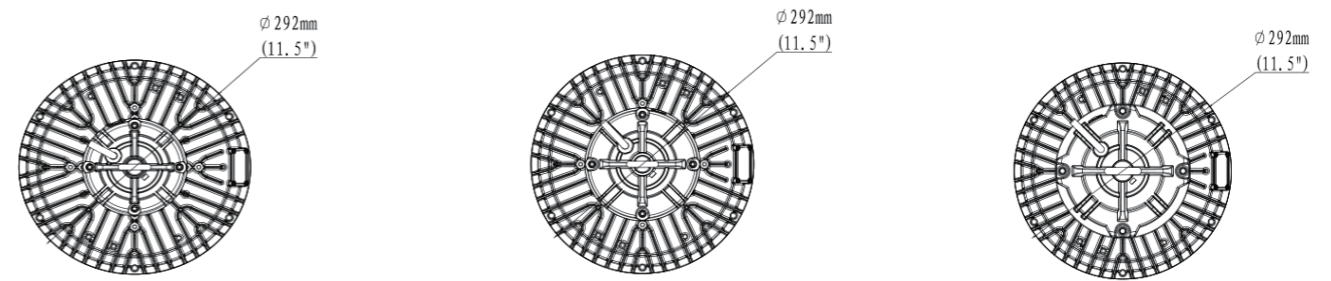
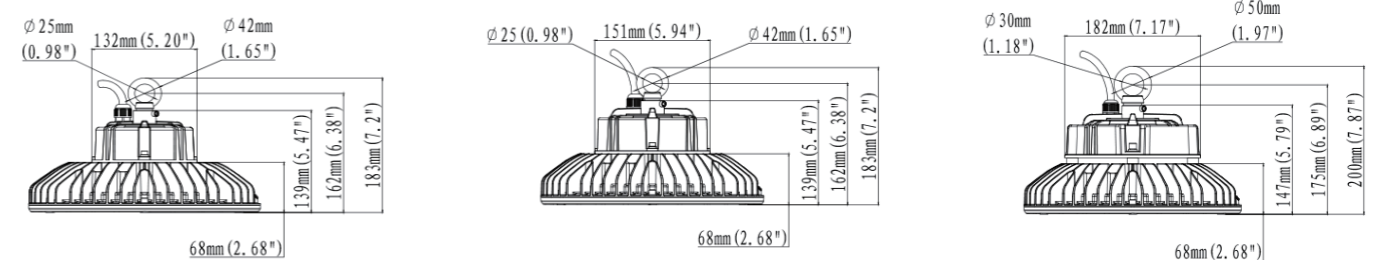
H25203 H25202 H25201 H00A02 / H00B03 / H00B04

Mounting Options



Loop mounting Ceiling mounting Bracket mounting Pipe mounting

Dimensions



100W/120W 150W 200W

Accessories

Specifications - HB12 HiPro LED High Bay

Version: 3.0



Optic lens

High transmittance PC materials, UV test approval.

Code: please refer to **Photometry** for different beam angle.



±45° adjustable bracket

SPCC materials with outdoor powder coating.

Code: BC-H12-01



Safety chain

304 stainless steel, available for 0.25m, 1m, 1.5m and 5m long.

Code: SC-H01-01a



Microwave motion sensor

120-277Vac input, IP65 rating, max detect height is 15m.

Remote controller



Daylight sensor

1-10V DC input, IP20 rating, daylight Harvesting function.



Zigbee wireless controller

1pcs for each luminaire.

Zigbee gateway

1pcs can control 100pcs fixtures.



PC reflector

90° PC reflector with lid.

Code: H00C01A+H00C01B(90°)



Aluminium reflectors

Different beam angle, anti glare effect, black/silvery color options.

Code: H00D02 (90°)
Code: H00D04 (110°)
Code: H00D03 (65°)



±90° adjustable bracket

SPCC materials with outdoor powder coating.

Code: BC-H12-02



Pipe mount bracket

support 3/4 NPT.

Code: BC-H12-03



PIR sensor

120-277Vac input, IP65 rating, max detect height is 15m.



Zigbee microwave motion sensor

An optional sensor control for Zigbee system, 100-277Vac input, IP65 rating.



Zigbee daylight sensor

An optional sensor control for Zigbee system, 100-277Vac input, IP65 rating.



CE CB RoHS SAA



Description

HB17 comes with 450w and 600W. Two in one design make it available for LED highbay light and LED floodlight as well. High power with 160lm/w lumen output make it to be right choice for high mounting application, such as hangar and large sports area. Versatile beam angle help cover different project demands. It can replace 1000W and 2000W HID/Metal Halide Lamp directly.

Key Features

- Cold-forged heat sink with excellent heat dissipation while keep the lamps in smaller size.
- High efficacy up to 160 lm/w.
- Beam angle : 15° 30° 60° and 90° ,120° optional.
- Can be used as both High Bay and Flood Light

Applications

- High ceiling application
- Large equipment factory
- Exhibition Center
- Stadium Hangar/Airport

Specifications - HB17 LED High Bay Light

Version: 3.0

Electrical Information		
Model No.	HB17-450	HB17-600
Power Consumption (±5%)	450W	600W
Power Supply	Inventronics	
Input Voltage	100-240 VAC, 50 / 60 Hz	
Power Factor	>0.92	
Surge Protection	6kV line-line, 10kV line-earth	
Driver Type	Constant Current (CC)	
Control	dimnable, DALI, Daylight Sensor, Microwave Sensor, PIR Sensor Zigbee Wireless Control	

Optic Information		
LED Type 1	LED 5050	
Luminous Flux (±10%)	72000LM	96000LM
Efficacy(5000K Ra70)	160lm/w	
Beam Angle	H31201,H31202,H31203,H00A07	
LED Type 2	LED 3737	
Luminous Flux (±10%)	63000LM	84000LM
Efficacy(5000K Ra70)	140lm/w	
Beam Angle	H29201	
Correlated Color Temperature	5000K (3000K, 4000K optional)	
Color Rendering Index	Ra70 (Ra80 optional)	
UGR level	24	

Dimensions and Mount			
Product Dimension	Loop Hanging	Φ454 x 263m	
	Bracket Mounting	633 x 467x 454mm	
Luminaire N.W	Loop Hanging	12.8±0.3kg	13.5±0.3kg
	Bracket Mounting	16.5±0.3kg	17.5±0.3kg
Export Carton Size	Light Carton Size	524×330×528mm	
	Bracket Carton Size	365×310×450m(4PCS/CTN)	
	Visor Carton Size	430×370×220mm(8PCS/CTN)	
Gross Weight (Loop Hanging)	14.8±0.3kg	15.6±0.3kg	
Mounting Option	Loop Hanging / Bracket Mounting		
Material	Housing	Aluminum Alloy	
	Optics	Tempered Glass or Polycarbonate Optical Lens	
Finish	Powder Coating		
Fixture Color	Black		
EPA	NA		
IK Rating	IK08		
IP Rating	IP65		

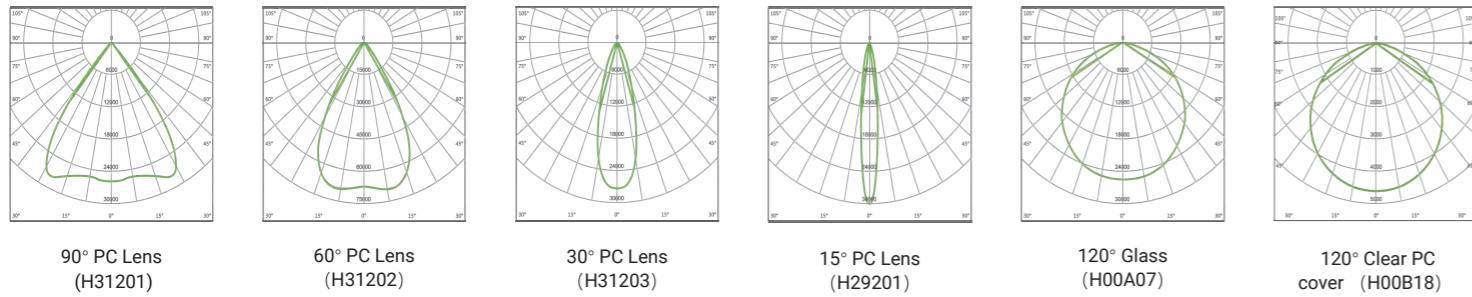
Lifespan and Warranty	
Operating Temperature	-30°C to +45°C
Life Time of LED @Ta=25°C	52000hrs-L90
	105000hrs-L80
	164000hrs-L70
Warranty	5 Years

New Features	
1. 65.9°C High Temperature Solution	
2. Emergency Solution; Microwave motion sensor Solution; Surge protection Solution	
3. Ceiling mounting bracket ; ±90deg rotatable mounting bracket; Pole mount solution	
4. Dust-resistance Solution	
5. Anti-glare AL Reflector Solution	
<i>*Please consult us for details.</i>	

Specifications - HB17 LED High Bay Light

Version: 3.0

Photometry

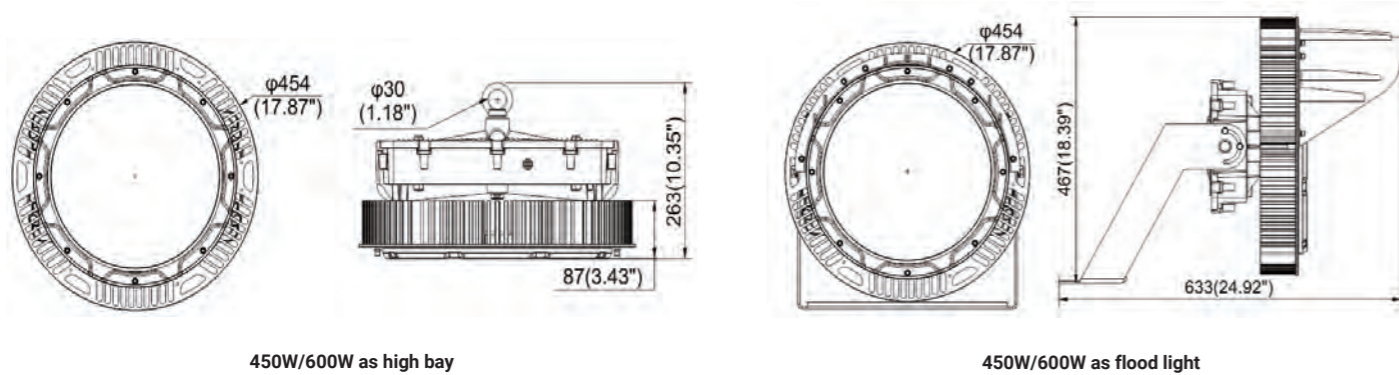


Mounting Options

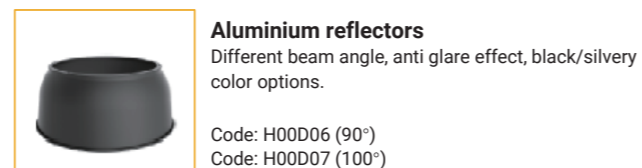
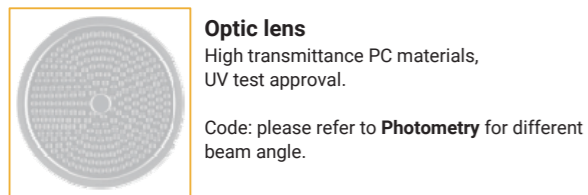


Dimensions

Unit:mm

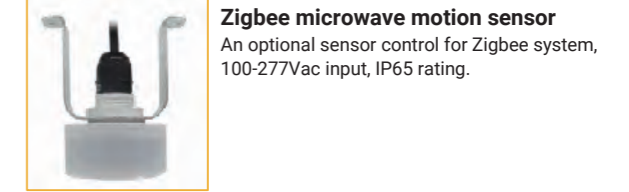
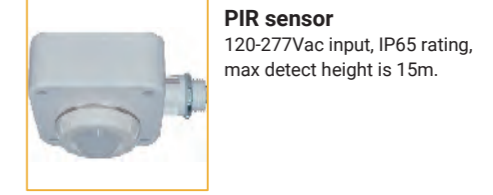
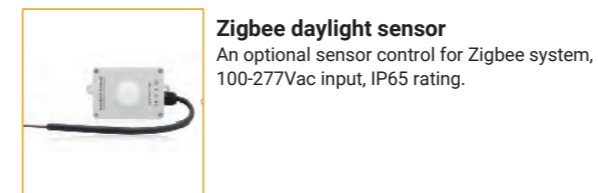
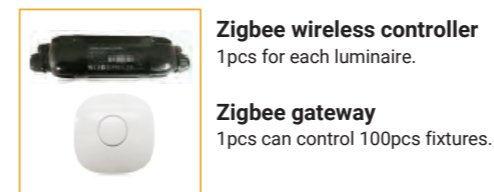
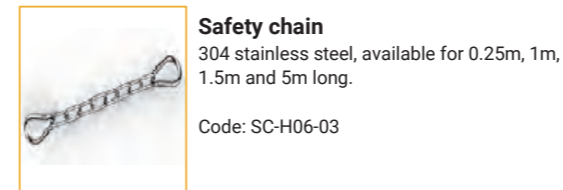
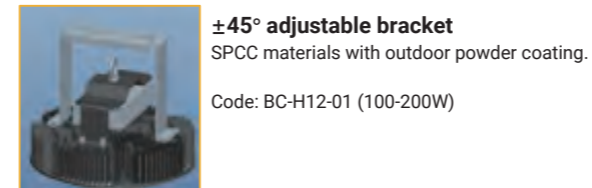
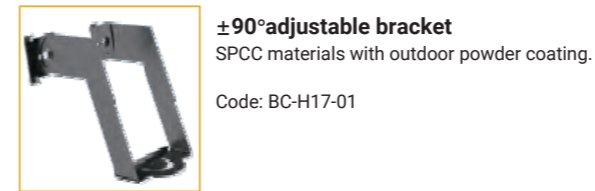


Accessories



Specifications - HB17 LED High Bay Light

Version: 3.0



Specifications - HB18 HiWide LED High Bay

Version: 3.0



Description

HiWide with an ingenious design, snow white lamp body well matched with PC diffuser, is exceptional for different commercial applications, such as shopping-mall, large plazas, large Docking, etc. It is integrated with PC diffuser which makes efficacy up to 140lm/w but low anti-glare. Simple and stylish outlook is a heavenly solution to your aesthetically demanding spaces.

Key Features

- 145 lm/W.
- Full wattage:30W, 50W, 75W, 100W, 120W, 150W, 180W.
- Low UGR solution optional
- Intelligent control: 1-10V, DALI.
- PC reflector normal configuration .

Applications

- Indoor and outdoor high ceiling application
- Warehouse
- Factory
- Industrial facility
- Chemical Facilities
- Exhibition centers
- Shopping malls
- Stadiums
- Toll stations

Electrical Information							
Model No.	HB18-030	HB18-050	HB18-75	HB18-100	HB18-120	HB18-150	HB18-180
Power Consumption(±5%)	30W	50W	75W	100W	120W	150W	180W
Power Supply	SOSEN						
Input Voltage	100-240 VAC, 50 / 60 Hz						
Power Factor	>0.92						
Surge Protection	6kV line-line, 10kV line-earth						
Driver Type	Constant Current (CC)						
Control	dimnable, DALI						

Optic Information							
LED Type	LED 2835						
Luminous Flux (±10%)	4350lm	7250lm	10875lm	14500lm	17400lm	21750lm	26100lm
Efficacy(@5000K Ra80)	145lm/W						
Correlated Color Temperature	5000K (3000K, 4000K optional)						
Color Rendering Index	Ra80						
Beam Angle	H00107+H00C03-A, H00104+H00C03-A, H00103+H00C03-A		H00A09+H00C01A				
UGR level	22						

Dimensions and Mount

Product Dimension	φ278×276mm	φ421×385mm		
Luminaire Net Weight	2.5±0.3kg	5.3±0.3kg	5.6±0.3kg	5.7±0.3kg
Export Carton Size	320×320×315mm	355×355×275mm		
Gross Weight	3.5±0.3kg	6.0±0.3kg	6.3±0.3kg	6.4 ±0.3kg
Mounting Option	Loop Mounting			
Material	Aluminum Alloy			
Finish	Powder Coating			
Fixture Color	White			
EPA	NA			
IK Rating	IK08			
IP Rating	IP65			

Lifespan and Warranty

Operating Temperature	-30°C to + 50°C
Life Time of LED @Ta=25°C	76000hrs-L80 120000hrs-L70
Warranty	5 Years

New Features

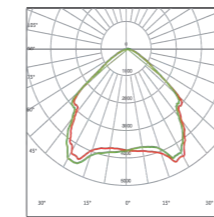
* Please consult us for details.

Specifications - HB18 HiWide LED High Bay

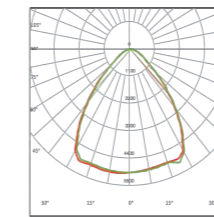
Version: 3.0

Photometry

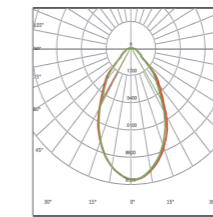
30W-75W beam angle



H00107+H00C03-A

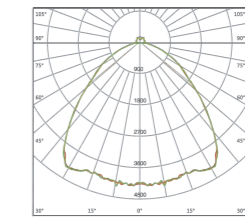


H00104+H00C03-A



H00103+H00C03-A

100W-180W beam angle



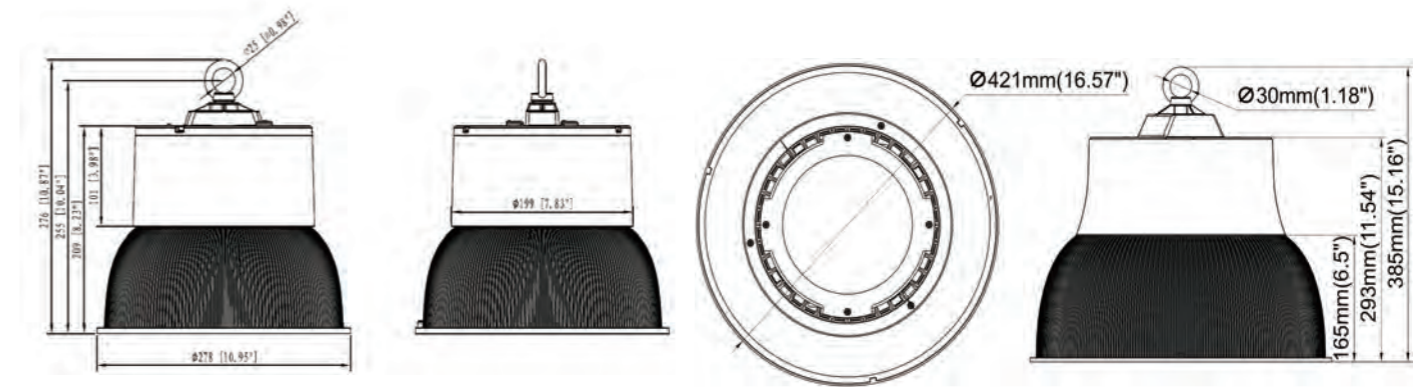
H00A09+H00C01A

Mounting Options



Loop mounting

Dimensions



30W/50W/75W

100W/120W/150W/180

Accessories



Safety chain
304 stainless steel, available for 0.25m, 1m, 1.5m and 5m long.
Code: SC-H01-01a



PC reflector
90° PC reflector with lid.
Code: H00C03A+H00C03B (90°) (30W-75W)
Code: H00C01A+H00C01B (90°) (100W-180W)

Specifications - HB21 HiAir LED High Bay

Version: 3.0



Description

HB21 LED highbay is specially design for food processing applications. The lamp body is arched perfectly which makes not only aesthetic but also easy to clean. A built-in microwave motion sensor makes it convenient to be adjusted after installation. Intelligent detection saves more energy.

Key Features

- Smooth exterior and no exposed fasteners
- Contains no glass and toxic material for food safety
- Well-sealed with dust tight and waterproof rating of IP66
- Equipped with Microwave sensor modules and set by remote controller after installation
- The smooth, seamless and downward angled aluminum alloy housing design ensures zero residue remains after wash down
- Super high efficacy up to 150 LM/W
- 100-277VAC & 277-480VAC available

Applications

- Food Processing Plant
- Warehouse
- Factory
- Pharmaceutical Manufacturing Facilities
- Chemical Facilities
- Beverage Processing
- Poultry and Meat Processing
- Pet-food Production
- Grain and Sugar Production
- Any area demanding a well sealed, smooth high output LED light fixture

Electrical Information

Model No.	HB21-100	HB21-120	HB21-150	HB21-200	HB21-240
Power Consumption(±5%)	100W	120W	150W	200W	240W
Power Supply	MEAN WELL				
Input Voltage	100-240 VAC, 50 / 60 Hz				
Power Factor	>0.92				
Surge Protection	2kV line-line, 4kV line-earth				
Driver Type	Constant Current (CC)				
Control	dimmable, DALI, Microwave Motion Sensor				

Optic Information

LED Type	LED 3030				
Luminous Flux (±10%)	15000lm	18000lm	22500lm	30000lm	36000lm
Efficacy(@5000K Ra70)	150lm/W				
Correlated Color Temperature	5000K (3000K, 4000K optional)				
Color Rendering Index	Ra70 (Ra80 optional)				
Beam Angle	H55501, H00B18				
UGR level	26				

Dimensions and Mount

Product Dimension	φ520×223mm	
Luminaire Net Weight	8.9±0.3kg	9.1±0.3kg
Export Carton Size	580×580×272mm	
Gross Weight	10.8±0.3kg	11.0±0.3kg
Mounting Option	Loop Mounting	
Material	Aluminum Alloy Polycarbonate Optical Lens	
Finish	Powder Coating	
Fixture Color	White	
EPA	NA	
IK Rating	IP69K	
IP Rating	IP66	

Lifespan and Warranty

Operating Temperature	-30°C to + 50°C
	56,000hrs-L90
Life Time of LED @Ta=25°C	125,000hrs-L80 203,000hrs-L70
Warranty	5 Years

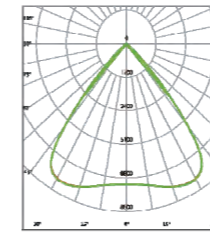
New Features

* Please consult us for details.

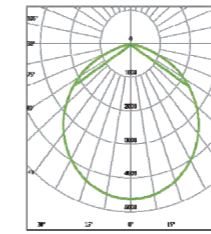
Specifications - HB21 HiAir LED High Bay

Version: 3.0

Photometry



H55501



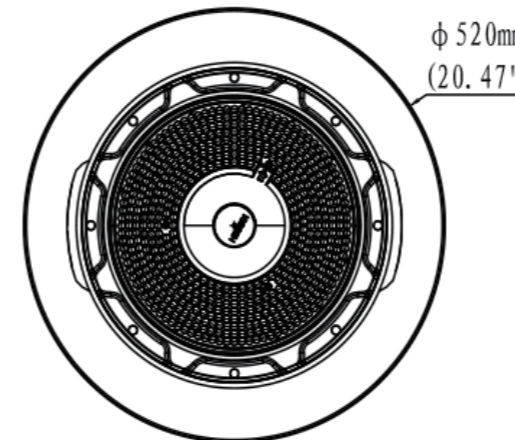
H00B18

Mounting Options

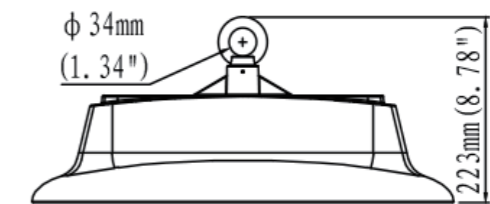


Loop mounting

Dimensions



φ 520mm
(20.47")



φ 34mm
(1.34")

223mm (8.78")

100W-240W

Accessories



Optic lens
High transmittance PC materials, UV test approval.
Code: please refer to **Photometry** for different beam angle.



Safety chain
304 stainless steel, available for 0.25m, 1m, 1.5m and 5m long.
Code: SC-H06-01



Microwave motion sensor
120-277Vac input, IP65 rating, max detect height is 15m.

Specifications - HB32 LED High Bay Light Ta65°C

Version: 3.0



CE RoHS

Electrical Information			
Model No.	HB32-100	HB32-150	HB32-200
Power Consumption(±5%)	100W	150W	200W
Power Supply	Philips Driver		
Input Voltage	100-240 VAC 50 / 60 Hz		
Power Factor	>0.92		
Surge Protection	4kV line-line, 6kV line-earth		
Driver Type	Constant Current (CC)		
Control	Dimmable and Non-dimmable		

Optic Information			
LED Type	LED 3030		
Luminous Flux (±10%)	15000lm	22500lm	30000lm
Efficacy (5000K Ra70)	150 LM/W		
Correlated Color Temperature	5000K (3000K, 4000K optional)		
Color Rendering Index	Ra70 (Ra80 optional)		
Beam Angle	H55601/H55602/H00108/H00111/H00115/H11401		
UGR level	<25		

Description

No dust accumulation design will help the fixture better heat dissipation and work longer. HB32 high bay will be an excellent luminaire for heavy dust area, like carpenter, workshop, paper processing area, etc.

Key Features

- Dust-free accumulation design, better heat dissipation.
- Superior heat dissipation design for working temperature up to Ta65°C.
- Well-sealed with dust tight and waterproof rating of IP65.
- Multiple mounting options.
- Super high efficacy up to 150 LM/W.

Dimensions and Mount

Product Dimension	φ360 x 301mm	φ360 x 379mm
Luminaire Net Weight	3.9±0.3kg	4.3±0.3kg
Export Carton Size	420×420×212mm	
Gross Weight	5.0kg±0.3kg	5.4kg±0.3kg
Mounting Option	Loop Hanging Ceiling Mounting	
Material	Aluminum Alloy Polycarbonate Optical Lens	
Finish	Powder Coating	
Fixture Color	Black	
EPA	NA	
IK Rating	IK08	
IP Rating	IP65	

Lifespan and Warranty

Operating Temperature	-30°C to + 50°C
Life Time of LED @Ta=25°C	51000hrs-L90
	102000hrs-L80
	151000hrs-L70
Warranty	Ta 50°C -10 Years
	Ta 65°C - 5 Years

Applications

- Warehouse
- Industrial Facility
- Exhibition Center
- Shopping Mall
- Gymnasium
- Airport
- Toll Station and so on

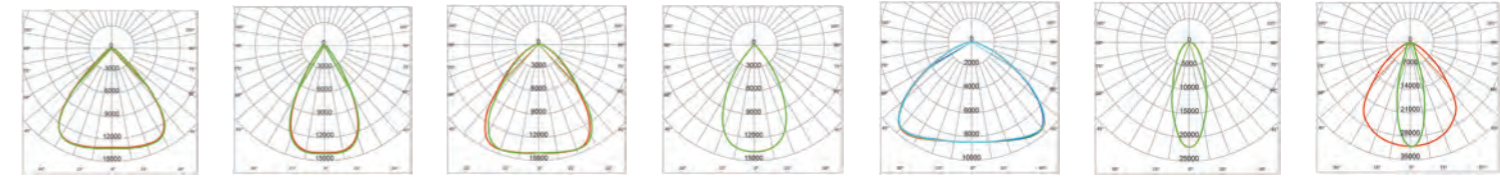
New Features

* Please consult us for details.

Specifications - HB32 LED High Bay Light Ta65°C

Version: 3.0

Photometry



H55601 (85° dotted lens) H55602 (60° dotted lens) H00108 (90° circular Lens) H00111 (60° circular Lens) H00115 (120° circular Lens) H00121 (40° circular Lens) H11401 (40*100° Strip Lens)

Mounting Options

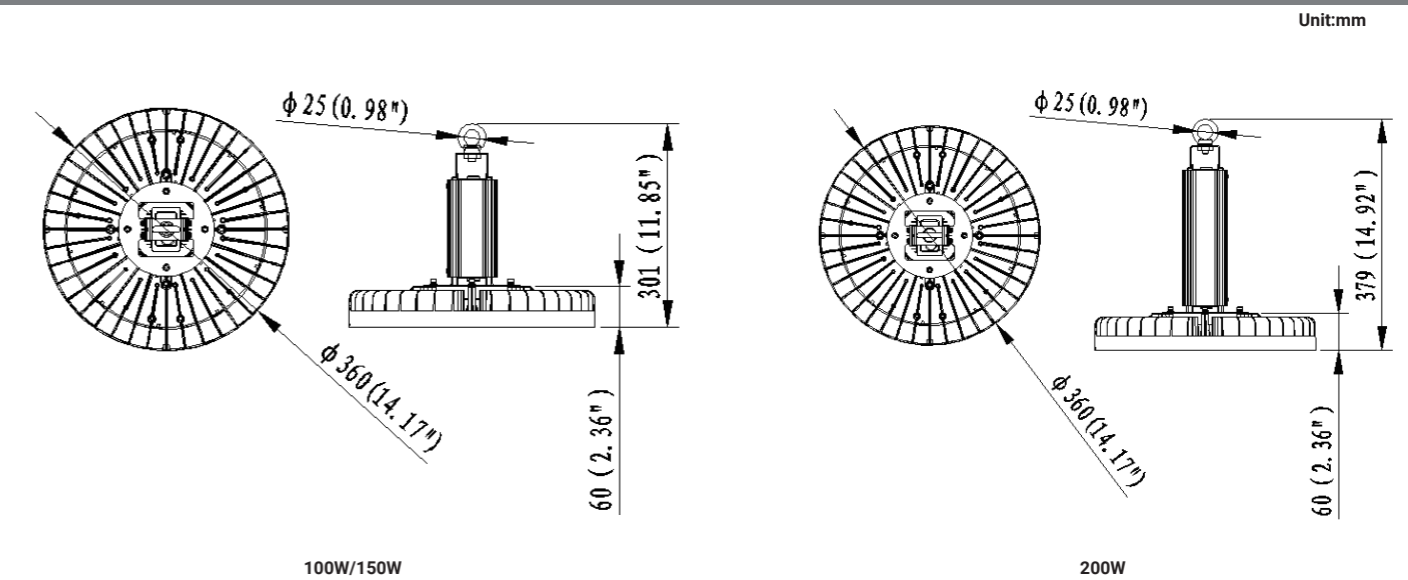


Loop Hanging



Ceiling Mounting

Dimensions



Accessories



Optic lens
High transmittance PC materials, UV test approval.
Code: please refer to **Photometry** for different beam angle.



Aluminium reflectors
Different beam angle, anti glare effect, black/silvery color options.
Code: H00D09 (90°)
Code: H00D07 (100°)

Specifications - HB32 LED High Bay Light Ta65°C

Version: 3.0



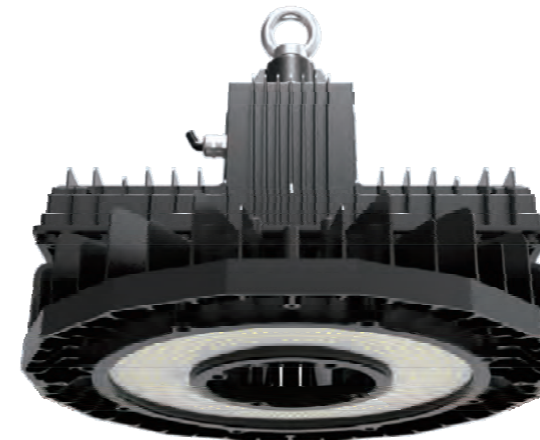
PC reflector
90° PC reflector with lid.
Code: H00C12



±45° adjustable bracket
SPCC materials with outdoor powder coating.
Code: BC-H25-03



Safety chain
304 stainless steel, available for 0.25m, 1m, 1.5m and 5m long.
Code: SC-H01-01a



Description

HB31 highbay light special designed for high working temperature industrial ambient, even for up to 65~70°C. Advanced thermal management system allows superior heat dissipation ensuring long life with minimal lumen depreciation. 5 years warranty is offered for such harsh environment.

Key Features

- Working temperature up to 70°C
- High performance LED design delivering up to 165 lm/W, up to 33000lm
- Four wattages 100W, 120W, 150W, 200W
- IP65 rating
- Outstanding cooling performance with excellent air cross-ventilation design
- 50,000 hours, long life at L70@70°C

Applications

- Warehouse
- Industrial Facility
- Exhibition Center
- Shopping Mall
- Gymnasium
- Stations

Specifications - HB31 LED High Bay

Version: 3.0

Electrical Information

Model No.	HB31-100	HB31-120	HB31-150	HB31-200
Power Consumption(±5%)	100W	120W	150W	200W
Power Supply	PHILIPS driver			
Input Voltage	220-240 VAC , 50 / 60 Hz			
Power Factor	≥0.92			
Surge Protection	2kV line-line,4kV line-earth			
Driver Type	Constant Current (CC)			
Control	Non-dimmable, DALI Control			

Optic Information

LED Type	LED 3030			
Luminous Flux (±10%)	16500lm	19800lm	24750lm	33000lm
Efficacy(@5000K Ra70)	165 LM/W			
Correlated Color Temperature	5000K (3000K, 4000K optional)			
Color Rendering Index	Ra70 (Ra80 optional)			
Beam Angle	H00A12			
UGR level	NA			

Dimensions and Mount

Product Dimension	φ400x306.5mm		
Luminaire Net Weight	7.89±0.3kg		7.96±0.3kg
Export Carton Size	455x455x360mm		
Gross Weight	9.66±0.3kg		9.73±0.3kg
Mounting Option	Loop Hanging/Ceiling Mounting		
Material	Aluminum Alloy Glass cover		
Finish	Powder Coating		
Fixture Color	black		
EPA	NA		
IK Rating	IK07		
IP Rating	IP65		

Lifespan and Warranty

Operating Temperature	-30°C to + 70°C
Life Time of LED @Ta=25°C	70000hrs-L90
	152000hrs-L80
	244000hrs-L70
Warranty	5 Years

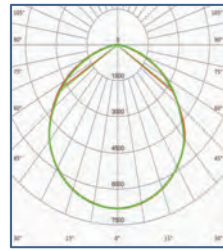
New Features

* Please consult us for details.

Specifications - HB31 LED High Bay

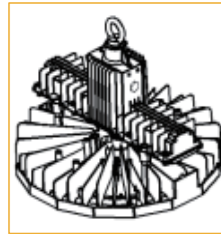
Version: 3.0

Photometry

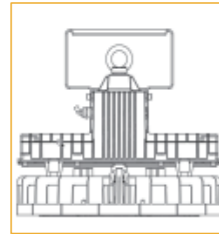


Clear Glass

Mounting Options



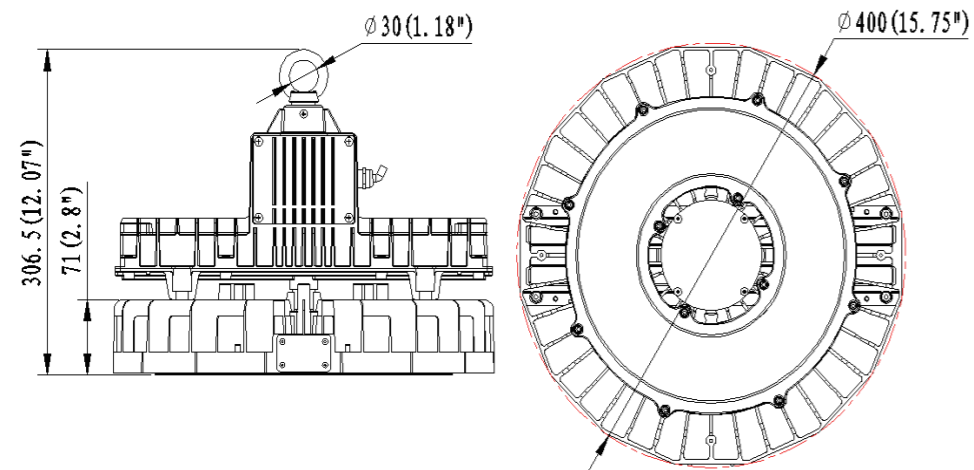
Loop mounting



Ceiling mounting

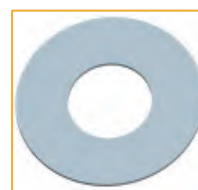
Dimensions

Unit:mm



100W/120W/150W/200W

Accessories



Tempered glass
Tempered glass

Code: H00A12



Aluminium reflectors
Different beam angle, anti glare effect, black/silvery color options.

Code: H00D09 (90°)

Specifications - HB31 LED High Bay

Version: 3.0



Ceiling mount bracket

SPCC materials with outdoor powder coating, Non adjustable.

Code: BC-H31-01



Safety chain

safety chain
(250mm chain, 8+8=340mm)

Code: SC-H01-01a

Specifications - HB35 LED High Bay Light

Version: 3.0



Electrical Information					
Model No.	HB35-100	HB35-120	HB35-150	HB35-200	HB35-240
Power Consumption(±5%)	100W	120W	150W	200W	240W
Power Supply	SOSEN				
Input Voltage	100-240 VAC 50 / 60 Hz				
Power Factor	>0.95				
Surge Protection	6kV line-line,10kV line-earth				
Driver Type	Constant Current (CC)				
Control	Dimmable, DALI, Microwave Sensor Zigbee Wireless Control				

Optic Information					
LED Type	LED 3030				
Luminous Flux (±10%)	14500lm	17400lm	21750lm	29000lm	36000lm
Efficacy (5000K Ra80)	145 LM/W				150 LM/W
Correlated Color Temperature	5000K (3000K, 4000K optional)				
Color Rendering Index	Ra80				
Beam Angle	H55601/H55602/H00108/H00111/H00115/H00121				
UGR level	<25				

Dimensions and Mount					
Product Dimension	φ365 x 244mm				
Luminaire Net Weight	5.5±0.3kg		5.6±0.3kg		5.7±0.3kg
Export Carton Size	410×410×240mm				
Gross Weight	6.8±0.3kg		6.9±0.3kg		7.0±0.3kg
Mounting Option	Loop Hanging Ceiling Mounting				
Material	Aluminum Alloy Polycarbonate Optical Lens				
Finish	Powder Coating				
Fixture Color	Black				
EPA	NA				
IK Rating	IK10				
IP Rating	IP65				

Lifespan and Warranty	
Operating Temperature	-30°C to + 50°C
Life Time of LED @Ta=25°C	53,000hrs-L90
	82000hrs-L80
	131000hrs-L70
Warranty	5 Years

New Features	
* Please consult us for details.	

Description

Built-in microwave sensor makes HB35 compact and looks small. No dust accumulation design will help the fixture better heat dissipation and work longer. HB35 high bay will be an excellent luminaire for heavy dust area, like carpenter workshop, paper processing area, etc.

Key Features

- Dust-free accumulation design, better heat dissipation.
- Built-in microwave motion sensor, looks much compact.
- Well-sealed with dust tight and waterproof rating of IP65.
- Multiple mounting options.

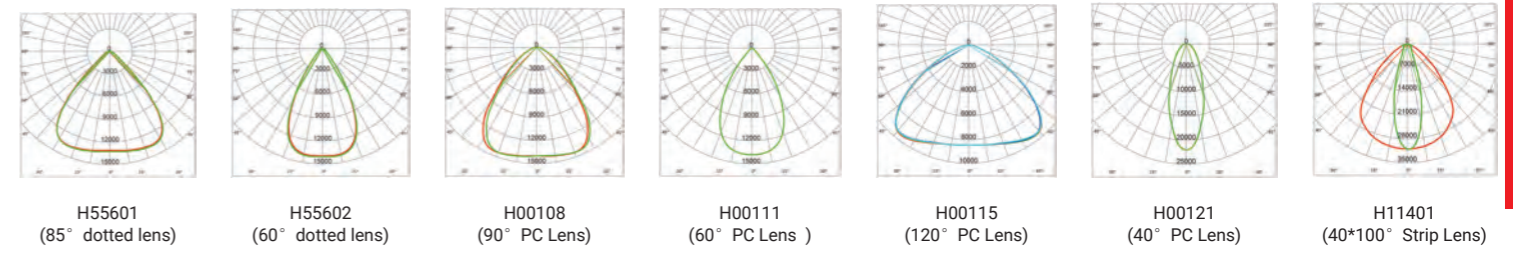
Applications

- Warehouse
- Industrial Facility
- Exhibition Center
- Shopping Mall
- Gymnasium
- Airport
- Toll Station and so on

Specifications - HB35 LED High Bay Light

Version: 3.0

Photometry



Mounting Options



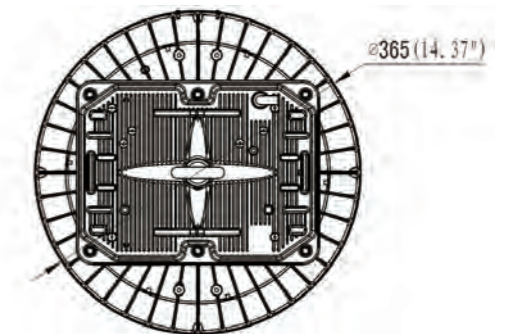
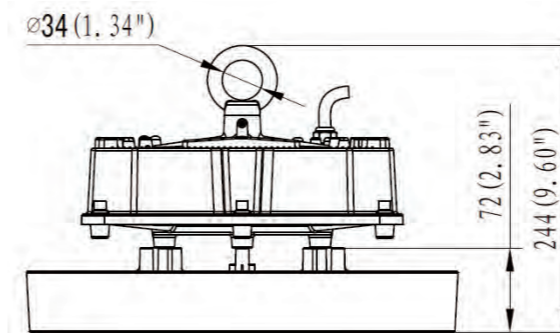
Loop Hanging



Ceiling Mounting

Dimensions

Unit: mm



100W-240W

Accessories



Optic lens

High transmittance PC materials, UV test approval.

Code: please refer to **Photometry** for different beam angle.



Aluminium reflectors

Different beam angle, anti glare effect, black/silvery color options.

Code: H00D09(90°)

Specifications - HB35 LED High Bay Light

Version: 3.0



PC reflector
90° PC reflector with lid.
Code: H00C12



Safety chain
304 stainless steel, available for 0.25m, 1m, 1.5m and 5m long.
Code: SC-H01-01a



PIR sensor
12Vdc input, IP65 rating, max detect height is 15m.



Zigbee wireless controller
1pcs for each luminaire.



Zigbee daylight sensor
An optional sensor control for Zigbee system, 100-277Vac input, IP65 rating.



Ceiling mount bracket
SPCC materials with outdoor powder coating, Non adjustable.
Code: BC-H01-01 (100-240W)
Code: BC-H01-01a (300W)



Microwave motion sensor
12Vdc input, IP65 rating, max detect height is 15m.



Remote controller
For motion sensor and PIR sensor.



Zigbee microwave motion sensor
An optional sensor control for Zigbee system, 100-277Vac input, IP65 rating.



Description

HB37 equipped with high performance LED source, 450W with 160lm/w get up to 72000 total lumen. Perfect replace 1000W HID/Metal Halide lamp. Die-casting Aluminum allows superior thermal management to ensure long lifetime. Multiple beam angle for option, including narrow 15deg to get directional illumination to far distance. Fixtures are rated for ambient operating temperature range -30°C to 50°C. Superior design with IP66 waterproof, as ideal solution for indoor high ceiling mounting in factory, warehouse, sports hall and outdoor high mast application.

Key Features

- UFO shape high power high bay and floodlight.
- 450W delivers high lumen package 72,000lm.
- Lighter weight heat sink but has good thermal management too.
- HB37 is the best retrofit choice of 1000W old high bay

Applications

- High ceiling application
- Large equipment factory
- Exhibition Center
- Stadium Hangar/Airport

Specifications - HB37 LED High Bay Light

Version: 3.0

Electrical Information

Model No.	HB37-450
Power Consumption (±5%)	450W
Power Supply	Inventronics
Input Voltage	100-240 VAC, 50 / 60 Hz
Power Factor	≥0.92
Surge Protection	6kV line-line, 10kV line-earth
Driver Type	Constant Current (CC)
Control	dimnable, DALI, Daylight Sensor, Microwave Sensor, PIR Sensor Zigbee Wireless Control

Optic Information

LED Type	LED 5050	LED 3737
Luminous Flux (±5%)	72000LM	63000LM
Efficacy(5000K Ra70)	160 LM/W	140 LM/W
Correlated Color Temperature	5000K (3000K, 4000K optional)	
Color Rendering Index	Ra70 (Ra80 optional)	
Beam Angle	H31201, H31202, H31203	H29201
UGR level	22 (H29201)	

Dimensions and Mount

Product Dimension	φ426x260mm (φ16.77" x10.24")
Luminaire N.W	13.2±0.3kg (29.10±0.66Lbs)
Export Carton Size	490x320x495mm (19.29" x12.60" x 19.49")
Gross Weight	15±0.3kg(33.07±0.66Lbs)
Mounting Option	Loop Hanging Bracket Mounting
Material	Aluminum Alloy Polycarbonate Optical Lens
Finish	Powder Coating
Fixture Color	Black
EPA	NA
IK Rating	IK08
IP Rating	IP65

Lifespan and Warranty

Operating Temperature	-30°C to + 50°C(-22°F to 122°F)
Life Time of LED @Ta=25°C	82000hrs-L80 131000hrs-L70
Warranty	5 Years

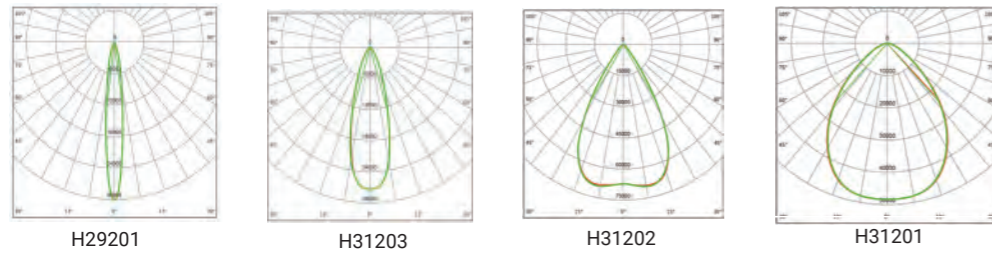
New Features

**Please consult us for details.*

Specifications - HB37 LED High Bay Light

Version: 3.0

Photometry



Mounting Options



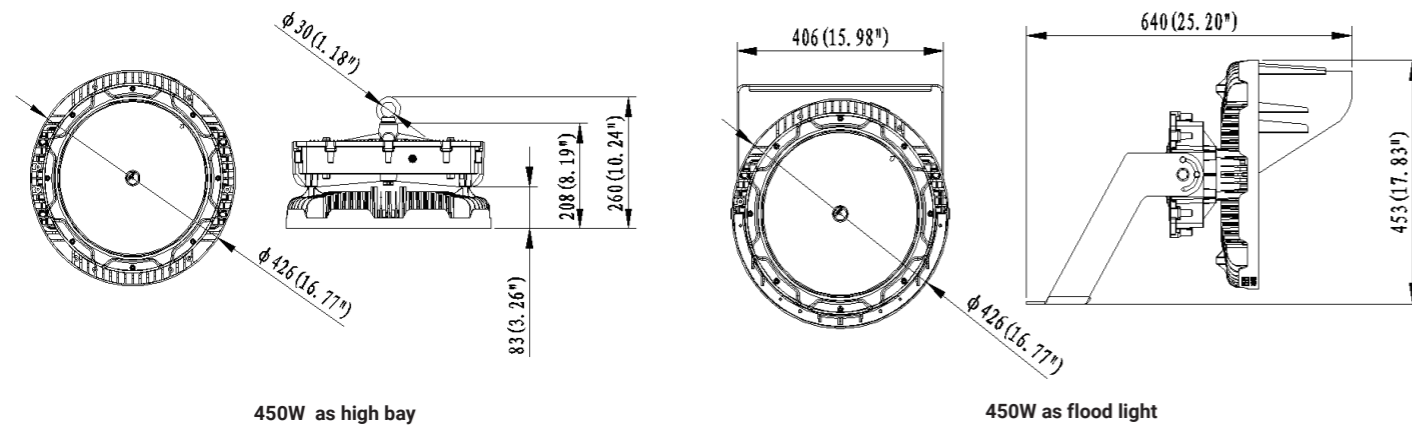
Loop mounting



Bracket Mounting

Dimensions

Unit:mm



Accessories



Optic lens

High transmittance PC materials, UV test approval.

Code: please refer to **Photometry** for different beam angle.



Aluminium reflectors

Different beam angle, anti glare effect, black/silvery color options.

Code: H00D06 (90°)
Code: H00D07 (100°)

Specifications - HB37 LED High Bay Light

Version: 3.0



±90°adjustable bracket

SPCC materials with outdoor powder coating.

Code: BC-H17-01



Safety chain

304 stainless steel, available for 0.25m, 1m, 1.5m and 5m long.

Code: SC-H06-03



Microwave motion sensor

120-277Vac input, IP65 rating, max detect height is 15m.

Remote controller



Zigbee wireless controller

1pcs for each luminaire.

Zigbee gateway

1pcs can control 100pcs fixtures.



Zigbee microwave motion sensor

An optional sensor control for Zigbee system, 100-277Vac input, IP65 rating.



Visor

90°PC reflector with lid.

Code: BC-H17-02



Daylight sensor

1-10V DC input, IP20 rating, daylight Harvesting function.



PIR sensor

120-277Vac input, IP65 rating, max detect height is 15m.



Zigbee daylight sensor

An optional sensor control for Zigbee system, 100-277Vac input, IP65 rating.

Specifications - HB39 LED High Bay Light

Version: 3.0



Description

HB39 is a medium/high-end dustproof clean lamp, suitable for retail and wholesale. A variety of installation methods, lifting ring, hook, hanging pipe optional, and beautiful appearance, light weight, appearance diameter of about 400mm.

Key Features

- Light efficiency: 140lm/w
- Multiple lighting distribution option, dotted lens with better glare control.
- Built-in motion sensor, more compact size
- Various accessories are available- IP66 & IP69K/IK08 double protection

Applications

- Warehouse
- Industrial Facility
- Exhibition Center
- Shopping Mall
- Gymnasium
- Airport
- Toll Station and so on

Electrical Information			
Model No.	HB39-100	HB39-120	HB39-150
Power Consumption(±5%)	100W	120W	150W
Power Supply	SOSEN		
Input Voltage	100-240 VAC 50 / 60 Hz		
Power Factor	>0.95		
Surge Protection	4kV line-line, 4kV line-earth		
Driver Type	Constant Current (CC)		
Control	dimmable, DALI, Microwave Sensor Zigbee Wireless Control		

Optic Information			
LED Type	LED 3030		
Luminous Flux (±10%)	14000lm	16800lm	21000lm
Efficacy(5000K Ra80)	140lm/W		
Correlated Color Temperature	5000K (3000K, 4000K optional)		
Color Rendering Index	Ra80		
Beam Angle	H00125, H00128, H00129		
UGR level	<28		

Dimensions and Mount

Product Dimension	φ398×211mm
Luminaire Net Weight	4.66±0.3kg
Export Carton Size	450x450x245mm
Gross Weight	5.9±0.3kg
Mounting Option	Loop Hanging Hook Mounting, Pipe Mounting
Material	Aluminum Alloy Polycarbonate Optical Lens
Finish	Powder Coating
Fixture Color	White
EPA	NA
IK Rating	IK08
IP Rating	IP66 & IP69K

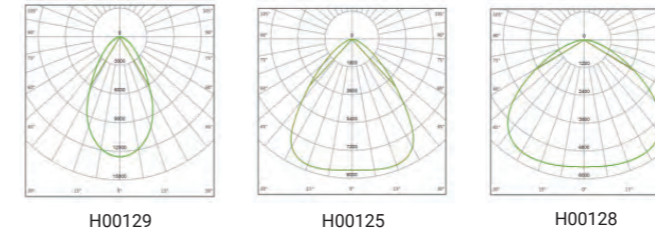
Lifespan and Warranty

Operating Temperature	-30°C to + 45°C
	53,000hrs-L90
Life Time of LED @Ta=25°C	82000hrs-L80
	131000hrs-L70
Warranty	5 Years

New Features

* Please consult us for details.

Photometry

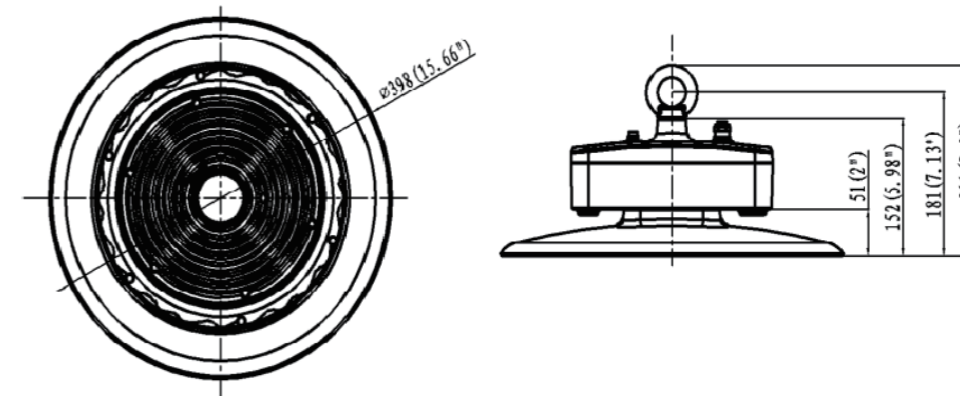


Mounting Options



Dimensions

Unit:mm





Optic lens
High transmittance PC materials, UV test approval.
Code: please refer to **Photometry** for different beam angle.



Aluminium reflectors
Different beam angle, anti glare effect, black/silvery color options.
Code: H00D02 (90°)
Code: H00D04 (110°)
Code: H00D03 (65°)



PC reflector
90° PC reflector with lid.
Code: H00C01A+H00C01B (90°)



Safety rope
304 stainless steel, available for 0.25m, 1m, 1.5m and 5m long.
Code: SC-H01-01a



Microwave motion sensor
12Vdc input, IP65 rating, max detect height is 15m.



Specifications - HB43 Swirl LED High Bay

Version: 3.0

Electrical Information				
Model No.	HB43-100	HB43-120	HB43-150	HB43-200
Power Consumption(±5%)	100W	120W	150W	200W
Power Supply	Sosen			
Input Voltage	100-240VAC, 50 / 60 Hz			
Power Factor	>0.95			
Surge Protection	4kV line-line, 4kV line-earth			
Driver Type	Constant Current (CC)			
Control	Dimmable and Non-dimmable, Microwave Motion Sensor PIR Sensor			

Optic Information				
LED Type	LED 3030			
Luminous Flux (±10%)	15000lm	18000lm	22500lm	30000lm
Efficacy(5000K Ra70)	150lm/W			
Correlated Color Temperature	5000K (3000K, 4000K optional)			
Color Rendering Index	Ra70 (Ra80 optional)			
Beam Angle	H00130 (Wide/Medium/Narrow adjustable)			
UGR level	28			

Description

Swirl has an exquisite and compact design, as like butterfly spreading wings to dancing. Die-casting robust housing with anti-corrosion surface treatment and ingenious air cross-ventilation structure design support superior heat dissipation conditions to ensure a long lifespan. With the zoomable optic design, 65°/85°/100° are changeable through simple rotation on optics. No need to change the lens anymore. One model in stock means 3 solutions in hand.

Key Features

- Adjustable light distributions for different project needs
- Lumen output selectable, one fixture for four wattage.
- Compatible with PIR & Microwave motion sensor
- Large size heat sink helps the body better heat dissipation
- PC and ALU Reflectors are available.

Applications

- Warehouse
- Industrial Facility
- Exhibition Center
- Shopping Mall
- Gymnasium
- Airport
- Toll Station and so on.

Dimensions and Mount

Product Dimension	φ290×167mm		φ320×167mm
Luminaire Net Weight	2.0±0.3kg	2.3±0.3kg	3.0±0.3kg
Export Carton Size	350x350x227mm		380x380x225mm
Gross Weight	2.8±0.3kg	3.1±0.3kg	4.2±0.3kg
Mounting Option	Loop Hanging Ceiling Mounting		
Material	Aluminum Alloy Polycarbonate Optical Lens		
Finish	Powder Coating		
Fixture Color	Black		
EPA	NA		
IK Rating	IK07		
IP Rating	IP42		

Lifespan and Warranty

Operating Temperature	Normal : -30°C to + 50°C Sensor version : 0°C to + 50°C
Life Time of LED @Ta=25°C	80000 hrs-L80 127000 hrs-L70
Warranty	5 Years

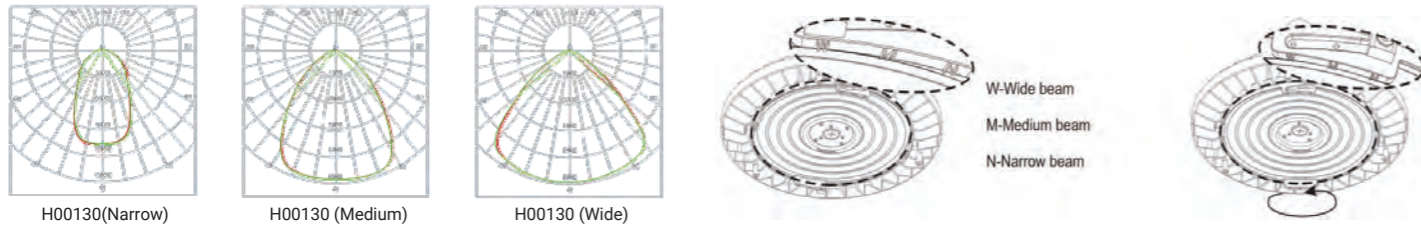
New Features

* Please consult us for details.

Specifications - HB43 Swirl LED High Bay

Version: 3.0

Photometry



Mounting Options



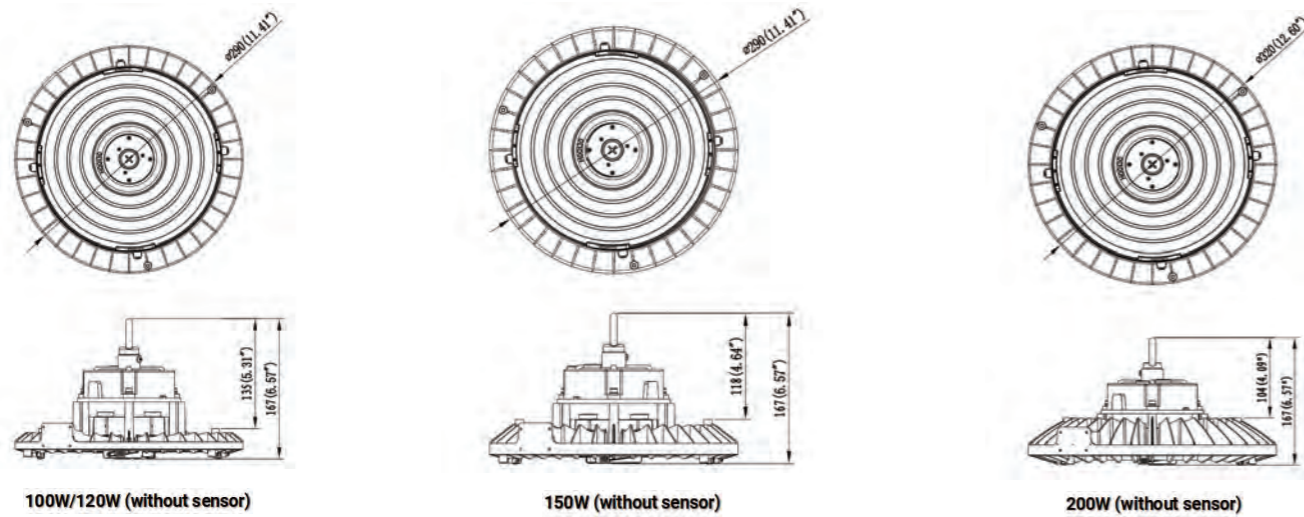
Loop hanging



Ceiling mounting

Dimensions(Unit: mm/inch)

Unit:mm



Accessories



Aluminium reflectors
Different beam angle, anti glare effect, black/silvery color options.
Code: H00D02 (90°)
Code: H00D04 (110°)
Code: H00D03 (65°)



PC reflector
90° PC reflector with lid.
Code: H00C01A+H00C01B (90°)

Specifications - HB43 Swirl LED High Bay

Version: 3.0

HB43



Safety chain
304 stainless steel, available for 0.25m, 1m, 1.5m and 5m long.
Code: SC-H01-01a



PIR sensor
12Vdc input, IP65 rating, max detect height is 15m.



±45° adjustable bracket
SPCC materials with outdoor powder coating.
Code: BC-H12-01



Microwave motion sensor
12Vdc input, IP65 rating, max detect height is 15m.



Remote controller
For motion sensor and PIR sensor.



Microwave motion sensor
12Vdc input, IP65 rating, max detect height is 15m.



Specifications - HB46 LED High Bay Light

Version: 3.0



Description

The LED Round High Bay HB46 delivers top of the line efficiency, durability and versatility. The polycarbonate prismatic lens distributes even illumination, minimizing glare while also guaranteeing long term durability. The Plug and play sensor would reduce energy consumption and cost significantly.

Key Features

- Polycarbonate Prismatic Lens brings Visual Comfort to eyes
- 100-277V & 277-480V available
- Aesthetics Outlook
- Hook, pendant or yoke mounting
- IP65, IP69K rated
- Plug-and-play Sensor optional

Applications

- Warehouse & storage
- Industrial facilities
- Sports facilities & gyms
- Manufacturing facilities
- Gymnasium
- Airport
- Retail centers

Electrical Information			
Model No.	HB46-100	HB46-150	HB46-200
Power Consumption(±5%)	100W	150W	200W
Power Supply	SOSEN		
Input Voltage	100-277 VAC /277-480 VAC, 50 / 60 Hz		
Power Factor	>0.92		
Surge Protection	2kV line-line, 4kV line-earth		
Driver Type	Constant Current (CC)		
Control	dimmable, Plug-and-Play PIR sensor, Microwave Sensor Zhaga Socket, Zigbee Wireless Control		

Optic Information			
LED Type	LED 2835		
Luminous Flux (±10%)	14000lm	21000lm	28000lm
Efficacy(5000K Ra80)	140lm/W		
Correlated Color Temperature	5000K (4000K optional)		
Color Rendering Index	Ra80		
Beam Angle	H00C15 / H01401		H00C14/H01501
UGR level	<28 (H01401/H01501)		

Dimensions and Mount

Product Dimension	φ320x208mm (φ12.60"x8.19")		φ360x208mm (φ14.17"x8.19")
Luminaire Net Weight	3.68±0.2kg (8.11±0.44Lbs)	3.73±0.2kg (8.22±0.44Lbs)	4.38±0.2kg (9.65±0.44Lbs)
Export Carton Size	400x400x205mm(15.75"x15.75"x8.07")		
Gross Weight	4.63±0.3kg (10.2±0.66Lbs)	4.67±0.3kg (10.29±0.66Lbs)	5.51±0.3kg (12.15±0.66Lbs)
Mounting Option	Hook Hanging Yoke Mounting, Pendant Mounting		
Material	Aluminum Alloy Polycarbonate Optical Lens		
Finish	Powder Coating		
Fixture Color	White		
EPA	NA		
IK Rating	IK10		
IP Rating	IP65 & IP69K		

Lifespan and Warranty

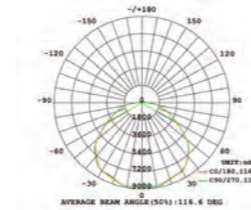
Operating Temperature	-30°C to + 45°C (-22°F to 113°F)
Life Time of LED @Ta=25°C	38546 hrs-L90 81637 hrs-L80 130490 hrs-L70
Warranty	5 Years

New Features

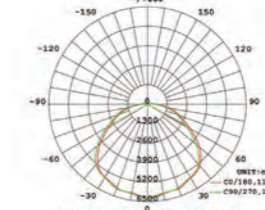
* Please consult us for details.

Specifications - HB46 LED High Bay Light

Photometry



H00C14 (200W)



H00C15 (100W/150W)

Mounting Options

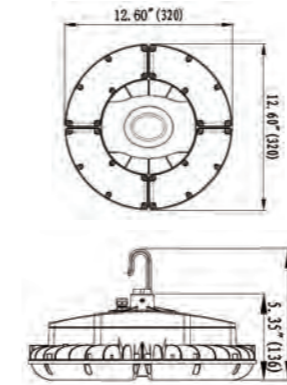


Hook Mounting

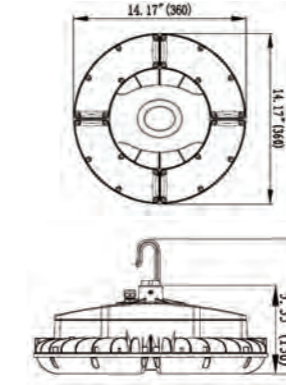


Yoke Mounting

Dimensions



100W/150W



200W

Unit:mm

Accessories



Plug-and-play Bi-level Microwave Motion Sensor

Code: ANT-5-4T



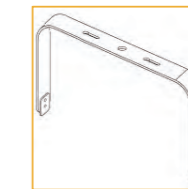
Plug-and-play Bi-level PIR Sensor

Code: ANT-6-4T



Remote Controller for ANT-6-4T & ANT-5-4T

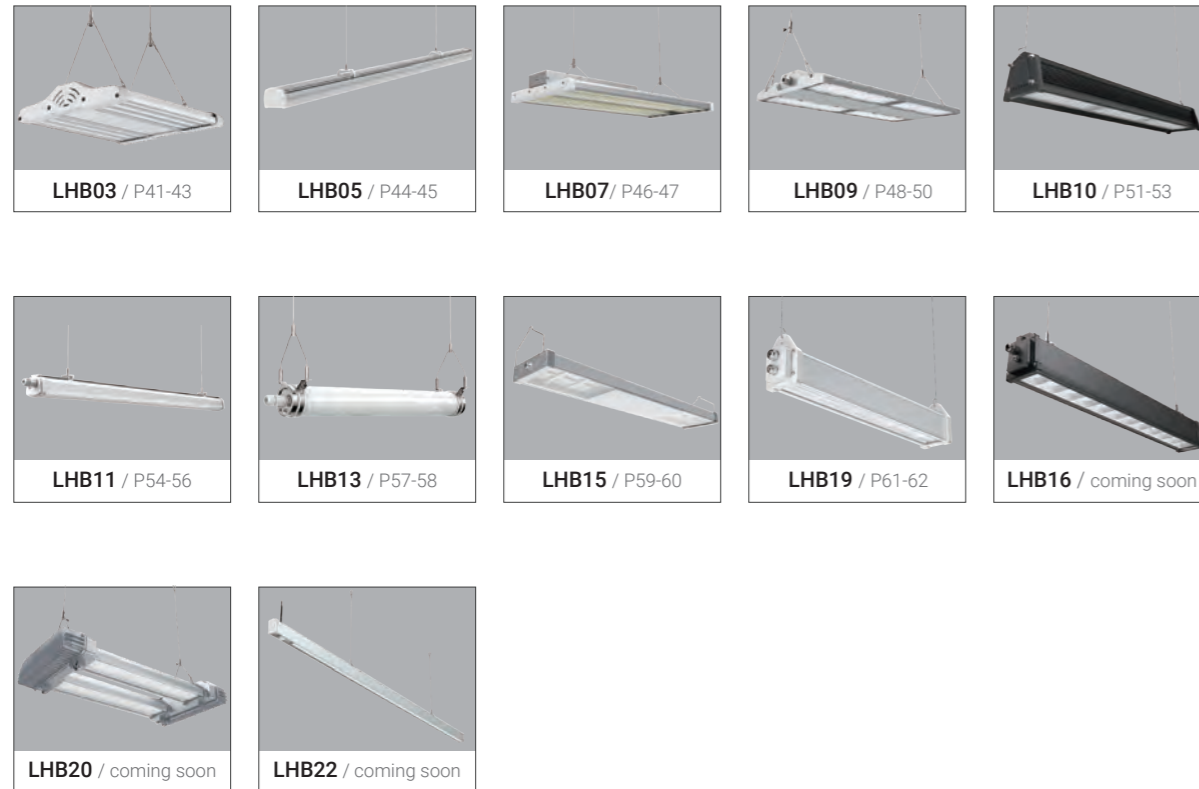
Code: RC-100














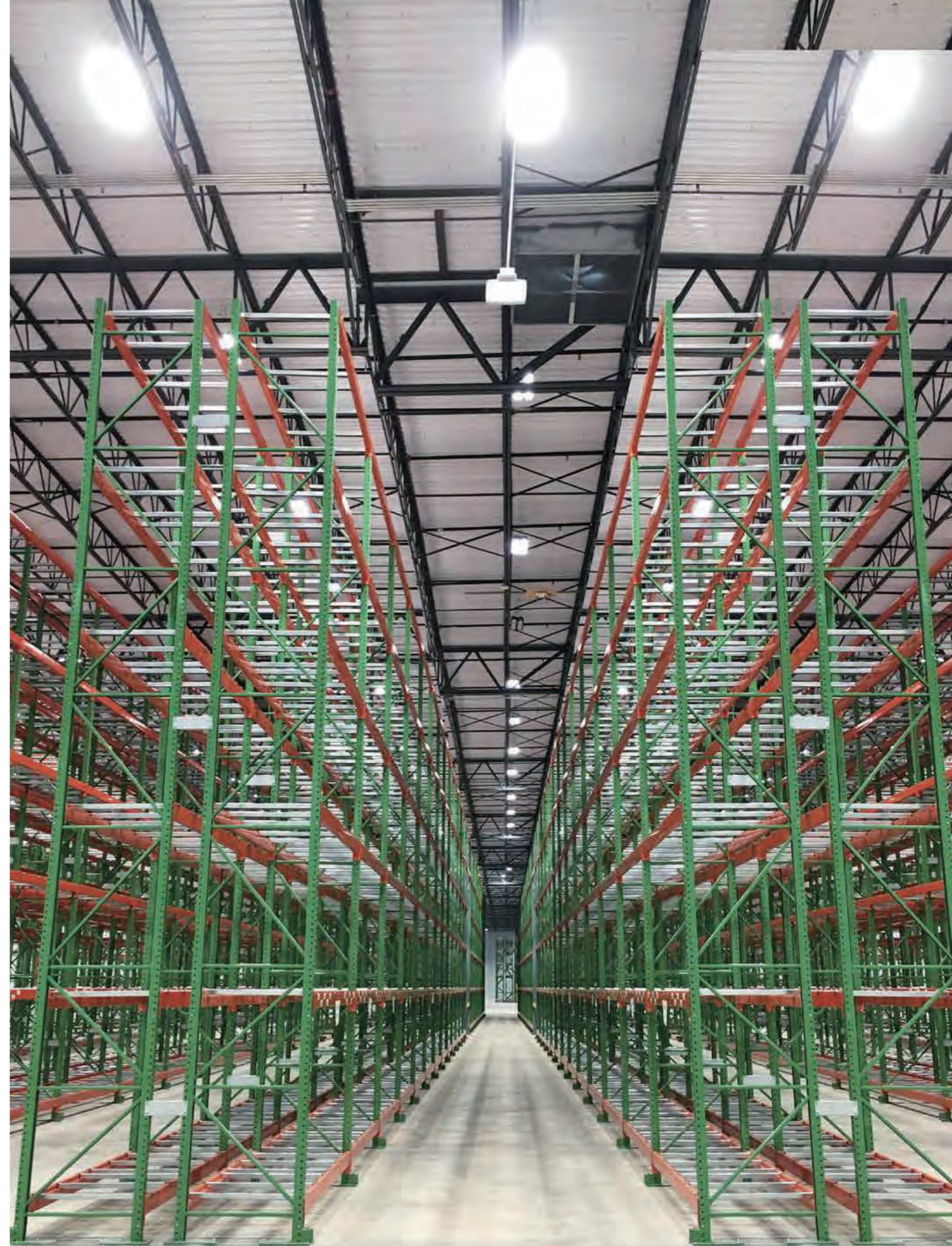
Yoke mount bracket

Code: To be determined

High-Bay Aisle Luminaires



-  LOW UGR
-  Ball test approval
-  Lumen output field adjustable
-  High efficiency
-  IP65 / IP66
-  Linear Trunking Systems
-  High-temperature
-  Food processing
-  Linkable Linear Light
-  CCT Adjustable
-  Commercial/Retail Lighting



Specifications - LHB03 HiPanel LED Linear Light

Version: 3.1



Electrical Information						
Model No.	LHB03-060	LHB03-090	LHB03-120	LHB03-150	LHB03-180	LHB03-300
Power Consumption(±5%)	60W	90W	120W	150W	180W	300W
Power Supply	MEAN WELL, INVENTRONICS					
Input Voltage	100-240 VAC, 50 / 60 Hz					
Power Factor	>0.93					
Surge Protection	2kV line-line, 4kV line-earth					
Driver Type	Constant Current (CC)					
Control	dimmable, DALI control, Microwave Sensor, Zigbee Wireless Control					

Optic Information						
LED Type	LED 3030					
Luminous Flux (±10%)	7800LM	11700LM	15600LM	19500LM	23400LM	39000LM
Efficacy(5000K Ra70)	130LM/W					
Correlated Color Temperature	5000K (3000K, 4000K optional)					
Color Rendering Index	Ra70 (Ra80 optional)					
Beam Angle	L00301, L00302, L00303, L00304, L00305, L00306					
UGR level	NA					

Description

HiPanel generates professional lighting distributions, perfectly matching different applications. The fixture provides an intelligent solution which could save more than 90% energy. Its specially-designed lens solves glare problem and provides more soft light for supermarket, warehouse lifter, exhibition center, etc.

Key Features

- 60W - 90W - 120W - 150W - 180W - 300W
- Up to 135 Lumens per Watt
- Seven types of lens optional. Anti-glare control.
- Replaces traditional T5, T8.
- CCT: 3000K - 4000K - 5000K, CRI>70/CRI>80 optional
- Integrated smart controls: DALI, 1-10V dimming, motion sensor, Zigbee.
- Ambient temperature range is from -30°C to 50°C
- 5 years warranty

Dimensions and Mount

Product Dimension	336×307×61mm	621×307×61mm	906×307×61mm
Luminaire Net Weight	3.8±0.3kg	6.6±0.3kg	10.2±0.3kg
Export Carton Size	395×175×360mm	680×175×360mm	965×105×360mm
Gross Weight	4.4±0.3kg	7.2±0.3kg	11.4±0.3kg

Mounting Option	Suspension Mounting Ceiling Mounting
Material	Aluminum Alloy
Finish	Powder Coating
Fixture Color	Silvery
EPA	NA
IK Rating	IK10
IP Rating	IP20

Lifespan and Warranty

Operating Temperature	-30°C to + 50°C
	64,000hrs-L90
Life Time of LED @Ta=25°C	144,000hrs-L80
	235,000hrs-L70
Warranty	5 Years

New Features

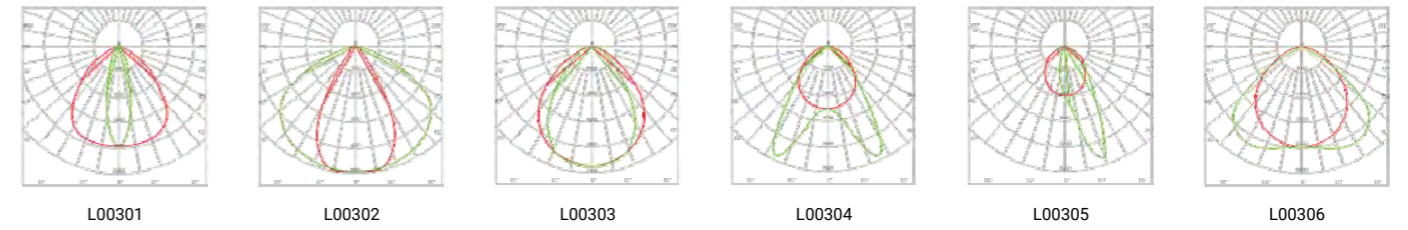
- Emergency backup 8W, illumination time 3 hours.
- Daylight harvesting sensor, microwave sensor and PIR sensor are all compatible.
- ± 45° adjustable brackets
- Easily linkable
- Higher efficacy up to 160lm/w for optional.

* Please consult us for details.

Applications

- Indoor and outdoor high ceiling application
- Warehouse
- Factory
- Industrial facility
- Chemical Facilities
- Exhibition centers
- Shopping malls
- Stadiums
- Toll stations

Photometry



Mounting Options

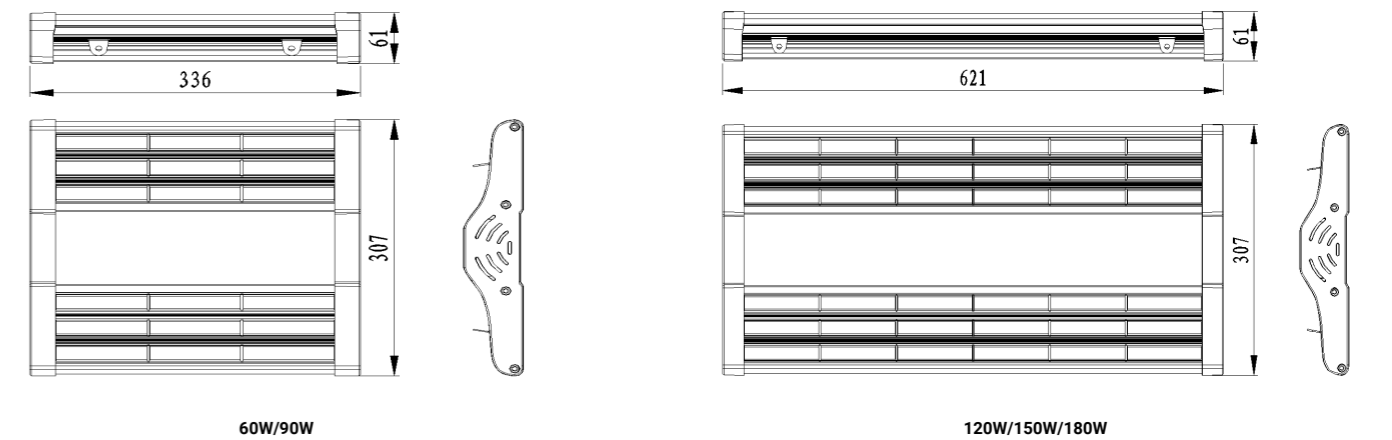


Suspension mounting



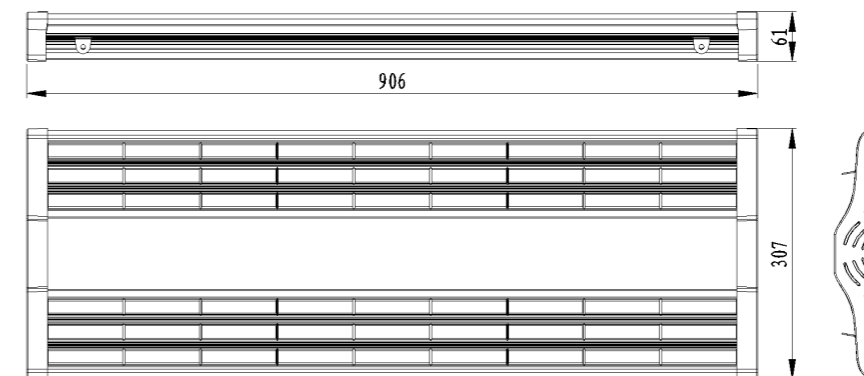
Ceiling mounting

Dimensions



60W/90W

120W/150W/180W



300W



Microwave motion sensor
120-277Vac input, IP65 rating, max detect height is 15m.

Remote control



PIR sensor
120-277Vac input, IP65 rating, max detect height is 15m.



Daylight sensor
1-10V DC input, IP20 rating, daylight Harvesting function.



Zigbee wireless control
1pcs for each luminaire.

Zigbee gateway
1pcs can control 100pcs fixtures.



Zigbee daylight sensor
An optional sensor control for Zigbee system, 100-277Vac input, IP65 rating.



Zigbee microwave motion sensor
An optional sensor control for Zigbee system, 100-277Vac input, IP65 rating.



Ceiling mount bracket
SPCC materials.

Code: BC-L03-01



Specifications - LHB05 HiSlim LED Linear High Bay Light

Version: 3.0

Electrical Information			
Model No.	LHB05-040	LHB05-065	LHB05-075
Power Consumption(±5%)	40W	65W	75W
Power Supply	OSRAM		
Input Voltage	220-240 VAC , 50 / 60 Hz		
Power Factor	≥0.90		
Surge Protection	1kV line-line, 2kV line-earth		
Driver Type	Constant Current (CC)		
Control	DALI		

Optic Information			
LED Type	LED 3030		
Luminous Flux (±10%)	6200LM	10075LM	11625LM
Efficacy(5000K Ra70)	155lm/W		
Correlated Color Temperature	5000K (3000K,4000K optional)		
Color Rendering Index	Ra70		
Beam Angle	L00301, L00302, L00303 L00304, L00305, L00306		
UGR	NA		

Description

The linkable linear light can be used in lighting projects of supermarket and shopping-mall, etc.

Key Features

- System efficacy reaches up to 155lm/W
- High performance design with Nichia SMD.
- Multiple light distributions for different project needs
- 120W-180W HID Equivalent.

Applications

- Warehouse
- Supermarket
- Shopping-mall
- Retail Store

Dimensions and Mount

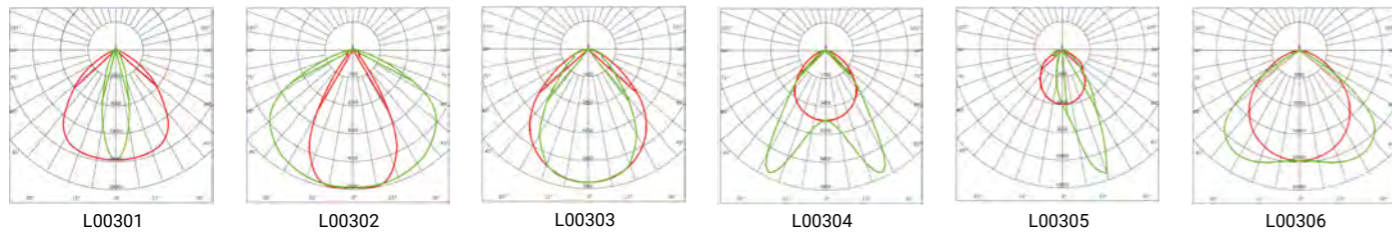
Product Dimension	1532×61×53mm
Luminaire Net Weight	2.2±0.3kg
Export Carton Size	1600×250×160mm(6 pieces per carton)
Gross Weight	16.7Kg(6pcs)
Mounting Option	Suspension mounting
Material	Aluminum Alloy Polycarbonate Optical Lens
Finish	Sand blasting
Fixture Color	Aluminum color
EPA	NA
IK Rating	NA
IP Rating	IP20

Lifespan and Warranty

Operating Temperature	-20°C to + 45°C
	71000hrs-L80
Life Time of LED @Ta=25°C	156000hrs-L80
	252000hrs-L70
Warranty	5 Years

New Features

* Please consult us for details.

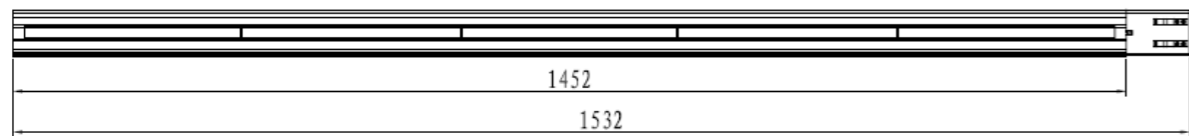


Mounting Options



Suspension mounting

Dimensions

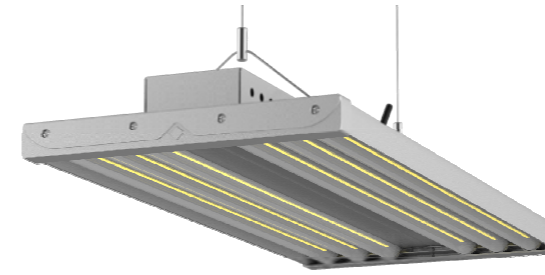


Unit:mm



Specifications - LHB07 LED Linear High Bay Light

Version: 3.0



Electrical Information			
Model No.	LHB07-080/T	LHB07-120/T	LHB07-180/T
Power Consumption(±5%)	80W	120W	180W
Power Supply	SOSEN		
Input Voltage	100-240 VAC / 100-277 VAC, 50 / 60 Hz		
Power Factor	≥0.92		
Surge Protection	4kV line-line, 6kV line-earth		
Driver Type	Constant Current (CC)		
Control	Motion sensor, PIR sensor, Zigbee Wireless Control		

Optic Information			
LED Type	SMD 2835		
Luminous Flux (±10%)	11600LM	17400LM	26100LM
Efficacy(4000K Ra70)	145lm/W		
Correlated Color Temperature	5000K (3000K,4000K optional)		
Color Rendering Index	Ra80		
Beam Angle	L00C01		

Description

HIFly A is a high-performance, classy and cost-effective solution. This energy-efficient high bay is ideal for supermarket, office, warehouses, gyms, distribution centers, industrial applications.

Key Features

- System efficacy reaches up to 145lm/W @5000K Ra80
- Private tooling and compact design.
- Multiple light distributions for different project needs.
- Junction box for safe wiring and smart control options.
- 5 years warranty

Dimensions and Mount

Product Dimension	675x305x72mm		
Luminaire Net Weight	4.4±0.3kg		4.6±0.3kg
Export Carton Size	735x120x365mm		
Gross Weight	5.1±0.3kg		5.3±0.3kg
Mounting Option	Suspension mounting		
Material	Aluminum Alloy Polycarbonate Optical Lens		
Finish	Sand blasting, anodizing		
Fixture Color	Aluminum color		
EPA	NA		
IK Rating	NA		
IP Rating	IP20		

Lifespan and Warranty

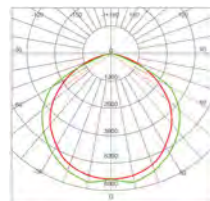
Operating Temperature	-30°C to + 45°C		
Life Time of LED @Ta=25°C	82000hrs-L80		
	52000hrs-L70		
Warranty	5 Years		

Applications

- Warehouse
- Shopping Mall
- Super-market

New Features

* Please consult us for details.



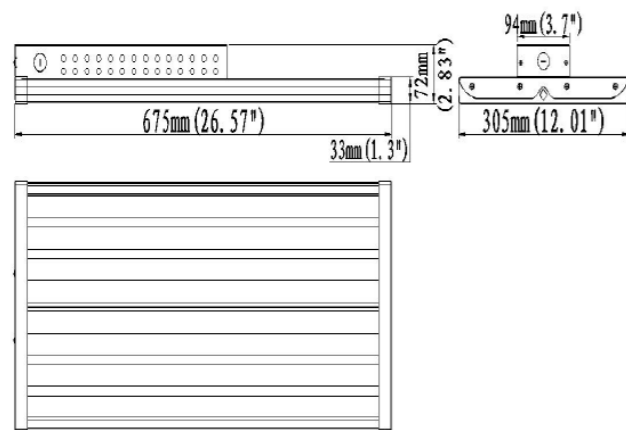
L00C01

Mounting Options



Suspension mounting

Dimensions



Accessories

Microwave motion sensor
120-277Vac input, IP65 rating, max detect height is 15m.
Remote control

PIR sensor
120-277Vac input, IP65 rating, max detect height is 15m.

Daylight sensor
1-10V DC input, IP20 rating, daylight Harvesting function.

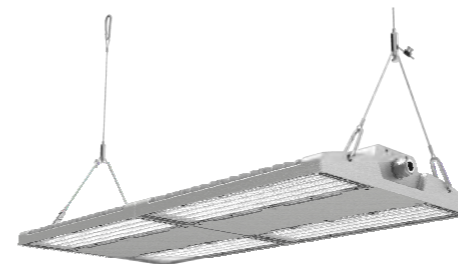
Zigbee wireless control
1pcs for each luminaire.
Zigbee gateway
1pcs can control 100pcs

Zigbee microwave motion sensor
An optional sensor control for Zigbee system, 100-277Vac input, IP65 rating.

Zigbee daylight sensor
An optional sensor control for Zigbee system, 100-277Vac input, IP65 rating.

Specifications - LHB09 Refinado LED Linear Light

Version: 3.0



Description

Refined with IP66 equal for indoor & outdoor application, it continues to improve integral and customized intelligent control: PIR Sensor, Microwave Motion Sensor, photocell, Zigbee, as well as DALI, emergency function for huge energy saving. Further more, we could do some customization, such as 180LM/W, LED power adjustable, CCT select-able, Anti-glare grille lens, wire guard...etc.

Key Features

- 100W/150W/200W/240W/300W/400W/480W
- 155lm/W
- Low UGR
- IP66 IK10 rated
- Specialized asymmetrical optic 25°*85° for aisle, workshop and warehouse.
- Smart control all in one, including PIR, Microwave motion sensor, photocell, Zigbee, DALI, Emergency.
- Pendant mounting, pipe mounting for multiple installation.

Applications

- Indoor and outdoor high ceiling application
- Warehouse
- Factory
- Industrial facility
- Exhibition centers
- Stadiums
- Toll stations

Electrical Information

Model No.	LHB09-100	LHB09-150	LHB09-200	LHB09-240	LHB09-300	LHB09-400	LHB09-480
Power Consumption(±5%)	100W	150W	200W	240W	300W	400W(±3%)	480W(±3%)
Power Supply	SOSEN						
Input Voltage	220-240 VAC						
Power Factor	>0.91						
Surge Protection	6kV line-line, 10kV line-earth						
Driver Type	Constant Current (CC)						
Control	Dimmable/DALI Control / ZigBee Control Microwave sensor / PIR sensor						

Optic Information

LED Type	LED 3030						
Luminous Flux (±10%)	15500LM	23250LM	31000LM	37200LM	46500LM	62000LM	74400LM
Efficacy(5000K Ra70)	155LM/W						150LM/W
Correlated Color Temperature	5000K (3000K, 4000K optional)						
Color Rendering Index	Ra70 (Ra80 optional)						
Beam Angle	L04501, L00401, L00402, L00403, L04502						
UGR level	NA						

Dimensions and Mount

Product Dimension	340×325×60mm		680×325×60mm		1020×325×60mm		
Luminaire Net Weight	3.5±0.3kg	3.7±0.3kg	6.7±0.3kg	6.8±0.3kg	7.8±0.3kg	10.7±0.3kg	11.1±0.3kg
Export Carton Size	420×385×135mm		760×385×135mm		1100×385×135mm		
Gross Weight	4.2±0.3kg	4.4±0.3kg	7.5±0.3kg	7.6±0.3kg	8.6±0.3kg	11.65±0.3kg	12±0.3kg
Mounting Option	Suspension mounting Ceiling bracket & ±60deg rotatable bracket mounting						
Material	Aluminum Alloy Polycarbonate Optical Lens						
Finish	Powder Coating						
Fixture Color	Silver gray						
EPA	NA						
IK Rating	IK10						
IP Rating	IP66						

Lifespan and Warranty

Operating Temperature	-30°C to + 50°C
Life Time of LED @Ta=25°C	40,000hrs-L90 82,000hrs-L80 131,000hrs-L70
Warranty	5 Years

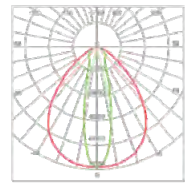
New Features

- Integral Emergency backup 8W, illumination time 3 hours.
- Field-adjustable output for optional.
- Ball test approved.
- Play and plug sensor, external sensor with brackets is for optional
- Easily linkable
- Higher efficacy up to 180lm/w for optional.

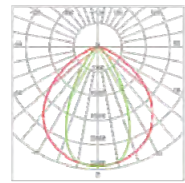
* Please consult us for details.

Photometry

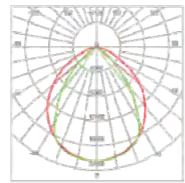
Strip optic lens



L00401
25x85°

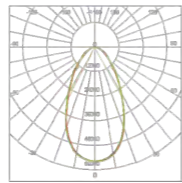


L00402
60x100°

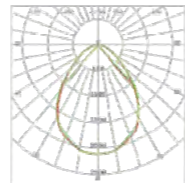


L00403
80x100°

Dotted optic lens



L04501
60°

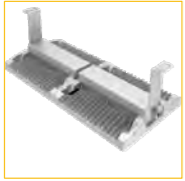


L04502
90°

Mounting Options



Loop mounting

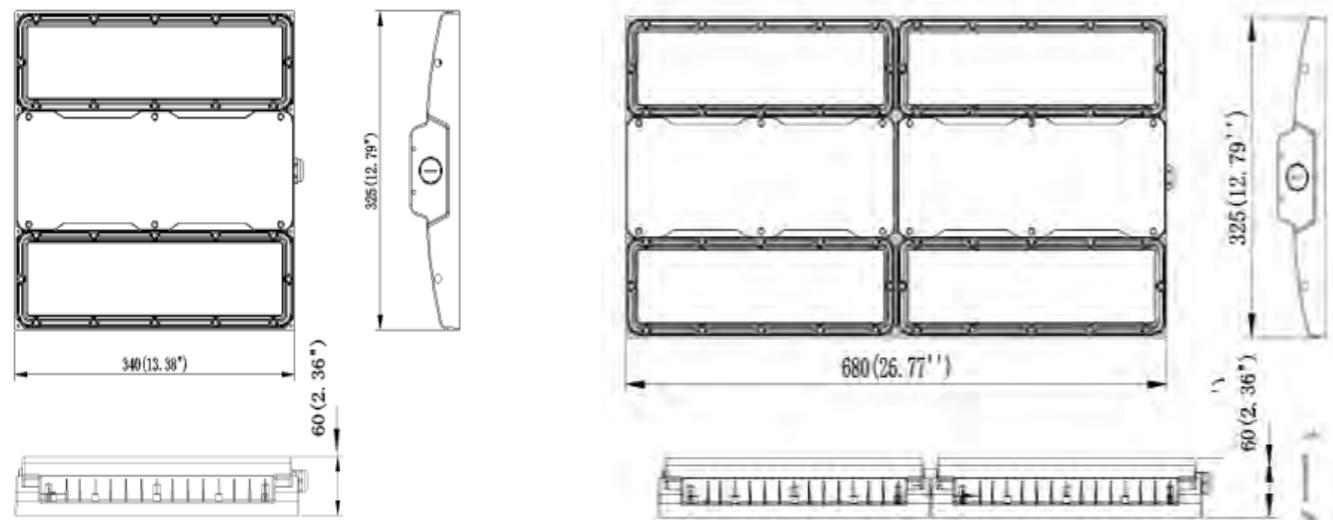


Ceiling mounting



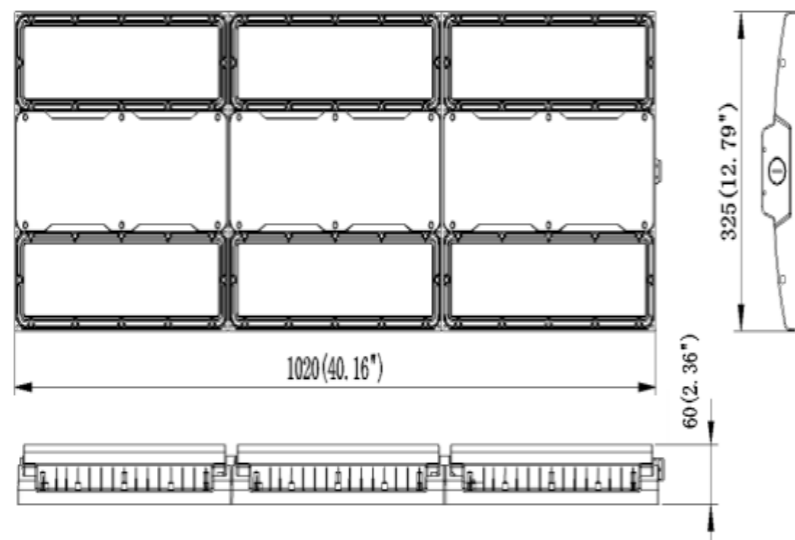
±60° rotatable
bracket mounting

Dimensions



100W/150W

200W/240W/300W



400W/480W

Accessories



Safety line
Stainless steel materials
Code: SL-L09-01



±60deg rotatable bracket
SPCC materials.
Code: BC-L09-01



Ceiling mount bracket
SPCC materials.
Code: BC-L09-02



Microwave motion sensor
120-277Vac input, IP65 rating,
max detect height is 15m.



PIR sensor
120-277Vac input, IP65 rating,
max detect height is 15m.



Daylight sensor
1-10V DC input, IP20 rating,
daylight Harvesting function.



Zigbee wireless control
1pcs for each luminaire.
Zigbee gateway
1pcs can control 100pcs fixtures.



Zigbee daylight sensor
An optional sensor control for
Zigbee system, 100-277Vac input,
IP65 rating.



Zigbee microwave motion sensor
An optional sensor control for Zigbee
system, 100-277Vac input, IP65 rating.



Optic lens
PC materials.
Code: please refer to Photometry

Accessories 2



**plug-and-play microwave
motion sensor**
Installation height: 15M
Code: ANT-5-4T



plug-and-play PIR
Installation height: 12M
Code: ANT-6-4T



**Remote Controller for
ANT-6-4T& ANT-5-4T**
Installation height: 15M
Code: RC-100

Specifications - LHB10 Optimized RackLite LED Linear Light

Version: 3.0



CE CB RoHS SAA

Electrical Information					
Model No.	LHB10-050	LHB10-100	LHB10-150	LHB10-200	LHB10-240
Power Consumption(±5%)	50W	100W	150W	200W	240W
Power Supply	Sosen				
Input Voltage	100-240 VAC, 50/60Hz				
Power Factor	>0.90	>0.92			
Surge Protection	4kV line-line, 6kV line-earth				
Driver Type	Constant Current (CC)				
Control	dimmable, DALI, Daylight Sensor, Microwave Sensor, PIR Sensor Zigbee Wireless Control				

Optic Information					
LED Type	LED 3030				
Luminous Flux (±10%)	6750LM	13500LM	20250LM	27000LM	32400LM
Efficacy(5000K Ra70)	135LM/W				
Correlated Color Temperature	5000K (3000K, 4000K optional)				
Color Rendering Index	Ra70 (Ra80 optional)				
Beam Angle	L06401, L06402, L06403, L06404, L06405				
UGR level	NA				

Description

HiRack LED linear high bay is perfect lighting for aisles in warehouse. Asymmetric optic lens adapts to narrow aisle very well between high shelves. The rectangular light pattern perfectly matches with aisles, which can effectively reduce light loss. And it also can provide intelligent lighting solutions by adding DALI, Zigbee, PIR sensor, motion sensor and daylight harvesting sensor and emergency etc.

Key Features

- Optimized LHB10 50W/100W/150W/200W/240W
- Modular design and excellent performance
- IP65, IK10.
- Long and narrow pattern not only contribute to lighting lux level but also the best uniformity.
- 5 types of beam angle, meet most of the project requirement.
- Lens can be replaced easily, better for stock.
- Multiple mounting options (Suspension mount, Adjustable surface mount).
- Intelligent control for energy saving.

Applications

- Indoor and outdoor high ceiling application
- Warehouse
- Factory
- Industrial facility
- Chemical Facilities
- Exhibition centers
- Shopping malls
- Stadiums
- Toll stations

Dimensions and Mount

Product Dimension	280×137×102mm	486×137×102mm	718×137×102mm	948×137×102mm	1178×137×102mm
Luminaire Net Weight	1.9±0.3kg	3.4±0.3kg	4.7±0.3kg	5.7±0.3kg	6.9±0.3kg
Export Carton Size	350×200×160mm	555×200×160mm	790×200×160mm	1020×200×160mm	1250×200×160mm
Gross Weight	2.3±0.3kg	4.0±0.3kg	5.3±0.3kg	6.5±0.3kg	8.0±0.3kg
Mounting Option	Suspension Mounting Ceiling Mounting				
Material	Aluminum Alloy Polycarbonate Optical Lens				
Finish	Electrophoresis and Powder Coating				
Fixture Color	Black Body, Red or Black End Cap				
EPA	NA				
IK Rating	IK10				
IP Rating	IP65				

Lifespan and Warranty

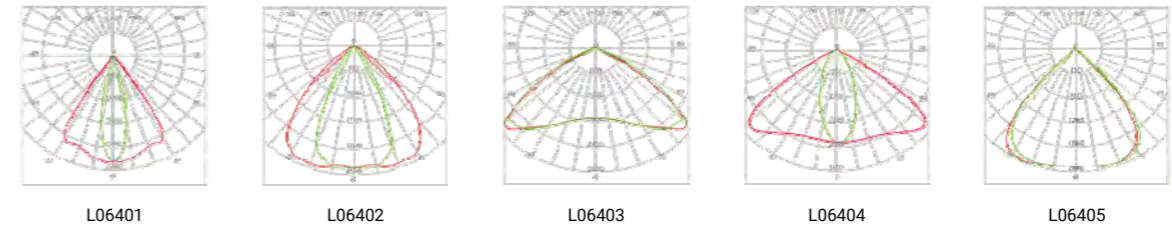
Operating Temperature	-30°C to + 50°C
	52000hrs-L90
Life Time of LED @Ta=25°C	117000hrs-L80 190000hrs-L70
Warranty	5 Years

New Features

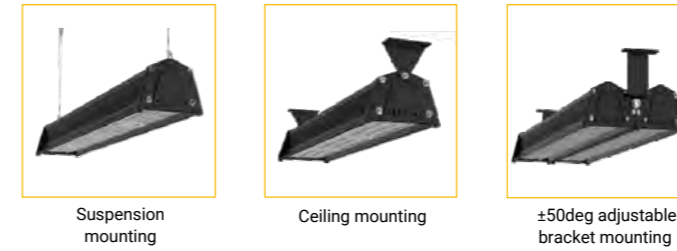
- 60deg, 90deg, fresnel lens available to reduce UGR.
- Built-in emergency battery.
- Linkable solution optional.

* Please consult us for details.

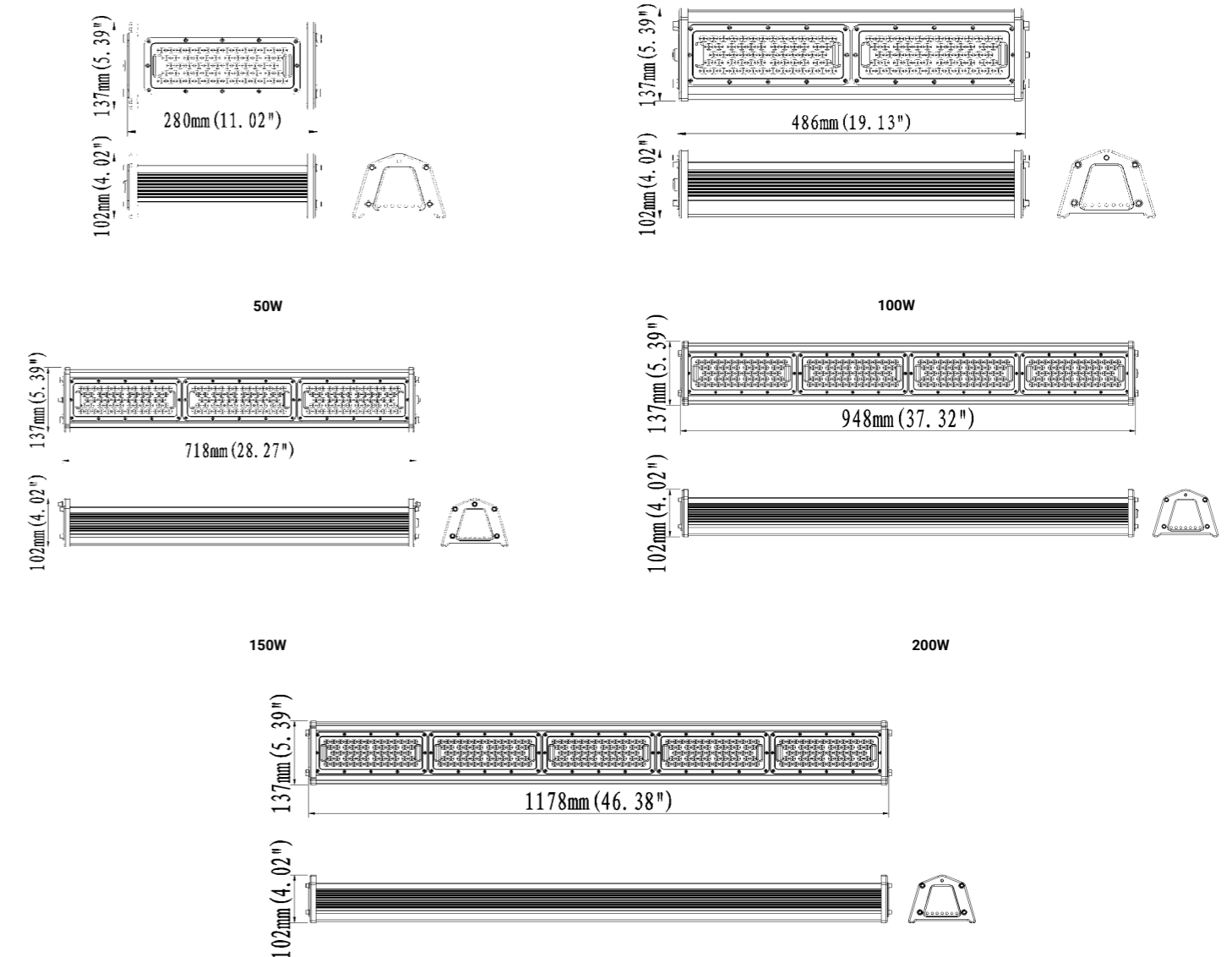
Photometry



Mounting Options



Dimensions





Ceiling mount bracket
Triangle shape, SPCC materials with powder coating.
Code: BC-L01-01a (30W-150W)



±50° adjustable bracket
SPCC materials with powder coating.
Code: BC-L01-02a (30W-150W)



Microwave motion sensor
120-277Vac input, IP65 rating, max detect height is 15m.

Remote control



PIR sensor
120-277Vac input, IP65 rating, max detect height is 15m.



Zigbee wireless control
1pcs for each luminaire.
Zigbee gateway
1pcs can control 100pcs fixtures.



Zigbee daylight sensor
An optional sensor control for Zigbee system, 100-277Vac input, IP65 rating.



Zigbee microwave motion sensor
An optional sensor control for Zigbee system, 100-277Vac input, IP65 rating.



Daylight sensor
1-10V DC input, IP20 rating, daylight Harvesting function.



Optic lens
High transmittance PC materials, UV test approval.
Code: please refer to Photometry for different beam angle.



Safety Line
2m long stainless steel safety line.
Code: SL-L01-01



Description

LHB11 is a high quality and durability water-proof, dust-proof and corrosion-proof LED Lighting Product. It could be used in a wide variety of industrial and commercial environments such as car wash operations, maintenance areas, parking garages, stairwells and warehouses. It can be link-able, dimmable, with motion sensor and emergency working.

Key Features

- 600mm: 20W-30W; 1200mm: 40W-50W; 1500mm: 60W-80W
- 130lm/w or 150lm/w
- IP65 & IK08
- Easy access to terminal blocks ensure fast and flexible installation
- It can be linkable, max. 10-12no. fittings per daisy-chain
- 0-10V/ PIR/ Microwave sensor/ Zigbee/Dali/ Emergency function are available

Applications

- Supermarket
- Warehouse / Factory
- Office
- Garage
- Railway / Bus / MTR Station
- RAirport
- Exhibition Hall

Specifications - LHB11 Hi-Proof LED Linear Light

Version: 3.0

Electrical Information			
Model No.	LHB11-040	LHB11-060	LHB11-080
Power Consumption(±5%)	40W(±10%)	60W	80W
Power Supply	Philips Driver		
Input Voltage	220-240 VAC		
Power Factor	≥0.9 at Max Load		
Surge Protection	1KV line-line, 2KV line-earth		
Driver Type	Constant Current (CC)		
Control	dimmable, DALI, Microwave Sensor, PIR sensor, Daylight sensor Zigbee Wireless Control, Emergency		

Optic Information			
LED Type	LED 2835		
Luminous Flux (±10%)	5800LM	9000LM	12000LM
Efficacy(5000K Ra80)	145lm/W	150lm/W	150lm/W
Correlated Color Temperature	5000K (3000K, 4000K optional)		
Color Rendering Index	Ra80 (Ra70 optional)		
Beam Angle	L00C17(120°)		
UGR level	NA		

Dimensions and Mount			
Product Dimension	647x97x89mm	1247x97x89mm	1547x97x89mm
Luminaire Net Weight	1.38±0.2kg	2.3±0.2kg	2.76±0.2kg
Export Carton Size	745x375x335mm	1345x375x335mm	1645x375x335mm
Gross Weight	15.06±0.2kg(9pcs/ctn)	23.97±0.2kg(9pcs/ctn)	19.31±0.2kg(6pcs/ctn)
Mounting Option	Suspension Mounting, Ceiling Mounting Aluminum Alloy		
Material	Polycarbonate Optical Lens Powder Coating		
Finish	Milky white		
Fixture Color	NA		
EPA	IK08		
IK Rating	IP65		
IP Rating	IP65		

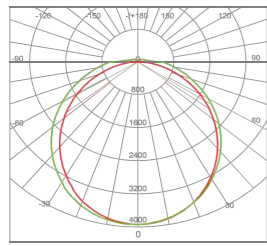
Lifespan and Warranty	
Operating Temperature	-30°C to 40°C
Life Time of LED @Ta=25°C	47,000hrs-L90B50
	99,000hrs-L80B50
	158,000hrs-L70B50
Warranty	5 Years

New Features	
* Please consult us for details.	

Specifications - LHB11 Hi-Proof LED Linear Light

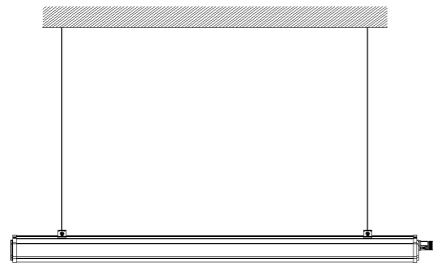
Version: 3.0

Photometry



L00C17(120°)

Mounting Options

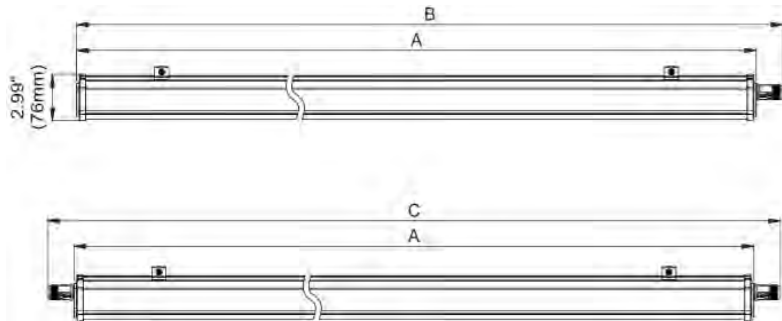


Suspension Mounting



Ceiling mounting

Dimensions



POWER	A(mm/in)	B(mm/in)	C(mm/in)
40W	600(23.62")	647(25.47")	694(27.32")
60W	1200(47.24")	1247(49.09")	1294(50.94")
80W	1500(59.05")	1547(60.91")	1594(62.75")

A-Length of the body;
 B-Length of the body with single connector;
 C-Length of the body with double connectors.

Accessories



Suspension kit
 304 stainless steel, available for 2m long.
 Code: SL-L11-01

2pcs



Ceiling Mounting Bracket
 SPCC stainless steel.
 Code: BC-L11-01

2pcs



Zigbee gateway
 1pcs can control 100pcs fixtures.



Zigbee microwave motion sensor
 An optional sensor control for Zigbee system,
 100-277Vac input, IP65 rating.

Specifications - LHB11 Hi-Proof LED Linear Light

Version: 3.0



Zigbee daylight sensor
 An optional sensor control for Zigbee system,
 100-277Vac input, IP65 rating.



Daylight sensor
 On-off function only.



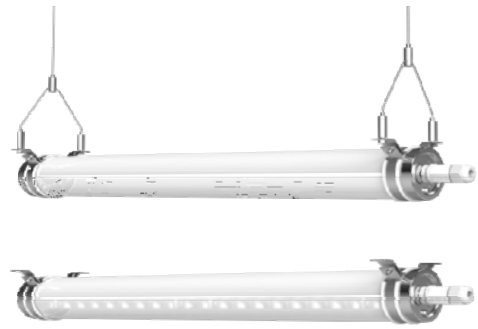
PIR sensor
 On-off function only.



Microwave motion sensor
 On-off function only.

Specifications - LHB13 RoLine LED Linear Light

Version: 3.0



Electrical Information			
Model No.	LHB13-020	LHB13-040	LHB13-050
Power Consumption(±10%)	20W	40W	50W (±5%)
Power Supply	Philips Driver		
Input Voltage	220-240 VAC, 50-60Hz		
Power Factor	≥0.9 at Max Load		
Surge Protection	1KV line-line, 2KV line-earth		
Driver Type	Constant Current (CC)		
Control	dimmable, DALI		

Optic Information			
LED Type 1	LED2835		
Luminous Flux (±10%)	2800LM	5600LM	7000LM
Efficacy(5000K Ra80)	140lm/W		
LED Type 2	LED 3030		
Luminous Flux (±10%)	2600LM	5200LM	6500LM
Efficacy(5000K Ra80)	130lm/W		
Correlated Color Temperature	5000K (3000K, 4000K optional)		
Color Rendering Index	Ra80 (Ra70 optional)		
Beam Angle	L00C18 , L00301, L00302		
UGR level	NA		

Description

RoLine is an innovative LED Tubular light which can be used very flexibly. Be it aviaries, Animal farm, Swimming Pool (Chlorine gas), Chemical factory, Office, or Food industry factory, there are nearly no boundaries.

Key Features

- IP69K, against water pressure of 100bar(1450psi) and temperature of 80°C
- Glare free UGR<19, beam angle 60° or 90°
- PMMA clear/milk cover(anti-corrosion), PC clear/milk cover(IK10).
- Quick connection. It can be linkable together one by one.
- Surface Mount or Suspended
- 20W, 30W, 50W, System efficiency up to 140lm/W.
- 150lm/W optional
- 1-10v, DALI optional
- Qualified Philips driver.

Applications

- Food Processing
- Farm Lighting
- Poultry Lighting
- Agricultural applications
- Other applications

Dimensions and Mount

Product Dimension	120x84x600mm	120x84x1128mm	120x84x1390mm
Luminaire Net Weight	1.10k±0.2kg	1.62±0.2kg	1.96±0.2kg
Export Carton Size	867x445x340mm	1400x335x340mm	1660x335x235mm
Gross Weight	19.32±0.2kg(12pcs/ctn)	19.97±0.2kg(9pcs/ctns)	35.80±0.2kg(6pcs/ctn)
Mounting Option	Suspension Mounting, Ceiling Mounting		
Material	Aluminum Alloy		
Finish	Powder Coating		
Fixture Color	Milky white		
EPA	NA		
IK Rating	IK10/IK06		
IP Rating	IP66		

Lifespan and Warranty

Operating Temperature	-30°C to 40°C
	60,000hrs-L90B50
Life Time of LED @Ta=25°C	124,000hrs-L80B50
	197,000hrs-L70B50
Warranty	5 Years

New Features

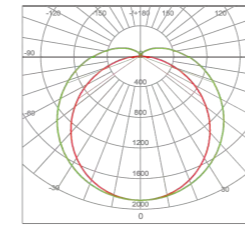
- UGR<16with honeycomb
- Linkable solution available.

* Please consult us for details.

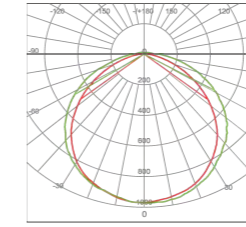
Specifications - LHB13 RoLine LED Linear Light

Version: 3.0

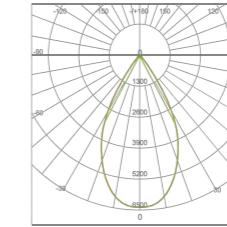
Photometry



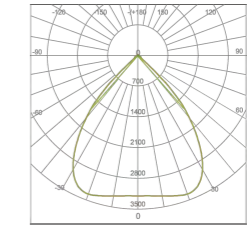
L00C18-02



L00C18-03

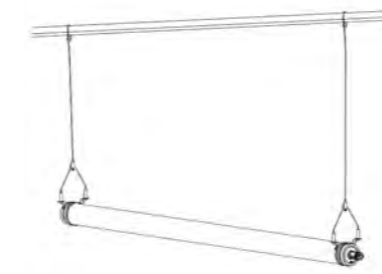


L03001

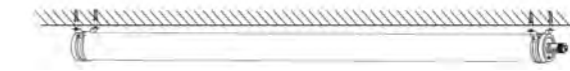


L03002

Mounting Options

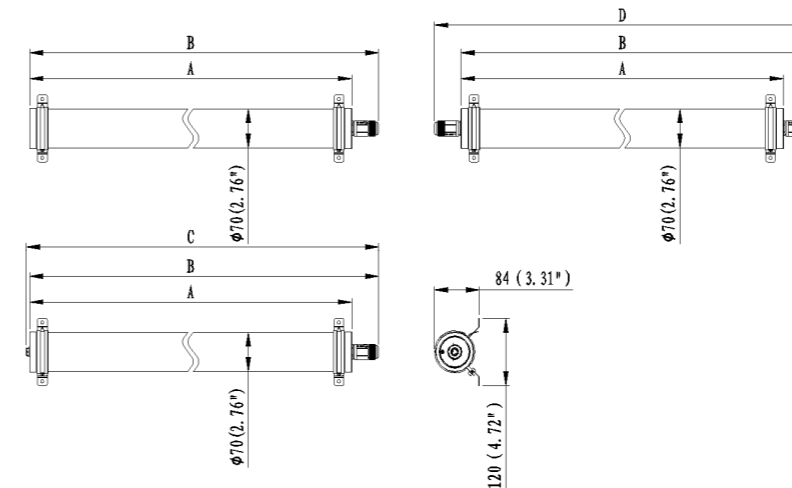


Suspension Mounting



Ceiling mounting

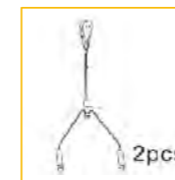
Dimensions



MODEL	A		B		C		D	
	mm	in	mm	in	mm	in	mm	in
LHB13-020	600	23.62	650	25.59	656	25.83	700	27.56
LHB13-040	1128	44.41	1178	46.38	1184	46.61	1228	48.35
LHB13-050	1390	54.72	1440	56.69	1446	56.93	1490	58.66

A-Length of the body;
B-Length of the body with single connector;
C-Length of the body with single connector and vent;
D-Length of the body with double connectors.

Accessories



Suspension kit
304 stainless steel, available for 2m long.
Code: SL-L13-01



Ceiling mount bracket
SPCC materials.
Code: BC-L13-01

Specifications - LHB15 LED Linear High Bay Light

Version: 1.0



CE RoHS

Electrical Information		
Model No.	LHB15-150	LHB15-300
Power Consumption(±5%)	150W	300W
Power Supply	Philips	
Input Voltage	220-240 VAC , 50 / 60 Hz	
Power Factor	>0.9	
Surge Protection	2kV line-line, 3kV line-earth	
Driver Type	Constant Current (CC)	
Control	DALI, Microwave Sensor(ON/OFF)	

Optic Information		
LED Type	LED 3030	
Luminous Flux (±10%)	23250LM	46500LM
Efficacy(4000K Ra70)	155lm/W	
Correlated Color Temperature	4000K (3000K,5000K optional)	
Color Rendering Index	Ra70 (Ra80 optional)	
Beam Angle	F01603、F01604、F01605、F01606、F01610	
UGR level	<20	

Description

Delicate design LHB15 with particular reflector emits uniformed and soft light with minimum glare, which protects our eyes from asthenopia. LOW UGR feature makes LHB15 not only be suitable for industrial sites including factory, warehouse, but also perfect for indoor sports fields, office, shopping mall, and so on.

Key Features

- High brightness, up to 46500 lumens and 155lm/W
- Smooth body would not accumulate dust, sand, or other solid material.
- Low UGR solution with soft vision environment.
- Slim and compact design.
- Great performance in heat dissipation.

Dimensions and Mount

Product Dimension	915x177x52mm	1395x177x52mm
Luminaire Net Weight	3.5±0.3kg	5.2±0.3kg
Export Carton Size	1025 x246 x127mm	1505 x246 x127mm
Gross Weight	4.8±0.3kg	6.7±0.3kg
Mounting Option	Hook mounting	
Material	Aluminum Alloy	
Finish	Polycarbonate Optical Lens	
Fixture Color	Sand blasting, anodizing	
EPA	Aluminum color	
IK Rating	NA	
IP Rating	IP20	

Lifespan and Warranty

Operating Temperature	-30°C to + 50°C	
Life Time of LED @Ta=25°C	54000hrs-L90	82000hrs-L80
	82000hrs-L80	131000hrs-L70
Warranty	5 Years	

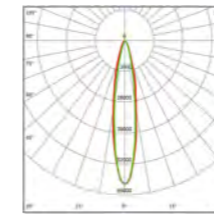
Applications

- Exhibition centers
- Warehouse
- Sport field
- Factory

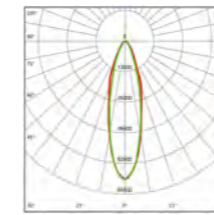
New Features

* Please consult us for details.

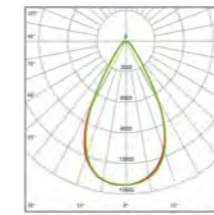
Photometry



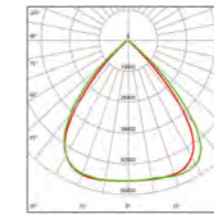
F01603



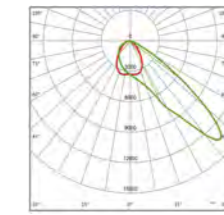
F01604



F01605



F01606



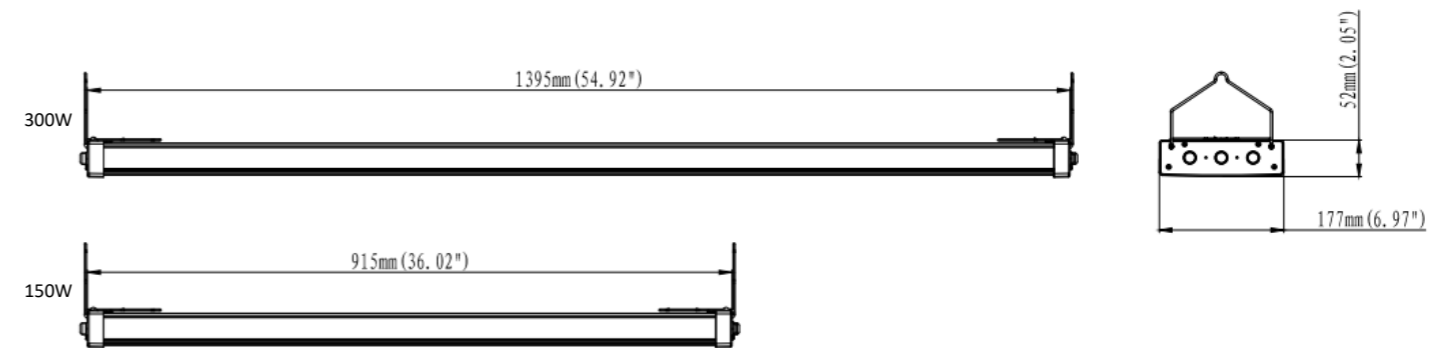
F01610

Mounting Options

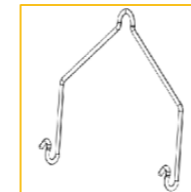


Hook mounting

Dimensions



Accessories



Protective wire mesh
304 stainless steel.
Code: HK-L15-01



Microwave motion sensor (ON-OFF)
120-277Vac input, IP65 rating,
max detect height is 15m.
ON/OFF function.

Remote control

Specifications - LHB19 LED Linear Light

Version: 3.0



Electrical Information		
Model No.	LHB19-070	LHB19-120
Power Consumption(±5%)	70W	120W
Power Supply	Inventronics	
Input Voltage	100-240VAC, 50 / 60 Hz	
Power Factor	>0.95	
Surge Protection	6kV line-line,10kV line-earth	
Driver Type	Constant Current (CC)	
Control	0-10V dimmable	

Optic Information		
LED Type	LED 2835	
Luminous Flux (±10%)	9450lm	16200lm
Efficacy(5000K Ra80)	135lm/W	
Correlated Color Temperature	5000K (3000K, 4000K optional)	
Color Rendering Index	Ra80	
Beam Angle	L00111, L00112, L00113, L00114, L00118, L00B01	
UGR level	NA	

Description

LHB19 is suitable for wholesale and distribution channels with simple & Friendly design. Smaller Size and lighter, length 600/1200mm.

Dimensions and Mount

Product Dimension	629x86x114mm	1209x86x114mm
Luminaire Net Weight	2.3±0.3kg	3.5±0.3kg
Export Carton Size	715x250x165mm	1295x250x165mm
Gross Weight	5.4±0.3kg(2pcs/CTN)	8.1±0.3kg(2pcs/CTN)
Mounting Option	Suspension Mounting Ceiling Mounting	
Material	Housing:Aluminum Alloy Optics:polymethyl methacrylate Optical Lens	
Finish	Anodizing	
Fixture Color	Aluminum color	
EPA	NA	
IK Rating	IK06	
IP Rating	IP66	

Lifespan and Warranty

Operating Temperature	-30°C to + 45°C
Life Time of LED @Ta=25°C	31,000hrs-L90
	64,000hrs-L80
	101,000hrs-L70
Warranty	5 Years

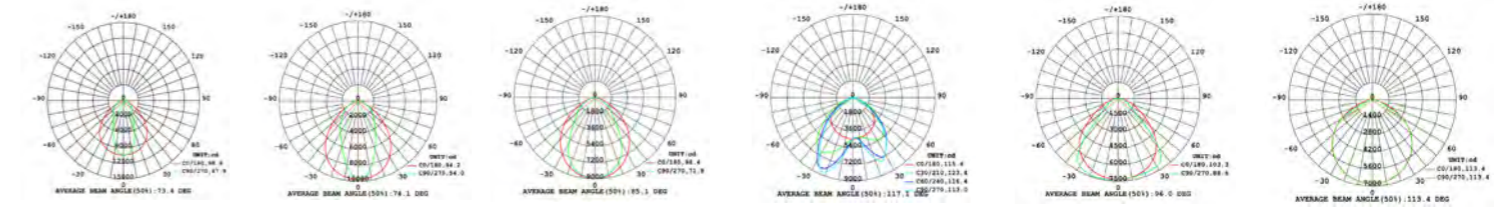
Applications

- Interior lighting
- Hotel
- Warehouse
- Shopping Mall
- Toll Station and so on.

New Features

* Please consult us for details.

Photometry

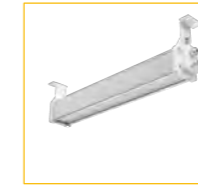


L00111(40*100°) L00112(60*90°) L00113(70*100°) L00114(bilateral asymmetric25°) L00118(90*100°) L00B01(120°)

Mounting Options

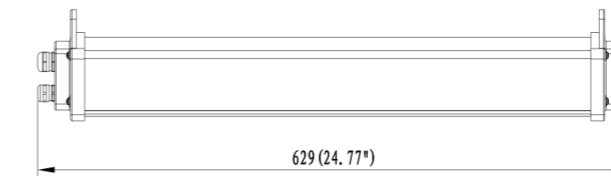
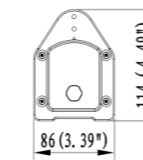


Suspension mounting

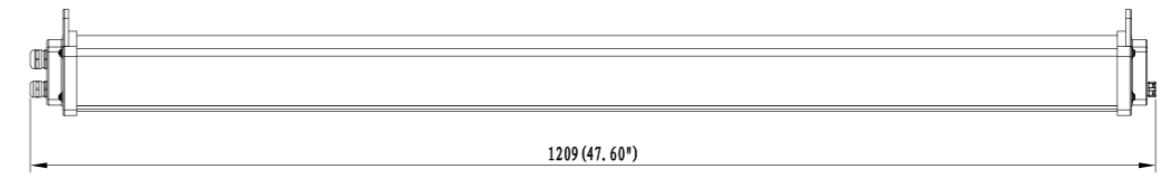
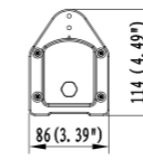


Ceiling mounting

Dimensions(Unit: mm/inch)



70W



120W

Accessories



Optic lens
High transmittance PMMA materials, UV test approval.
Code: please refer to **Photometry** for different beam angle.




















Safety rope
304 stainless steel, available for 2m long.
Code: SL-L19-01



Adjustable ceiling mount bracket
SPCC materials with outdoor powder coating.
Code: BC-L19-01

Architectural Flood and Spot Luminaires



-  Asymmetric optics
-  10° 15° Narrow beam angle
-  Strong Anti-corrosion
-  Snow load
-  DALI 2, or DMX, RDM-DMX
-  Billboard lighting
-  TLCI > 90
-  High Powered 600-1200W
-  Photocell
-  Back light control
-  Bird-proof sleeve
-  Outrigger Arm
-  Up light
-  3G Test 3G vibration test verified
-  Flicker free HDTV broadcasting
-  Glare control
-  Support remoted driver installation



Specifications - FL06 HiMast LED Flood Light

Version: 3.0



Electrical Information			
Model No.	FL06-300	FL06-600	FL06-900
Power Consumption(±5%)	300W	600W	900W
Power Supply	MEAN WELL		
Input Voltage	100-240 VAC, 50 / 60 Hz		
Power Factor	>0.92		
Surge Protection	6kV line-line, 10kV line-earth		
Driver Type	Constant Current (CC)		
Control	dimmable, DALI, DMX Zigbee Wireless Control		

Optic Information			
LED Type	LED 3030, LED 5050		
Luminous Flux (±10%)	42000LM	84000LM	126000LM
Efficacy(5000K Ra70)	140LM/W		
Correlated Color Temperature	5000K (3000K, 4000K optional)		
Color Rendering Index	Ra70 (Ra80 optional)		
Beam Angle	F00801, F01601, F01602, F01603, F01604, F01605, F01606, F01608, F01609, F01610, F01611, F01612, F01613, F00401(LED 5050)		
UGR level	NA		

Dimensions and Mount				
Product Dimension	559×288×178mm	606×564×401mm	792×606×401mm	
Luminaire Net Weight	11.7±0.3kg	29.0±0.3kg	41.0±0.3kg	
Export Carton Size	Heat sink	575×550×215mm	800×550×215mm	
	Power Supply	625×230×335mm	635×340×135mm	860×340×135mm
	Bracket	670×420×85mm	770×420×85mm	
Gross Weight	12.9±0.3kg	35.2±0.3kg	46.5±0.3kg	
Mounting Option	Bracket Mounting			
Material	Aluminum Alloy Tempered Glass and Polycarbonate Optical Lens			
Finish	Powder Coating			
Fixture Color	Black			
EPA	1.4ft²	4.0ft²	5.95ft²	
IK Rating	IK08			
IP Rating	IP66			

Lifespan and Warranty	
Operating Temperature	-30°C to + 50°C
Life Time of LED @Ta=25°C	70,000hrs-L90
	152,000hrs-L80
	244,000hrs-L70
Warranty	5 Years

New Features	
• Special cable design to avoid bird pecking	
• 2000K available for highways application	
• Customized bracket available for downwards installation	
• Emergency kit available for IP66	
• Aiming device helps install FL06 more accurately	

* Please consult us for details.

Description

HiMast is first high power floodlight, design idea came from replacing the 1000W HID, one module up to 300W, each module has a 70° rotating range, while 3 modules having a 40° adjustable capability. IP66 & IK08 for outdoor usage and each module equipped with a vent to keep the internal housing pressure be balanced, no vapor. Easy maintenance and quick assembly, mainly used in the sports court, wharf, outdoor site.

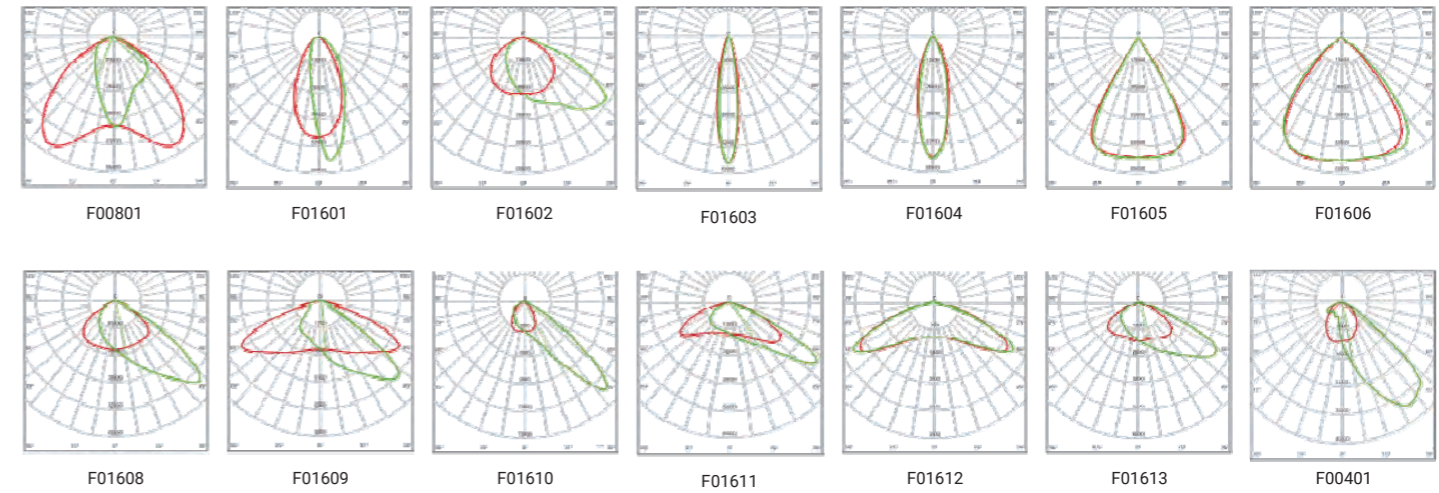
Key Features

- Easy assembly and quick connection between modules.
- LED modules adjustable according to lighting places.
- Wind Test Certified & 10KV Surge Protection.
- High power consumption with high lumen output.

Applications

- Sports arena
- Stadium
- Dock
- Area lighting

Photometry

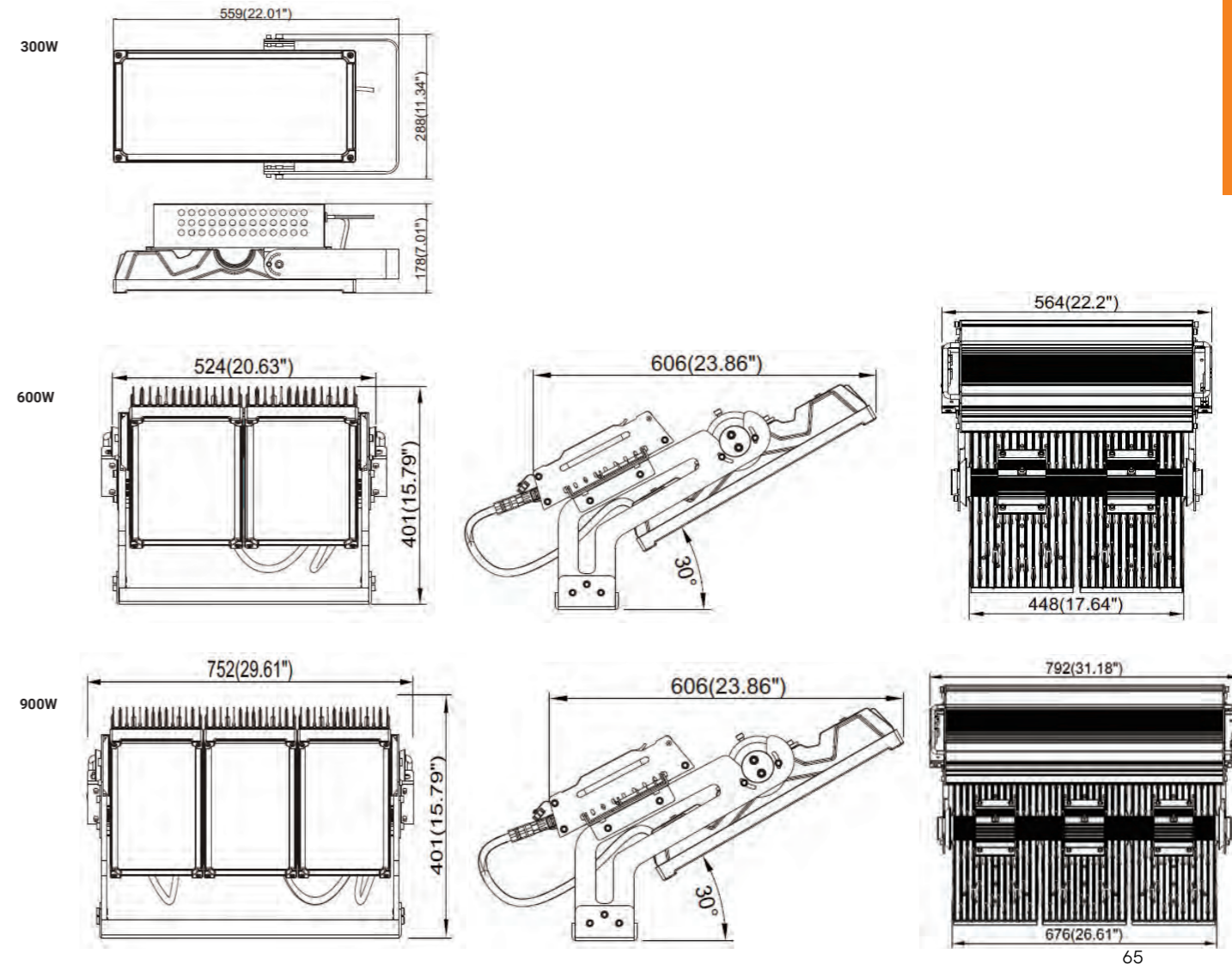


Mounting Options

Bracket mounting



Dimensions



Specifications - FL08 HiSpot LED Flood Light

Version: 3.1



Description

Innovation design and asymmetric optics by the market's favorite. UP to 140lm/W@33,600lm, more than 11 kinds of professional light distribution, almost all applications covered, like recreational sports, area lighting...etc. U type bracket and pole mounting bracket make it installation quick and easy. Definitely a classic floodlight, HiSpot is an impeccable choice to expand the industrial lighting business.

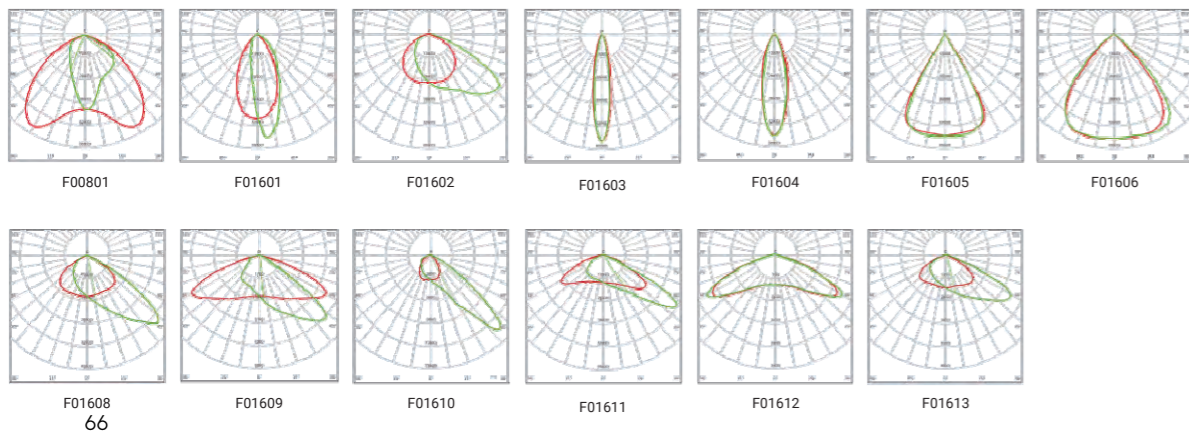
Key Features

- 3 sizes cover 40W to 240W, ideal for stock, distribution.
- Multiples optics to suit all sports and floodlighting applications.
- High lumen output 135lm/w.
- Easy to maintain with buckle design.
- External vent, avoid internal fogging and frosting.

Applications

- Recreational sports
- Parking lots
- Roundabout
- Billboard lighting
- Building facades
- Other area lighting applications

Photometry



Electrical Information									
Model No.	FL08-40	FL08-60	FL08-80	FL08-100	FL08-120	FL08-150	FL08-180	FL08-200	FL08-240
Power Consumption(±5%)	40W	60W	80W	100W	120W	150W	180W	200W	240W
Power Supply	MEAN WELL								
Input Voltage	100-240 VAC, 50 / 60 Hz								
Power Factor	≥0.92								
Surge Protection	6kV line-line, 10kV line-earth								
Driver Type	Constant Current (CC)								
Control	dimmable, DALI								

Optic Information									
LED Type	LED 3030								
Luminous Flux (±10%)	5800LM	8700LM	11600LM	14500LM	17400LM	21750LM	26100LM	29000LM	32800LM
Efficacy(5000K Ra70)	145 LM/W								
Correlated Color Temperature	5000K (3000K, 4000K optional)								
Color Rendering Index	Ra70 (Ra80 optional)								
Beam Angle	F00801, F01601, F01602, F01603, F01604, F01605, F01606, F01608, F01609, F01610, F01611, F01612, F01613								
UGR level	NA								

Dimensions and Mount									
Product Dimension	359×308×82mm			413×366×83mm			462×452×87mm		
Luminaire Net Weight	4.3±0.3kg			6.3±0.3kg			8.4±0.3kg		
Export Carton Size	425×130×360mm			490×420×140mm			540×515×160mm		
Gross Weight	4.9 ± 0.3kg			6.9 ± 0.3kg			7.5 ± 0.3kg		
Mounting Option	Bracket Mounting/ Pole Mounting								
Material	Aluminum Alloy								
Finish	Powder Coating								
Fixture Color	Black								
EPA	1.08ft²			1.53ft²			2.12ft²		
IK Rating	IK08								
IP Rating	IP66								

Lifespan and Warranty	
Operating Temperature	-30°C to + 45°C
Life Time of LED @Ta=25°C	61,000hrs-L90 134,000hrs-L80 218,000hrs-L70
Warranty	5 Years

New Features	
• Photocell, PIR sensor available	
• Outrigger Arm	

* Please consult us for details.

Mounting Options



Bracket mounting

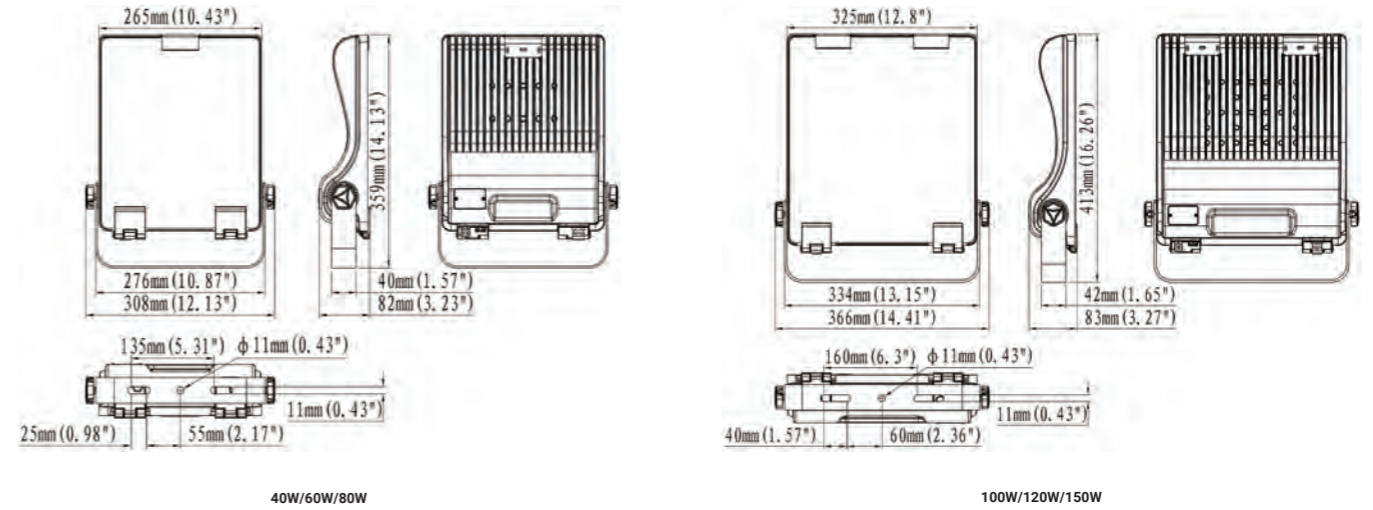


Pole mounting



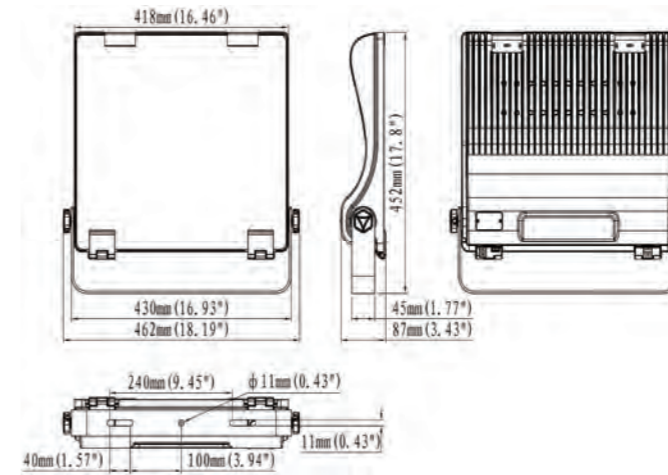
Outrigger arm mounting

Dimensions



40W/60W/80W

100W/120W/150W



180W/200W/240W

Accessories



Pole mount adaptor
ADC12 materials with powder coating, 60mm pole.
Code: BC-F15-06



Pole mount adaptor
Q235 steel, surface treatment: cold galvanized+ e-coating + powder coating.
Code: BC-F08-02(for dia.42mm)
Code: BC-F08-03(for dia.76mm)



Outrigger arm
SPCC materials, for 40W/60W/80W only.
Code: BC-F08-05



Clamp mount bracket
SPCC materials, for dia. 40mm-100mm pole.
Code: BC-F15-07a



Clamp mount bracket
SPCC materials, for dia. 40mm-150mm pole.
Code: BC-F15-07b

Specifications - FL10 HiGrin LED Flood Light

Version: 3.0



Electrical Information	
Model No.	FL10-1K2
Power Consumption(±5%)	1200W
Power Supply	INVENTRONICS
Input Voltage	AC 100-240V, 50-60Hz
Power Factor	>0.92
Surge Protection	6kV line-line, 10kV line-earth
Driver Type	Constant Current (CC)
Control	DALI, DMX, Zigbee

Optic Information	
LED Type	LED 3030
Luminous Flux (±10%)	156000lm
Efficacy(5000K Ra70)	130 LM/W
Correlated Color Temperature	5000K (4000K, 5700K optional)
Color Rendering Index	Ra70 (Ra80 optional)
Beam Angle	F05401, F05402
UGR level	NA

Description

HiGrin is a professional high power sports lighting fixture, which has a cooling and human-centric structure, two LED modules but the integrated pure aluminum heat sink, power up to 1200W. All the light is thrown to a very specific direction for desired lighting area only, people won't see the light source when standing on the ground, which makes HiGrin is a high-quality lighting solution to make the public environment be friendly and comfortable, suitable for use in sports field, airports, outdoor logistic center, ports, etc.

Key Features

- 1200W 1:1 replace the 2000W HID.
- No backlight, no up-light, and no spill light.
- Asymmetric lighting distribution 25°*100° and 30°*90° optional.
- High brightness also high uniformity lighting performance.
- Good heat dissipation, lifetime up to L90B10 100,000hrs.
- Driver box as a separate part, flexible installation.

Applications

- For sports court
- For Billboard lighting
- Exhibition Center
- Shopping Mall
- Accent lighting
- Parking lots

Dimensions and Mount

Product Dimension	Fixture body	790x403x525mm	Driver box	458x278x159mm
Luminaire Net Weight	Fixture body	28.5±0.3kg	Driver box	12.5±0.3kg
Export Carton Size	Fixture body	895x262x630mm	Driver box	477x340x210mm
Gross Weight	Fixture body	32.5±0.3kg	Driver box	13.5±0.3kg
Mounting Option	Bracket Mounting / Pole Mounting			
Material	Aluminum Alloy			
Finish	Powder Coating/Anodizing			
Fixture Color	Fixture body	Grey	Driver box	Black
EPA	Fixture body	4.08ft²	Driver box	1.34ft²
IK Rating	IK08			
IP Rating	IP66			

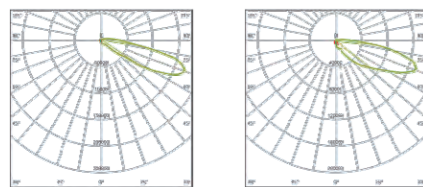
Lifespan and Warranty

Operating Temperature	-30°C to + 50°C
Life Time of LED @Ta=25°C	84,000hrs-L80
	135,000hrs-L70
Warranty	5 Years

New Features

* Please consult us for details.

Photometry



F05401

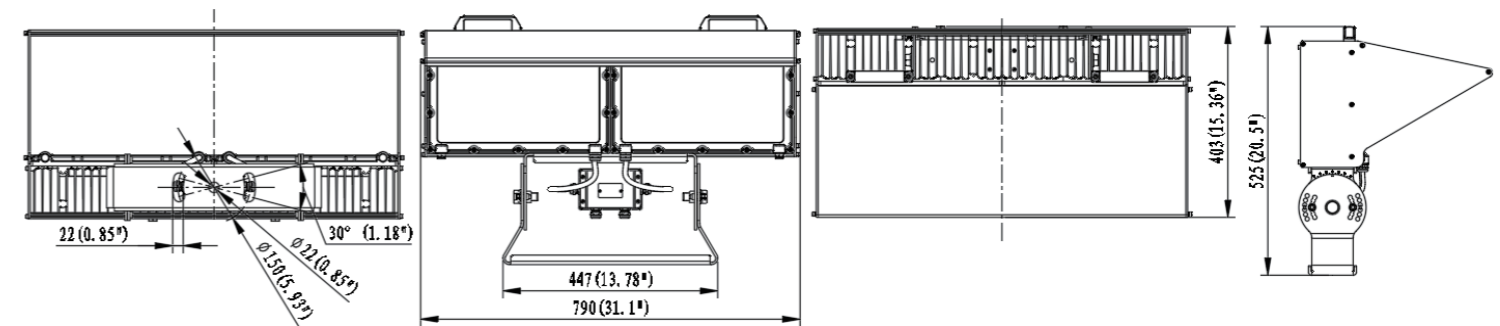
F05402

Mounting Options

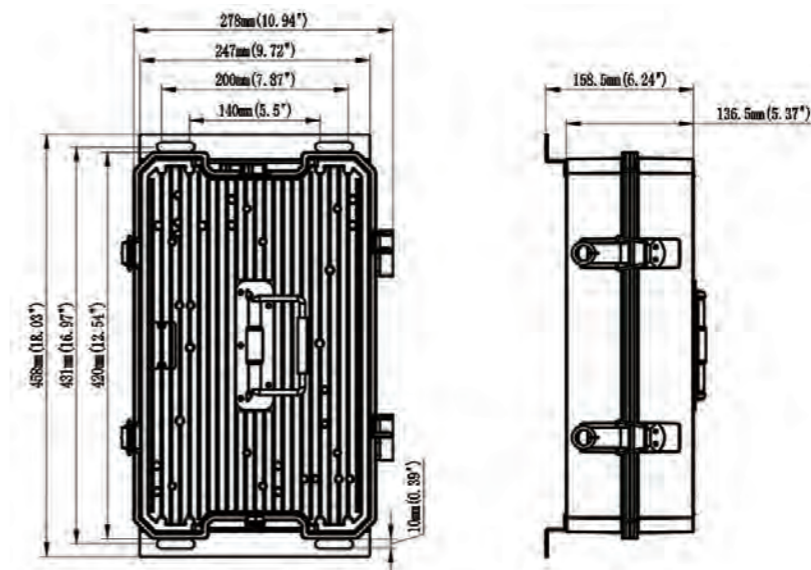


Bracket mounting

Dimensions



Fixture body



Driver box

Accessories



Aiming device

Exact aiming to help easy install upon lighting simulation.

Code: AD-A00-01



Adjustable bracket for Aiming device

SPCC materials, installed in fixture body 20° beam angle adjustable.

Code: BC-A00-01

Specifications - FL11 LED Flood Light

Version: 3.0



Description

FL11 LED flood light is optimized solution with full power from 30W/50W-300W, made with different size of molds, improve the product cost-effective. Multiple lighting distribution optional, including symmetric and asymmetric beam angles, which will be a great help to win different projects, such tennis court, badminton court, etc.

Key Features

- Asymmetric flood light for wholesales.
- Cost-effective but high quality.
- Covering the best sellers 30W-50W-100W-150W-200W-300W
- Five different dimensions, to achieve the best cost control for different wattage.
- Stream line design, fashion outlook and not easy to accumulate water.
- The vent avoid internal fogging and frosting.
- Wide choice of optics to suit more applications: asymmetrical and symmetrical.
- 5 years warranty.

Applications

- For recreational sports (tennis courts, basketball courts...)
- Exhibition Center
- Shopping Mall
- Stadium
- Accent lighting
- Parking lots

Electrical Information					
Model No.	FL11-050	FL11-100	FL11-150	FL11-200	FL11-300
Power Consumption(±5%)	50W	100W	150W	200W	300W
Power Supply	DONE	SOSEN			
Input Voltage	220-240 VAC, 50-60Hz				
Power Factor	>0.90	>0.93			
Surge Protection	6kV line-line, 6kV line-earth	6kV line-line, 10kV line-earth			6kV line-line, 12kV line-earth
Driver Type	Constant Current (CC)				
Control	1-10V dimmable				

Optic Information					
LED Type	LED 3030				
Luminous Flux (±10%)	6250LM	12500LM	18750LM	25000LM	37500LM
Efficacy(5000K Ra70)	130m/W				
Correlated Color Temperature	5000K (3000K, 4000K optional)				
Color Rendering Index	Ra70 (Ra80 optional)				
Beam Angle	F00801, F01601, F01602, F01603, F01604, F01605, F01606, F01608, F01609, F01610, F01611, F01612, F01613				
UGR level	NA				

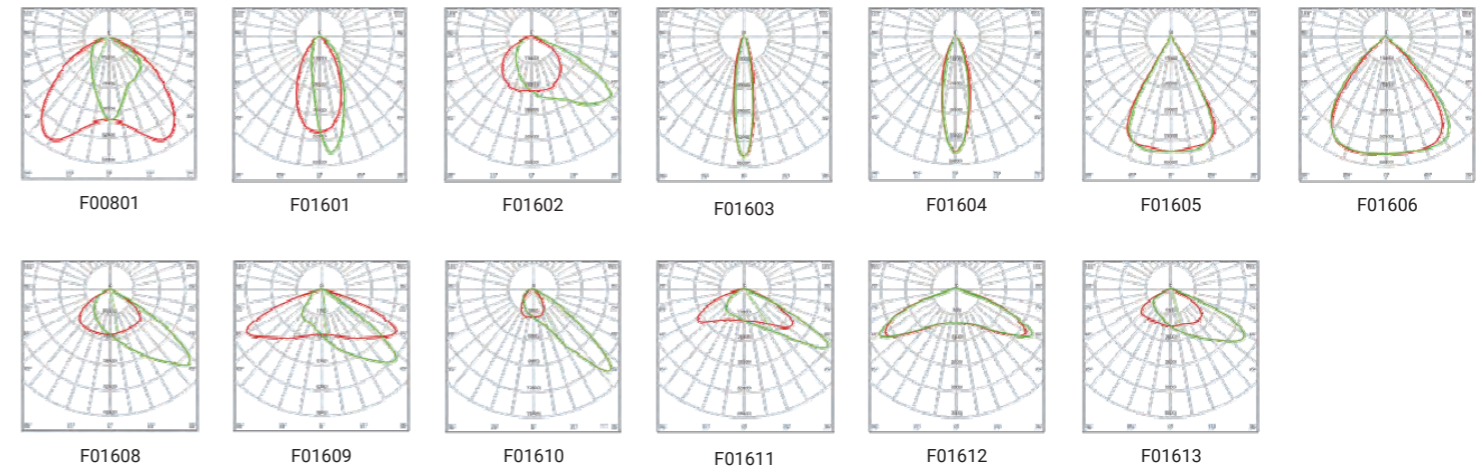
Dimensions and Mount					
Product Dimension	300×240×69 mm	335×295×71 mm	375×320×75 mm	400×345×78 mm	464×410×83 mm
Luminaire Net Weight	2.1(±0.3)kg	3.4(±0.3)kg	4.5(±0.3)kg	5.5(±0.3)kg	8.3(±0.3)kg
Export Carton Size	350×115×27 5mm	400×125×33 5mm	440×130×36 0mm	470×130×39 0mm	530×140×45 0mm
Gross Weight	2.5(±0.3)kg	3.9(±0.3)kg	5.1(±0.3)kg	6.1(±0.3)kg	9.1(±0.3)kg
Mounting Option	Bracket Mounting / Pole Mounting				
Material	Aluminum Alloy				
Finish	Powder Coating				
Fixture Color	Black				
EPA	0.62ft ²	0.91ft ²	1.12ft ²	1.30ft ²	1.87ft ²
IK Rating	IK08				
IP Rating	IP66				

Lifespan and Warranty	
Operating Temperature	-30°C to + 50°C
Life Time of LED @Ta=25°C	20,000hrs-L90 42,000hrs-L80 68,000hrs-L70
Warranty	5 Years

New Features	
• Photocell, PIR sensor available	
• Outtrigger arm bracket available.	

* Please consult us for details.

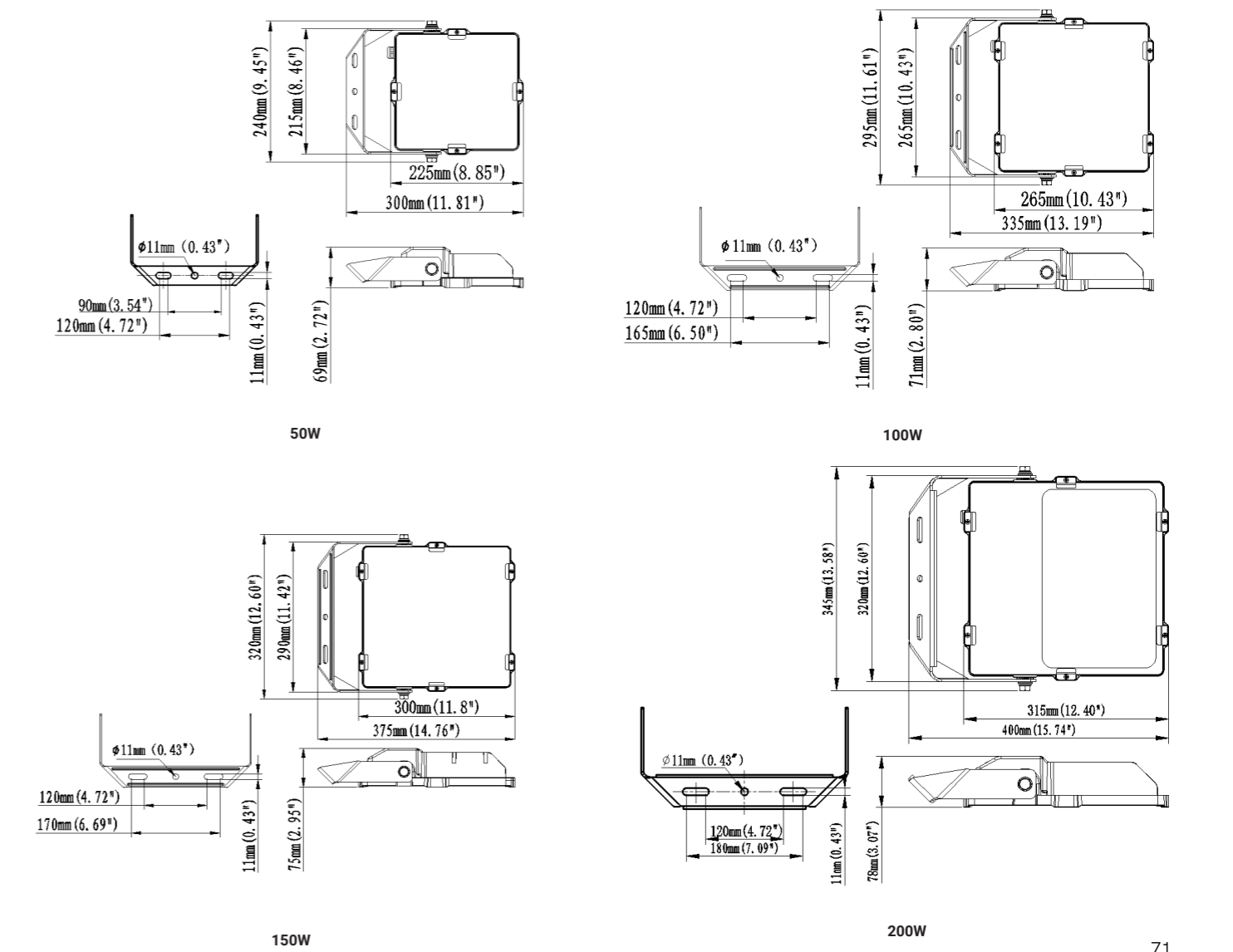
Photometry

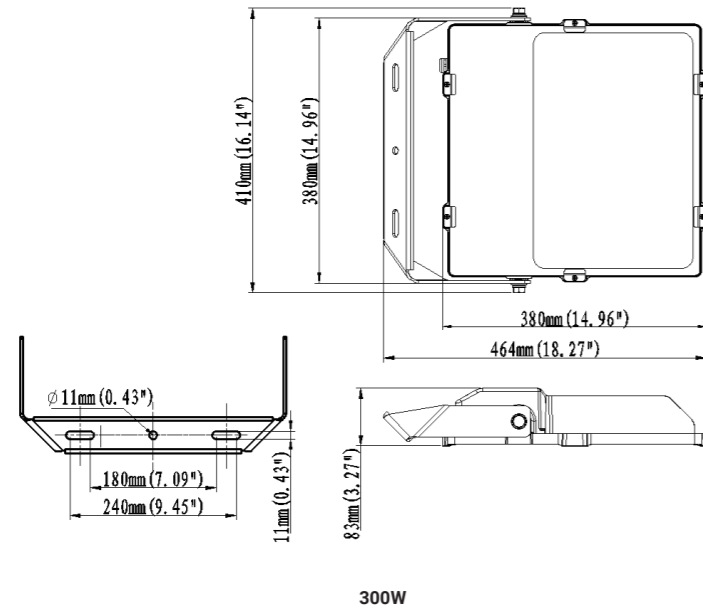


Mounting Options



Dimensions





Accessories



Pole mount adaptor

ADC12 materials with powder coating, 60mm pole.

Code: BC-F15-06



Pole mount adaptor

Q235 steel, surface treatment: cold galvanized+ e-coating + powder coating.

Code: BC-F08-02(for dia.42mm)
Code: BC-F08-03(for dia.76mm)



Clamp mount bracket

SPCC materials, for dia. 40mm-100mm pole.

Code: BC-F15-07a



Clamp mount bracket

SPCC materials, for dia. 40mm-150mm pole.

Code: BC-F15-07b



Outrigger arm

SPCC materials, for 40W/60W/80W only.

Code: BC-F08-05

Description

Full series available by 200W to 1200W, ideal to retrofit the 400W to 3000W traditional lamps. The compact modular design gets a quick assembly and flexible installation. Easy to adjust the light angle and create the diversity of lighting environment. HiFlex is the most valuable and reliable high power floodlight in the market. Widely applicable to the sports field, plazas, docking space, etc.

Key Features

- Modular design from 200W to 600W.
- Vertically angle adjustment, easy way to adjust the light angle and create diversity of lighting environment.
- This convenient and humanized design enable it fit for different requests in outdoor lighting applications.
- Multiple optics option from 10° 15° to 30° to offer excellent light pollution control.
- Electrophoresis and powder coating with strong anti-corrosion.
- Efficiency up to 135lm/W, more energy saving.
- Provided with 10KV Build-in Surge Protection Devices.

Applications

- Parking lots
- Outdoor sports
- Square
- Stadium
- For recreational sports (tennis courts, basketball courts...)
- Exhibition Center
- Soccer field

Electrical Information			
Model No.	FL13-200	FL13-400	FL13-600
Power Consumption(±3%)	200W(±5%)	400W	600W
Power Supply	SOSEN		
Input Voltage	100-240 VAC, 50 / 60 Hz		
Power Factor	>0.92		
Surge Protection	6kV line-line, 10kV line-earth		
Driver Type	Constant Current (CC)		
Control	1-10V dimmable, DALI 2, DMX control		

Optic Information			
LED Type 1	LED 5050 (for 30°, 45°, 60°,38x100°)		
Luminous Flux (±10%)	27000lm	54000lm	81000lm
Efficacy(5000K Ra70)	135LM/W		
Beam Angle	F06003, F06005, F06006, F07001		
LED Type 2	LED 3737 (for 10°, 15°, 15x40°)		
Luminous Flux (±10%)	25000lm	50000lm	75000lm
Efficacy(5000K Ra70)	125LM/W		
Beam Angle	F06001, F06002, F06004		
Correlated Color Temperature	5000K (3000K, 4000K, 5700K optional)		
Color Rendering Index	Ra70 (Ra80 optional)		
UGR level	NA		

Dimensions and Mount

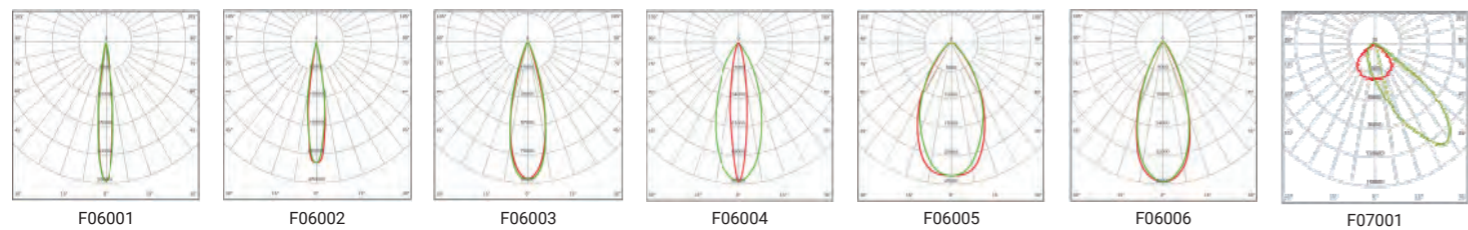
Product Dimension	321×316×118mm	419×340×222mm	529×340×226mm
Luminaire Net Weight	4.1±0.3kg	9.4±0.3kg	15.3±0.5kg
Export Carton Size	360×160×375mm	478×270×390mm	598×280×400mm
Gross Weight	4.7±0.3kg	10.6±0.3kg	16.8±0.5kg
Mounting Option	Bracket Mounting		
Material	Aluminum Alloy Tempered Glass and Polycarbonate Optical Lens		
Finish	Powder Coating		
Fixture Color	Silvery		
EPA	0.6ft²	1.34ft²	1.96ft²
IK Rating	IK08		
IP Rating	IP66		

Lifespan and Warranty

Operating Temperature	-30°C to + 40°C
Life Time of LED @Ta=25°C	53,000hrs-L90
	111,000hrs-L80
	176,000hrs-L70
Warranty	5 Years

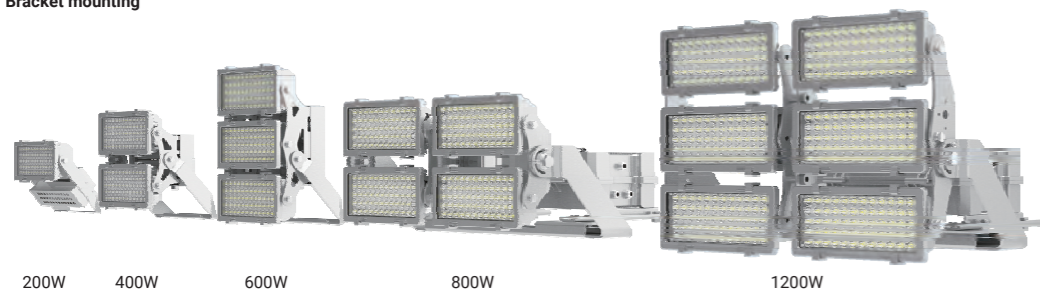
New Features

* Please consult us for details.

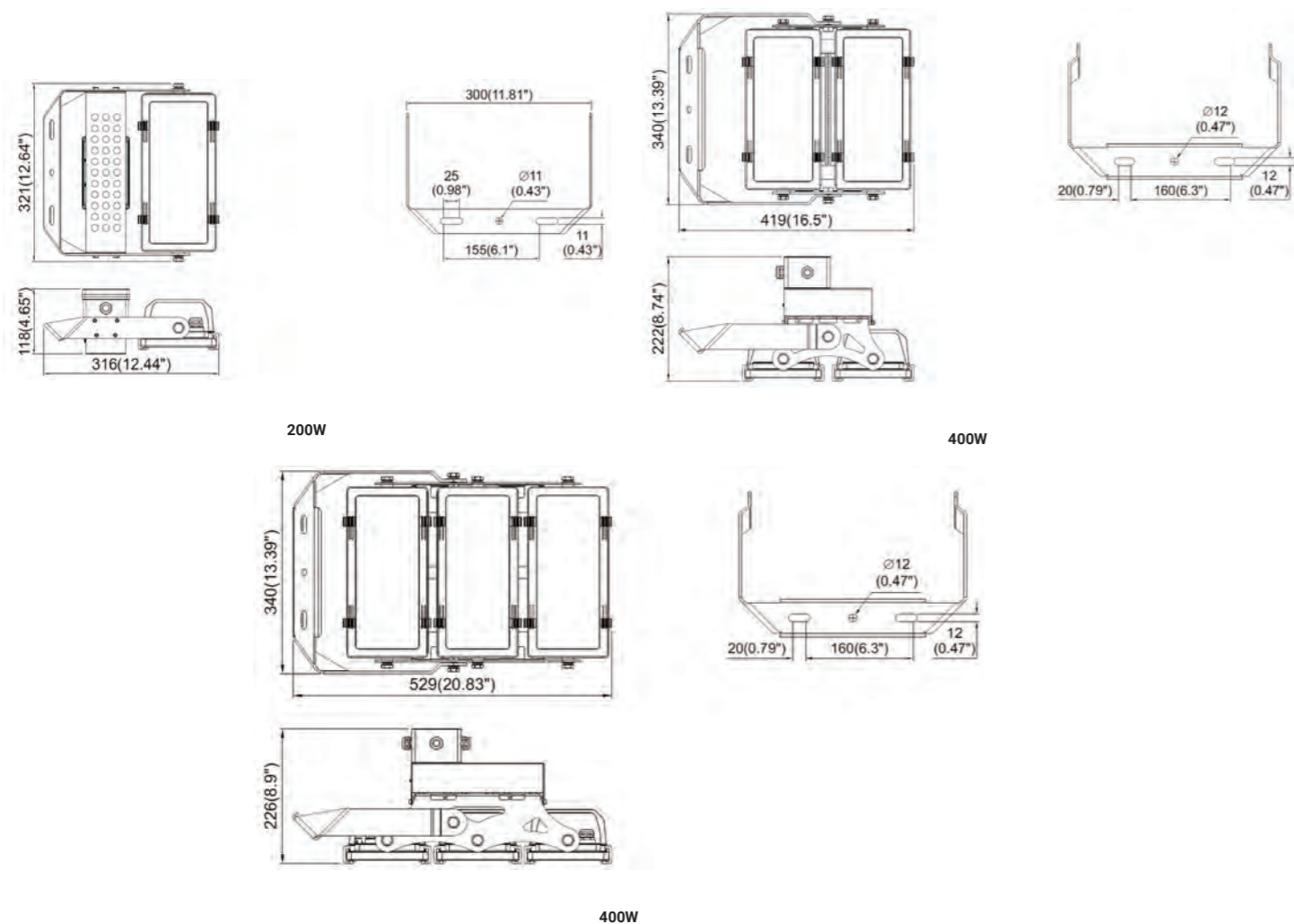


Mounting Options

Bracket mounting



Dimensions



Accessories



Specifications - FL13 HiFlex LED Flood Light



Electrical Information		
Model No.	FL13-800	FL13-1K2
Power Consumption(±3%)	800W	1200W
Power Supply	SOSEN	
Input Voltage	100-240 VAC, 50 / 60 Hz	
Power Factor	>0.92	
Surge Protection	6kV line-line, 10kV line-earth	
Driver Type	Constant Current (CC)	
Control	1-10v dimmable, DALI, DMX control	

Optic Information		
LED Type 1	LED 5050 (for 30°, 45°, 60°, 38x100°)	
Luminous Flux (±10%)	108000lm	162000lm
Efficacy(5000K Ra70)	135LM/W	
Beam Angle	F06003, F06005, F06006, F07001	
LED Type 2	LED 3737 (for 10°, 15°, 15x40°)	
Luminous Flux (±10%)	100,000lm	150,000lm
Efficacy(5000K Ra70)	125LM/W	
Beam Angle	F06001, F06002, F06004	
Correlated Color Temperature	5000K (3000K, 4000K, 5700K optional)	
Color Rendering Index	Ra70 (Ra80 optional)	
UGR level	NA	

Description

Full series available by 200W to 1200W, ideal to retrofit the 400W to 3000W traditional lamps. The compact modular design gets a quick assembly and flexible installation. Easy to adjust the light angle and create the diversity of lighting environment. HiFlex is the most valuable and reliable high power floodlight in the market. Widely applicable to the sports field, plazas, docking space, etc.

Key Features

- Modular design from 200W to 600W.
- Vertically angle adjustment, easy way to adjust the light angle and create diversity of lighting environment.
- This convenient and humanized design enable it fit for different requests in outdoor lighting applications.
- Multiple optics option from 10° 15° to 30° to offer excellent light pollution control.
- Electrophoresis and powder coating with strong anti-corrosion.
- Efficiency up to 135lm/W, more energy saving.
- Provided with 10KV Build-in Surge Protection Devices.

Applications

- Parking lots
- Outdoor sports
- Square
- Stadium
- For recreational sports (tennis courts, basketball courts...)
- Exhibition Center
- Soccer field

Dimensions and Mount

Product Dimension	Fixture body	674×631×368mm	Fixture body	674×640×473mm
	Driver box	458×278×159mm		
Luminaire Net Weight	Fixture body	21.7±0.3kg	Fixture body	26.6±0.3kg
	Driver box	12.7±0.3kg		
Export Carton Size	Fixture body	760×620×300mm	Fixture body	760×710×300mm
	Driver box	477×340×210mm		
Gross Weight	Fixture body	24.5±0.3kg	Fixture body	29.8±0.3kg
	Driver box	13.7±0.3kg		
Mounting Option	Bracket Mounting			
Material	Aluminum Alloy			
Finish	Tempered Glass and Polycarbonate Optical Lens			
Fixture Color	Powder Coating			
EPA	Fixture body	2.74ft ²	Fixture body	3.87ft ²
	Driver box	2.09ft ²		
IK Rating	IK08			
IP Rating	IP66			

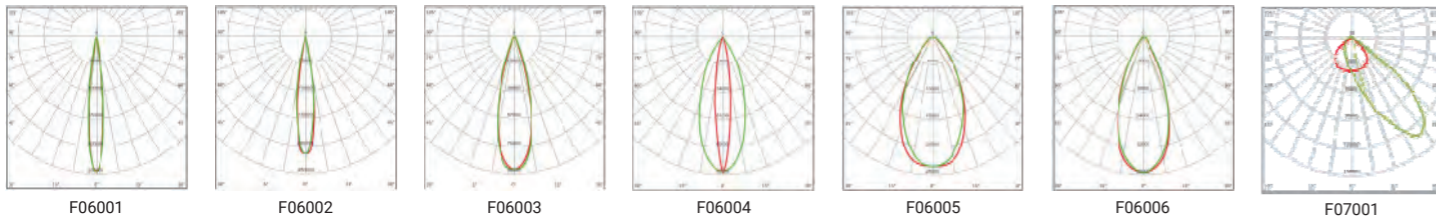
Lifespan and Warranty

Operating Temperature	-30°C to + 40°C
Life Time of LED @Ta=25°C	41,000hrs-L90
	85,000hrs-L80
	135,000hrs-L70
Warranty	5 Years

New Features

* Please consult us for details.

Photometry



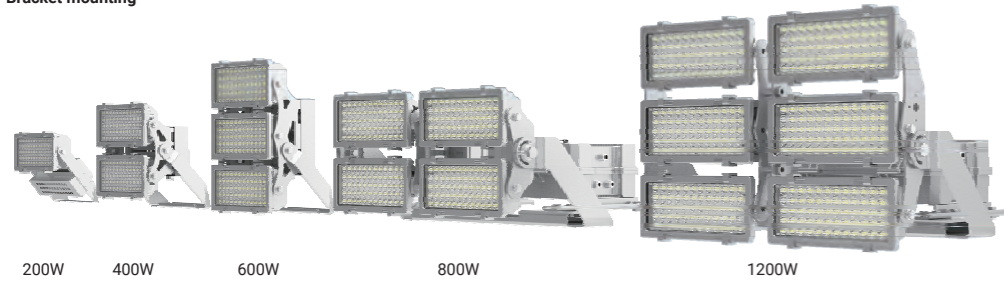
Accessories



Visor
 SPCC materials for single LED module.
 Code: BC-F13-04

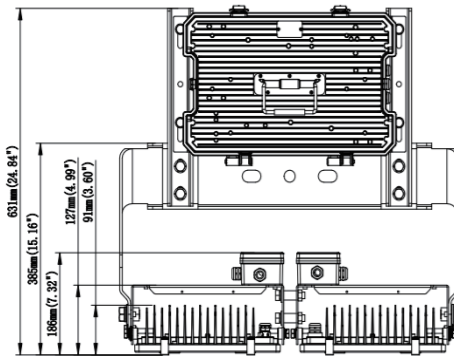
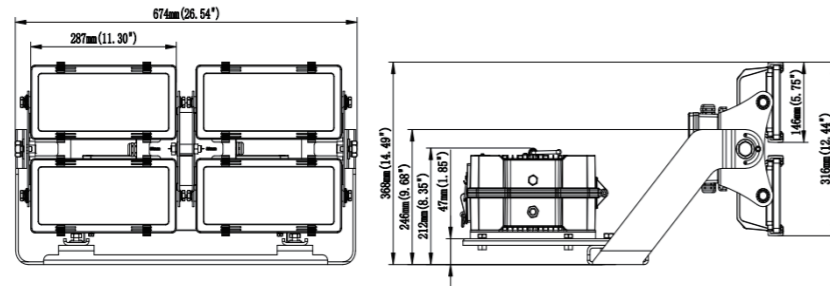
Mounting Options

Bracket mounting

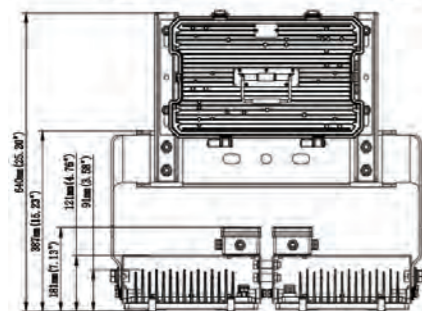
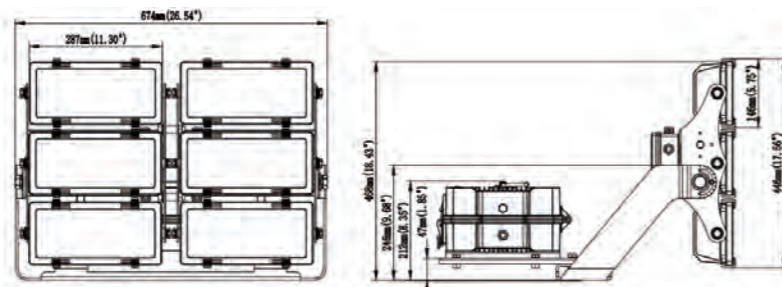


Dimensions

800W

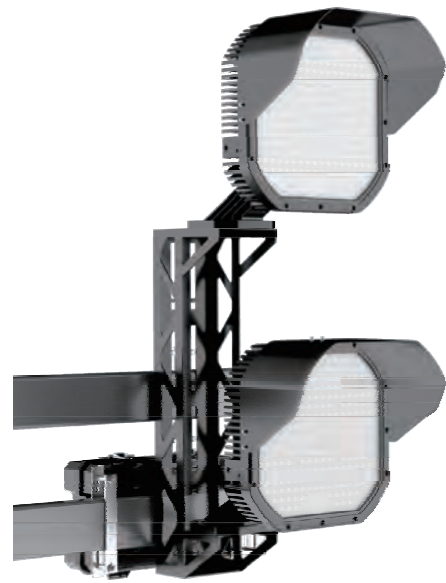


1200W



Specifications - FL18 Gpower LED Flood Light

Version: 3.0



Electrical Information			
Model No.	FL18-600	Driver Box(600W)	Driver Box(1200W)
Power Consumption(±5%)	600W	600W	1200W
Power Supply	/	Inventronics Driver or Sosen Driver	
Input Voltage	DC 126 V	/	
Power Factor	/	>0.92	
Surge Protection	/	6kV line-line, 10kV line-earth	
Driver Type	/	Constant Current (CC)	
Control	/	1-10V dimmable, DALI 2, DMX Control	

Optic Information	
LED Type 1	LED 5050
Luminous Flux (±10%)	84000lm
Efficacy(5000K Ra70)	140LM/W
Beam Angle	F25203(30°), F25204(TypeII very short)
LED Type 2	LED 3737
Luminous Flux (±10%)	84000lm
Efficacy(5000K Ra70)	130LM/W
Beam Angle	F25201(10°), F25202(15°)
Correlated Color Temperature	5000K (3000K, 4000K, 5700K optional)
Color Rendering Index	Ra70 (Ra80, Ra90 optional)
UGR level	NA

Dimensions and Mount			
Product Dimension	411×583×436mm	458×278×159mm	
Luminaire Net Weight	11.5±0.3kg	8.7±0.3kg	12.5±0.3kg
Export Carton Size	456×176×650mm	477×340×210mm	
Gross Weight	12.8±0.3kg	9.7±0.3kg	13.5±0.3kg
Mounting Option	U type bracket mounting, arm bracket mounting		
Material	Aluminum Alloy		
Finish	Powder Coating		
Fixture Color	Black		
EPA	2.14ft²	1.64ft²	
IK Rating	IK08, IK10		
IP Rating	IP66		

Lifespan and Warranty	
Operating Temperature	-30°C to + 50°C
Life Time of LED @Ta=25°C	45,000hrs-L90 94,000hrs-L80 149,000hrs-L70
Warranty	5 Years

New Features	
<ul style="list-style-type: none"> • U type bracket • Integrated driver box 	
* Please consult us for details.	

Description

Gpower is a premium 600W floodlight, 100% flicker-free, supports HDTV live broadcasting, ideal for use at the larger soccer field, stadiums, etc. It has a huge advantage for high pole mounting where requires precise lighting performance on every position on the ground. Thanks to professional optic design, the lighting distribution available in 10deg, this fixture can bolt on a visor to minimize glare and can be adjusted vertically also horizontally, which makes sure each place has enough lighting, finally bring you a fantastic lighting uniformity. Gpower helps to do some big projects!

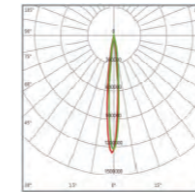
Key Features

- All into one, cold-forging technology heat sink with good heat dissipation.
- High system efficiency 140lm/W, lumen package up to 84000lm.
- Precise lighting distribution 10°/30° to offer excellent light pollution control.
- Bracket with universal angle adjustment by horizontally and vertically.
- Strong anti-corrosion, fixture body handed by electrophoresis and powder coating.
- Quick install and efficient maintenance, driver box can be fixed together with the body or put aside.

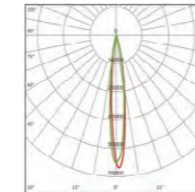
Applications

- For sports court
- For Billboard lighting
- Exhibition Center
- Shopping Mall
- Accent lighting
- Parking lots

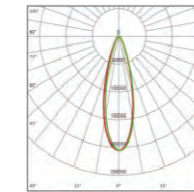
Photometry



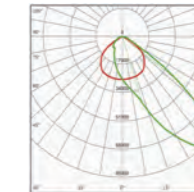
F25201
10°



F25202
15°



F25203
30°



F25204
Type II very short

Mounting Options



Arm bracket mount



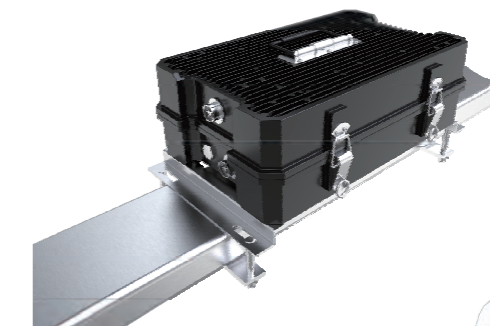
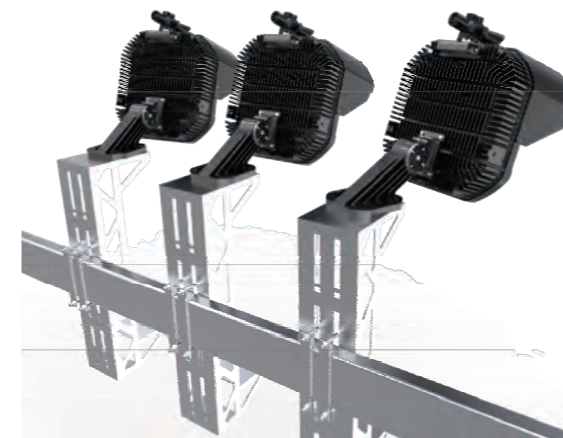
U bracket mount



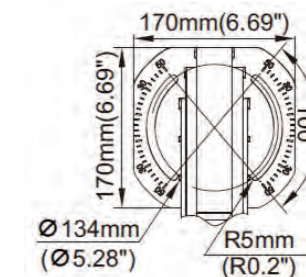
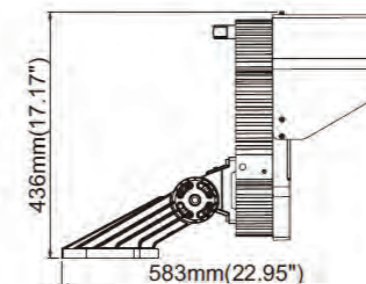
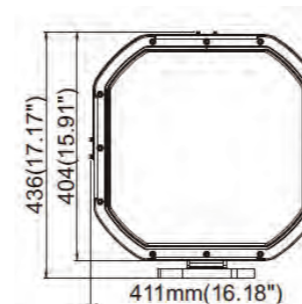
Remote driver box



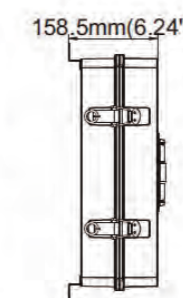
Back up driver box



Dimensions



Fixture



600W/1200W Driver box

Accessories



Aiming device

Exact aiming to help easy install upon lighting simulation.

Code: AD-A00-01



Adjustable bracket for Aiming device

SPCC materials, installed in fixture body 20° beam angle adjustable.

Code: BC-A00-01



Visor

SPCC materials.

Code: BC-F18-01



U bracket

SPCC materials.

Code: BC-F18-04



CE CB RoHS

Description

FL27 HeLios is a superior high output, high efficiency LED flood light, which is the ideal solution for professional stadium lighting and sports fields. Cold forged heat sink with sun flower fin design make it's better heat dissipation. Narrow beam angle 11° specially design for higher installations above 98ft(29m), and medium beam angle 60° is designed for normal installation height.

Key Features

- High power 800W & 1200W up to 170m/W
- IP66, IK10 protection, high UV-resistant & corrosion-resistant provide a longer life time
- Versatile mounting bracket designed for easy installation
- Optional light shield to reduce uplight
- Directional and removable laser available to achieve accurate installation
- 1-10V, DALI, DMX smart control are available
- 5 years warranty

Applications

- Outdoor sports fields
- Square
- Stadium
- Exhibition Center
- Soccer field

Electrical Information

Model No.	FL27-800	FL27-1K2
Power Consumption(±5%)	800W	1200W
Power Supply	SOSEN	
Input Voltage	200-240VAC , 50 / 60 Hz	
Power Factor	>0.92	
Surge Protection	10kV line-line, 20kV line-earth	
Driver Type	Constant Current (CC)	
Control	Dimmable, DALI 2, DMX Zigbee Wireless Control	

Optic Information

LED Type	LED 3737	LED 5050	LED 3737	LED 5050
Luminous Flux (±10%)	120000lm	128000lm	180000lm	192000lm
Efficacy(5000K Ra70)	150lm/W	160lm/W	150lm/W	160lm/W
Correlated Color Temperature	5000K (4000K,5700K optional)			
Color Rendering Index	Ra70 (Ra80 optional)			
Beam Angle	F07501, F07502, F11001, F11002			
UGR level	NA			

Dimensions and Mount

Product Dimension	510x526x483mm	535x561x488mm
Luminaire Net Weight	31.2±0.3kg	33.2±0.3kg
Export Carton Size	600x600x610mm	
Gross Weight	38±0.3kg	40±0.3kg
Mounting Option	Bracket Mounting NA	
Material	Aluminum Alloy Polycarbonate Optical Lens	
Finish	Powder Coating	
Fixture Color	Black body	
EPA	1.72ft ²	2.26ft ²
IK Rating	IK10	
IP Rating	IP66	

Lifespan and Warranty

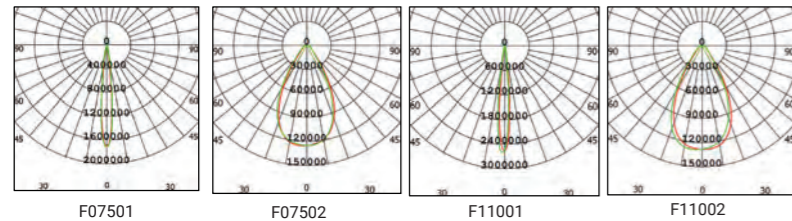
Operating Temperature	-30°C to + 40°C(-22°F to 104°F)
Life Time of LED @Ta=25°C	53000hrs-L90 111000hrs-L80 178000hrs-L70
Warranty	5 Years

New Features

* Please consult us for details.

Photometry

800W/1200W beam angle



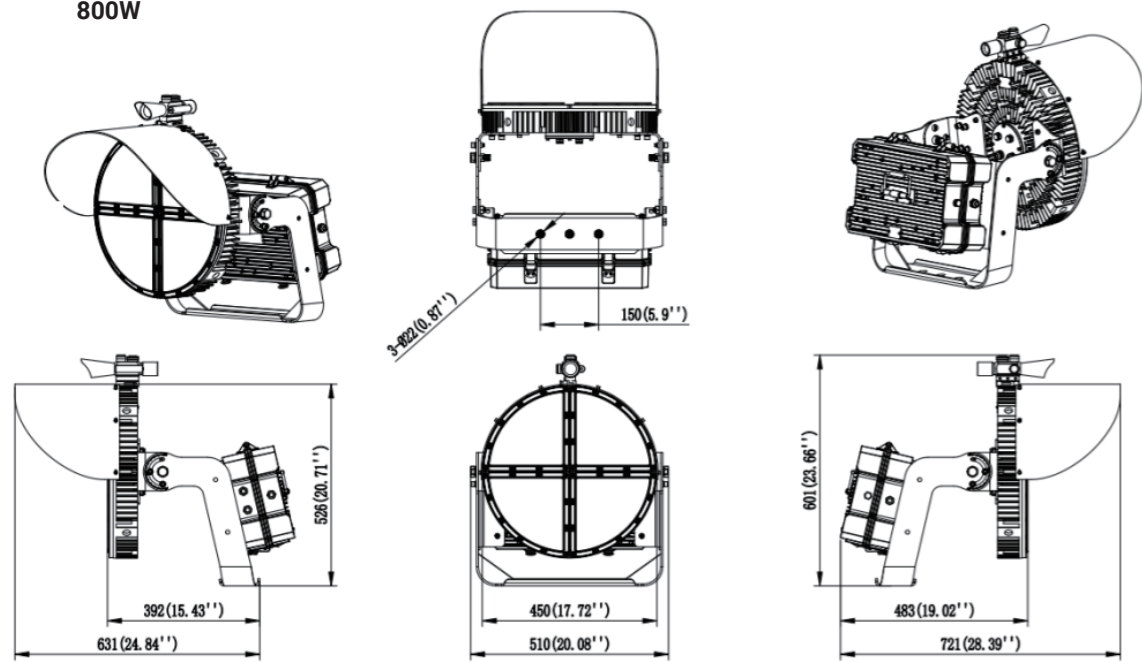
Mounting Options



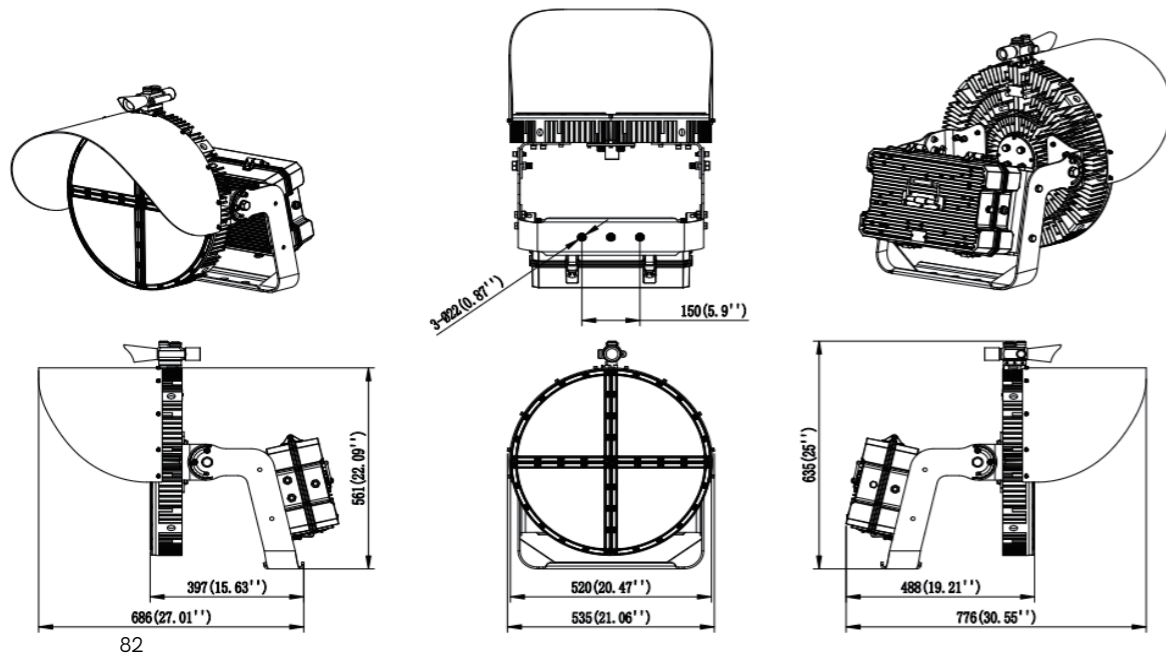
Bracket mounting

Dimensions

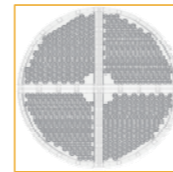
800W



1200W



Accessories



Optic lens
High transmittance PC materials, UV test approval.
Code: please refer to Photometry for different beam angle.



Precision Aiming Device
Accurate adjustment of luminaire projected position.



Aluminum Reflector
Effectively prevent light pollution.



Safety rope
Auxiliary safety device to prevent accidents.

Specifications - FL28 LED Sports Light

Version: 2.3



Electrical Information				
Model No.	FL28-600	FL28-800	FL28-1K0	FL28-1K2
Power Consumption(±5%)	600W	800W	1000W	1200W
Power Supply	SOSEN			
Input Voltage	200-240VAC / 277-480 VAC, 50 / 60 Hz			
Power Factor	>0.92			
Surge Protection	10KV line-line, 20KV line-earth			
Driver Type	Constant Current (CC)			
Control	Dimmable, DALI 2, DMX Zigbee Wireless Control			

Optic Information								
LED Type	LED 3737	LED 5050	LED 3737	LED 5050	LED 3737	LED 5050	LED 3737	LED 5050
Luminous Flux (±10%)	84000lm	96000lm	112000lm	128000lm	140000lm	160000lm	168000lm	192000lm
Efficacy(5000K Ra70)	140lm/W	160lm/W	140lm/W	160lm/W	140lm/W	160lm/W	140lm/W	160lm/W
Correlated Color Temperature	5000K (4000K,5700K optional)							
Color Rendering Index	Ra70 (Ra80 , Ra90 optional)							
Beam Angle	F19801, F19802, F19803, F19804, F19805, F19806, F19808							
UGR level	NA							



Description

FL28 LED sports light is designed for high mounting application, such as large soccer field, large plazas. 600W/800W/1000W/1200W with small beam angle could positioning certain area, to minimise glare and control the uniformity. Module could be adjusted vertically and horizontally to get the best light uniformity.

Key Features

- Modular design, 600W/800W/1000W/1200W.
- This convenient and humanized design enable it fit for different requests in outdoor lighting applications.
- Multiple optics option F19801, F19802, F19803, F19804, F19805, F19806, F19808 to offer excellent light pollution control.
- Excellent anti-corrosion performance.
- Efficiency up to 140lm/W, 160lm/W, more energy saving.
- Provided with 20KV Build-in Surge Protection Devices.

Dimensions and Mount

Product Dimension	731×597×356mm (28.78" x 23.5" x 14.02")	825×597×356mm (32.48" x 23.5" x 14.02")	
Luminaire Net Weight	26±0.3kg (57.2±0.66Lbs)	29.8±0.3kg (65.6±0.66Lbs)	33.2±0.3kg (73±0.66Lbs)
Export Carton Size	830x680x410mm(32.68"x26.77"x16.14")		
Gross Weight	32.9±0.3kg (72.4±0.66Lbs)	36.7±0.3kg (80.7±0.66Lbs)	40.1±0.3kg (88.2±0.66Lbs)
Mounting Option	Bracket Mounting NA		
Material	Aluminum Alloy Glass and Polycarbonate Optical Lens		
Finish	Powder Coating		
Fixture Color	Black body		
EPA	0.33M²	0.39M²	
IK Rating	IK08		
IP Rating	IP66		

Lifespan and Warranty

Operating Temperature	-30°C to + 40°C(-22°F to 104°F)
	53000hrs-L90
Life Time of LED @Ta=25°C	111000hrs-L80 178000hrs-L70
Warranty	5 Years

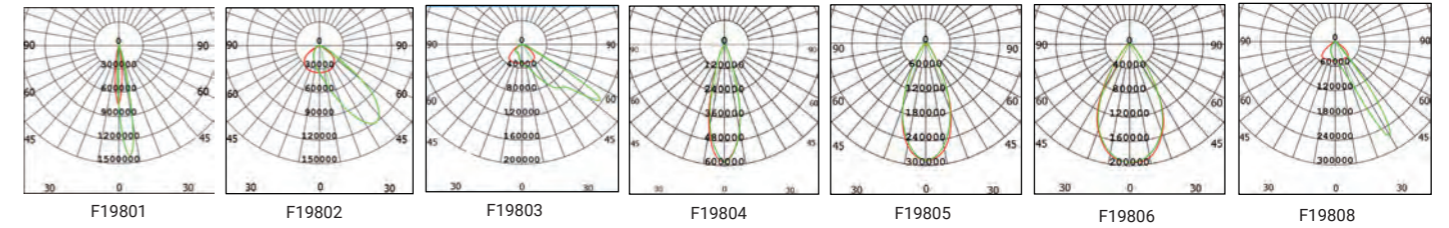
New Features

* Please consult us for details.

Applications

- Outdoor sports fields
- Square
- Stadium
- Exhibition Center
- Soccer field

Photometry



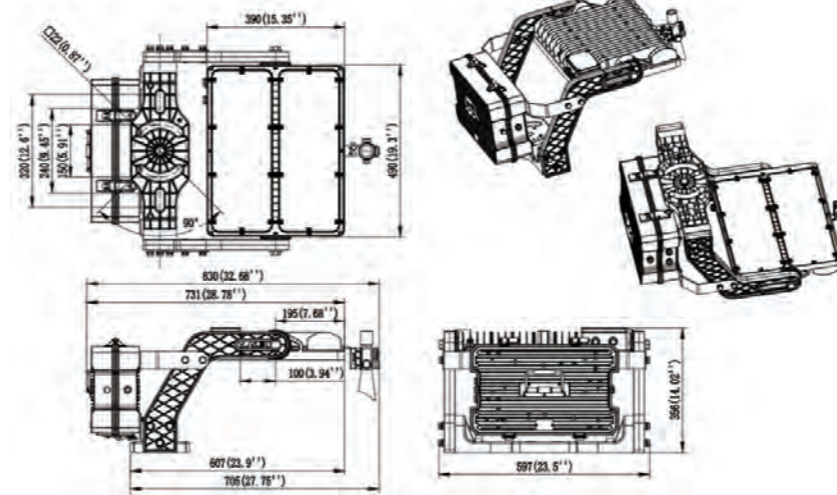
Mounting Options



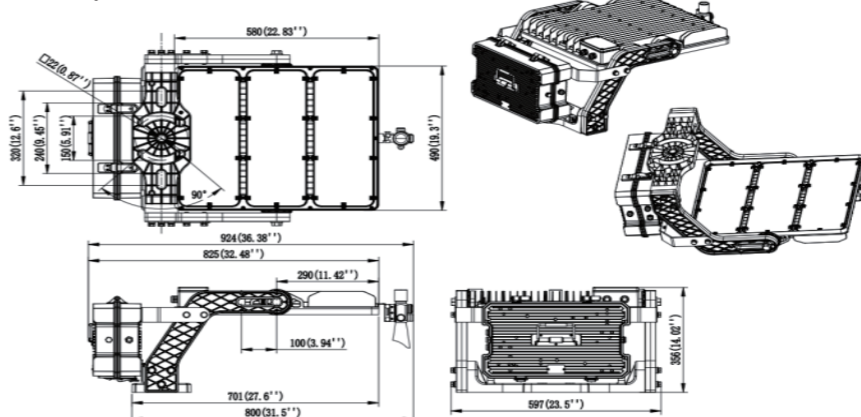
Bracket mounting

Dimensions

600/800W



1000/1200W





Optic lens
High transmittance PC materials, UV test approval.

Code: please refer to Photometry for different beam angle.



Precision Aiming Device
Accurate adjustment of luminaire projected position.



Safety rope
Auxiliary safety device to prevent accidents.



Specifications - FL33 LED Flood Light

Version: 1.1

Electrical Information					
Model No.	FL33-100	FL33-200	FL33-300	FL33-400	FL33-500
Power Consumption(±5%)	100W	200W	300W	400W	500W
Power Supply	PHILIPS				
Input Voltage	AC 220-240V, 50 / 60 Hz				
Power Factor	>0.9				
Surge Protection	4kV				
Driver Type	Constant Current (CC)				
Control	/				

Optic Information					
LED Type	LED 3030				
Luminous Flux (±10%)	15000lm	30000lm	45000lm	60000lm	75000lm
Efficacy(5000K Ra70)	150lm/W				
Correlated Color Temperature	5000K (3000K, 4000K optional)				
Color Rendering Index	Ra70 (Ra80, Ra90 optional)				
Beam Angle	F15003, F15004				
UGR level	/				

Description

FL33 supports flexible assembly of different wattage, from 100W to 500W. As the main light for large-area illumination, are widely used in many scenarios, such as factories, billboards, highways, railways, tunnels, bridges, culverts, squares, stadiums, buildings, etc. Meanwhile, we obtained patent protection for its appearance.

Key Features

- Modular design
- Stock single module 100W, easy to assemble 200W-500W.
- Various angles are available (60°, T2)
- High efficiency up to 145lm/w.
- Provide multiple installation holes for options, application scenarios are more diverse.
- The whole fittings comes with excellent heat dissipation, low temperature and longer span life.

Applications

- Indoor and outdoor high ceiling application
- Warehouse
- Factory
- Industrial facility
- Chemical Facilities
- Exhibition centers
- Shopping malls
- Stadiums
- Toll stations

Dimensions and Mount

Product Dimension	394x165x103 mm	448x315x117 mm	448x445x117 mm	448x575x117 mm	448x705x117 mm
Luminaire Net Weight	2.1±0.3kg	7.1±0.3kg	9.5±0.3kg	11.6±0.3kg	13.8±0.3kg
Export Carton Size	445x240x175 mm	500x410x195 mm	555x510x215 mm	685x510x215 mm	815x510x215 mm
Gross Weight	2.7±0.3kg	8.4±0.3kg	11.3±0.3kg	13.6±0.3kg	16.1±0.3kg
Mounting Option	Bracket Mounting				
Material	Aluminum Alloy				
	Polycarbonate Optical Lens				
Finish	Powder Coating				
Fixture Color	Black				
EPA	0.54ft²	1.19ft²	1.82ft²	2.45ft²	3.08ft²
IK Rating	IK10				
IP Rating	IP66				

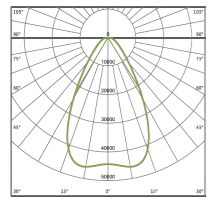
Lifespan and Warranty

Operating Temperature	-30°C to + 50°C
Life Time of LED @Ta=25°C	80000hrs-L80
	127000hrs-L70
Warranty	5 Years

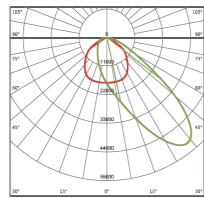
New Features

* Please consult us for details.

Photometry



F15003



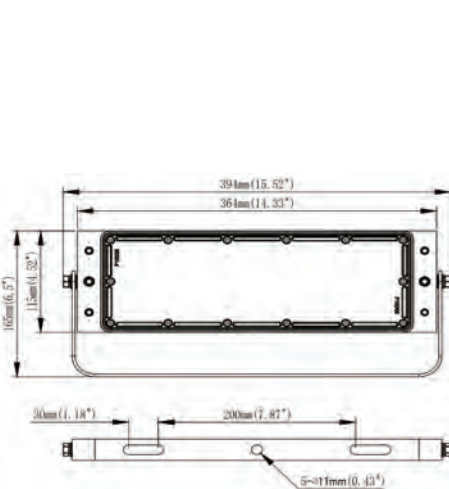
F15004

Mounting Options

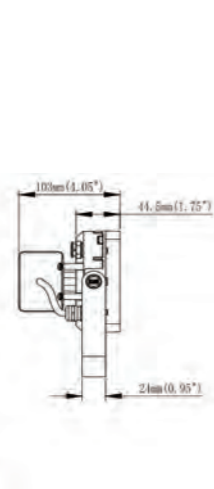


Bracket mounting

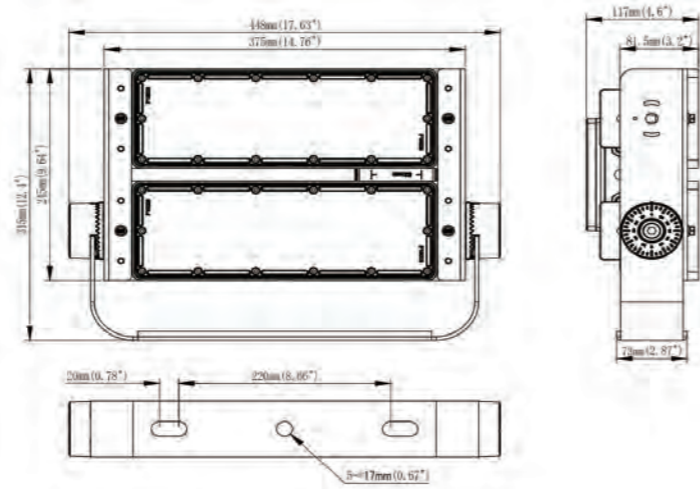
Dimensions



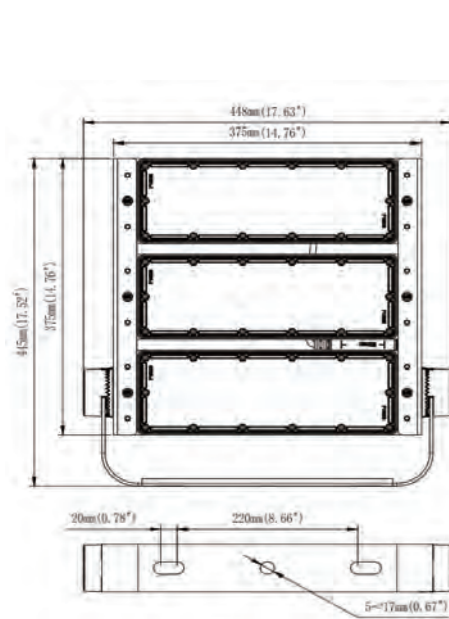
100W



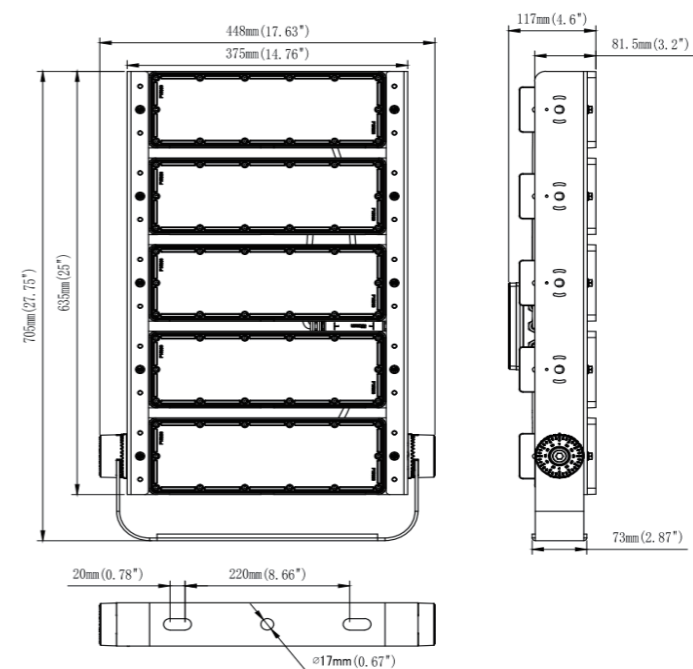
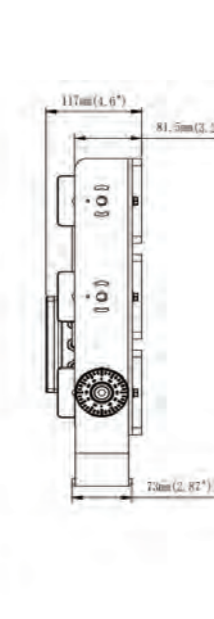
200W



300W



400W



500W

Accessories



Safety rope

Stainless steel rope, 1m length.

Code: SL-F33-01 (for 200W-500W)

Specifications - ST11 HiPole X LED Flood Light

Version: 3.0



Electrical Information					
Model No.	ST11-180	ST11-240	ST11-300	ST11-450	ST11-600
Power Consumption(±5%)	180W	240W	300W	450W	600W
Power Supply	Sosen, Meanwell (Only 600W 277-480V)				
Input Voltage	100-240VAC, 50 / 60 Hz				
Power Factor	>0.93				
Surge Protection	6kV line-line, 10kV line-earth				
Driver Type	Constant Current (CC)				
Control	Non dimmable 1-10V Dimmable / Photocell				

Optic Information					
LED Type	LED 5050				
Luminous Flux (±10%)	26100lm	34800lm	43500lm	65250lm	87000lm
Efficacy(5000K Ra70)	145lm/W				
Correlated Color Temperature	5000K (3000K, 4000K optional)				
Color Rendering Index	Ra70				
Beam Angle	R10502, R10503, R105034, R10505, R10506, R10507, R10509				
UGR level	N/A				

Description

Slim designed HiPole X is an excellent choice for new construction or retrofit application. The High output LED and glass lens provide outstanding uniformity and efficiency. Multiple asymmetric beam angle makes it flexible for different projects' requirement. It can replace existing HID/HPS/MW fixtures up to 1000W.

Key Features

- High output lumen efficiency, up to 145lm/W.
- The housing is made of 100% aluminum alloy and utilizes external airflow fins to get better heat dissipation
- More than 6 variety of beam angles to fit different applications, including Type II, III, IV, V.
- Multiple mounting options: round or square pole mount, U bracket mount as flood light.
- Electrophoresis and powder coating with strong anti-corrosion.
- Two sizes optional for 180W-600W.
- Provided with 10KV Surge Protection Devices.

Applications

- Parking lots
- Outdoor sports
- Square
- Stadium
- For recreational sports (tennis courts, basketball courts...)
- For Billboard lighting (Tall-type billboard, wide-type billboard)
- Exhibition Center
- Soccer field
- Grain and Sugar Production

* Lumen output and light distribution are only for reference. Not all product variations listed on this page are DLC Standard/Premium qualified. Visit www.designlights.org/search to confirm qualification.

Dimensions and Mount

Product Dimension (U Bracket/ Wall Mount)	685x362x94mm		740x658x104mm		
Luminaire Net Weight (U Bracket/ Wall Mount)	9.4±0.3 kg	10.1±0.3 kg	10.5±0.3 kg	21±0.3 kg	22.1±0.3 kg
Export Carton Size (U Bracket/ Wall Mount)	630x415x160mm		819x636x180mm		
Gross Weight(U Bracket/ Wall Mount)	10.3±0.3 kg	11.0±0.3 kg	11.5±0.3 kg	22.9±0.3 kg	24.4±0.3 kg
Mounting Option	Slipfitter Mount Arm/pole Mount U Bracket/ Wall Mount				
Material	Aluminum Alloy				
Finish	Powder Coating				
Fixture Color	Bronze /Black				
EPA	3.47ft²				
IK Rating	IK08				
IP Rating	IP66				

Lifespan and Warranty

Operating Temperature	-30°C to + 50°C
Life Time of LED @Ta=25°C	49000hrs-L90 110000hrs-L80 180000hrs-L70
Warranty	5 Years

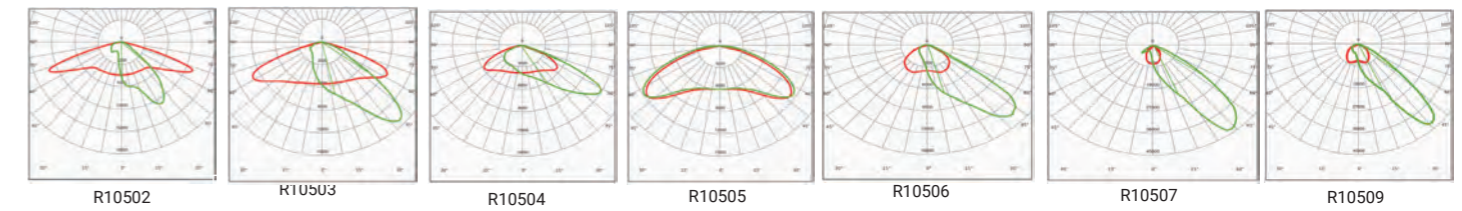
New Features

* Please consult us for details.

Specifications - ST11 HiPole X LED Flood Light

Version: 3.0

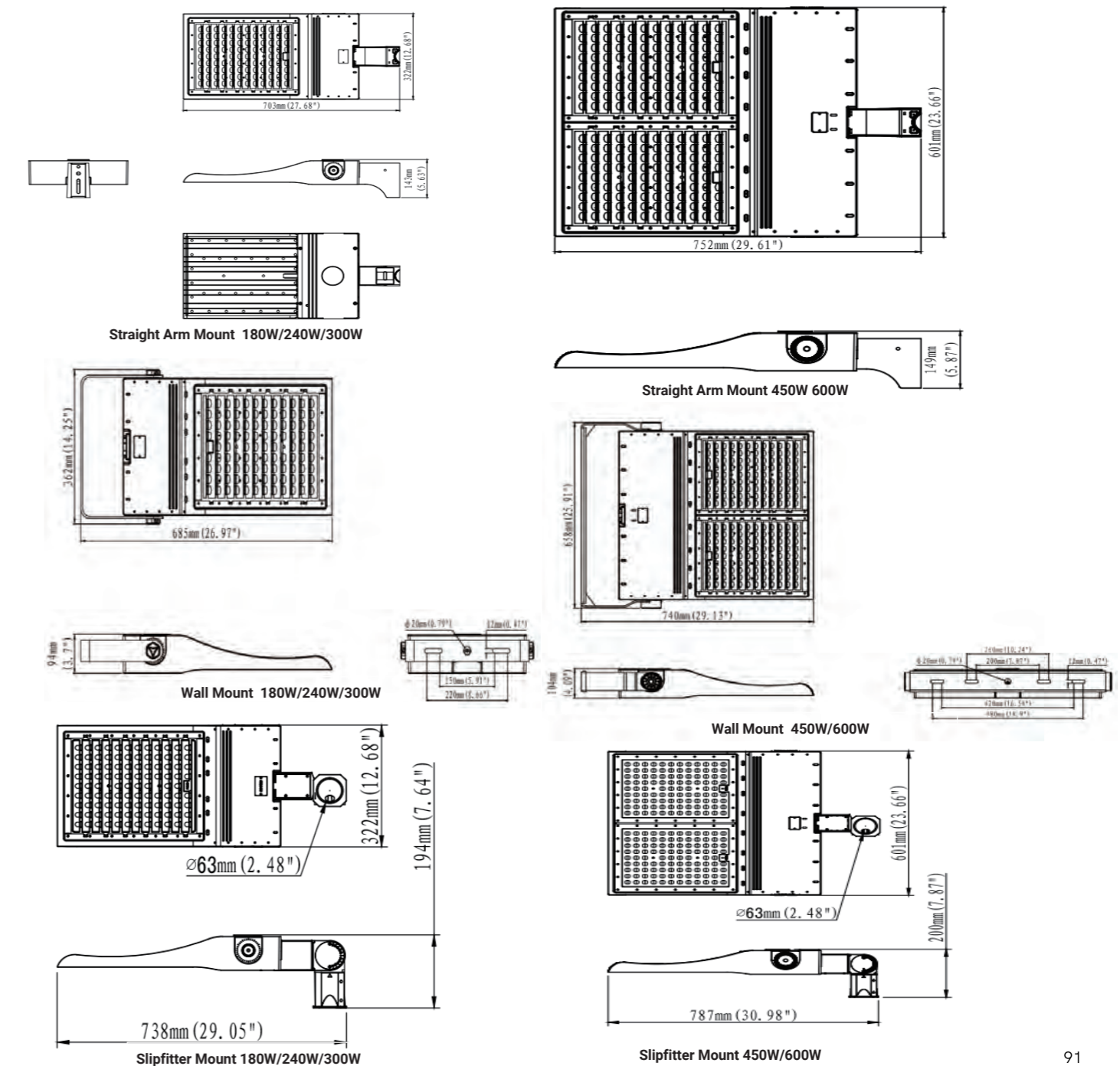
Photometry



Mounting Options



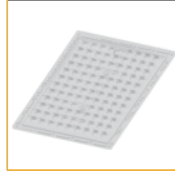
Dimensions



Specifications - ST11 HiPole X LED Flood Light

Version: 3.0

Accessories



PC Optic Lens
Refer to the Photometry



Slip Fitter mount adaptor
SPCC materials, for dia.60/ 76mm pole
Code: SP-R05-02



Pole mount adaptor
SPCC materials, for dia.60/ 76mm pole
Code: SP-R11-03



Pole mount adaptor
SPCC materials, for dia.60/ 76mm pole
Code: SP-R11-04



Wall mount adaptor
SPCC materials with outdoor powder coating.
Code: SP-R11-05a (for 180W,240W and 300W)
Code: SP-R11-05b (for 450W,600W)



Straight Arm mount adaptor
Q235 with Akzo Powder Coating materials,
for 100x100mm square pole.
Code: SP-R05-03



NEMA socket
3pin/ 5pin /7pin are optional.
Code: NS-A00-02(for 3pin)
Code: NS-A00-03(for 5pin)
Code: NS-A00-04(for 7pin)



Photocell control
ON-OFF automatically according to day
light.
Code: PS-A00-01



Shorting cap
Cover NEMA socket when it is not used.
Code: NS-A00-01



House-side Shield
PC Material for back light control .
Code: SPR11-06

Outdoor Area and Roadway Luminaires



170 LPW High efficiency 150-170lm/W

Strong Anti-corrosion

Bollards

Solar street light

Zhaga

LoRa

300w 300W street light

Step-dim, CLO or Dali

Suspension mounting

3G Test 3G vibration test verified

With motion sensor

Lens with glass

Urban & pedestrian paths

Class II optional

Lens without glass

Snow load

With optics for pedestrian crossing lighting



Specifications - ST03 HiSmooth LED Street Light Large size

Version: 3.1



Electrical Information						
Model No.	ST03-030	ST03-050	ST03-070	ST03-090	ST03-120	ST03-150
Power Consumption(±5%)	30W	50W	70W	90W	120W	150W
Power Supply	SOSEN					
Input Voltage	100-240 VAC, 50 / 60 Hz					
Power Factor	>0.90			≥0.92		
Surge Protection	6kV line-line, 10kV line-earth					
Driver Type	Constant Current (CC)					
Control	DALI Control/ Photocell					
	Timer Control/ Solar Optional					

Optic Information						
LED Type	LED 3030					
Luminous Flux (±10%)	4050lm	6750lm	9450lm	11700lm	15600lm	19500lm
Efficacy(4000K Ra70)	135lm/W			130lm/W		
Correlated Color Temperature	4000K (3000K, 5000K optional)					
Color Rendering Index	Ra70 (Ra80 optional)					
Beam Angle	R17601, R17602, R17603, R17604, R17605, R17611, R17612, R17613, R17614, R20001, R20002					
UGR level	N/A					

Dimensions and Mount				
Product Dimension	763x352x167mm (Side entry)			
Luminaire Net Weight	8.5±0.3kg	8.8±0.3kg	9.0±0.3kg	9.2±0.3kg
Export Carton Size	790x390x150mm			
Gross Weight	10.2±0.3kg	10.5±0.3kg	10.7±0.3kg	10.9±0.3kg
Mounting Option	Pole Mounting			
	Wall Mounting			
Material	Aluminum Alloy			
Finish	Powder Coating			
Fixture Color	Grey (RAL9006)			
EPA	3.47ft²			
IK Rating	IK08			
IP Rating	IP66			

Lifespan and Warranty	
Operating Temperature	-30°C to + 50°C
	49000hrs-L90
Life Time of LED @Ta=25°C	110000hrs-L80
	180000hrs-L70
Warranty	5 Years

New Features	
	• Timer dimming is available (for 30W-150W).
	• Timer Dimming with 7Pin NEMA Socket is optional.
	• Direct DC 12/24V input for Solar System is available.

* Please consult us for details.

Description

HiSmooth LED streetlight is low-profile, durable and state-of-the-art fixture. Designed for roadway and parking lot area.

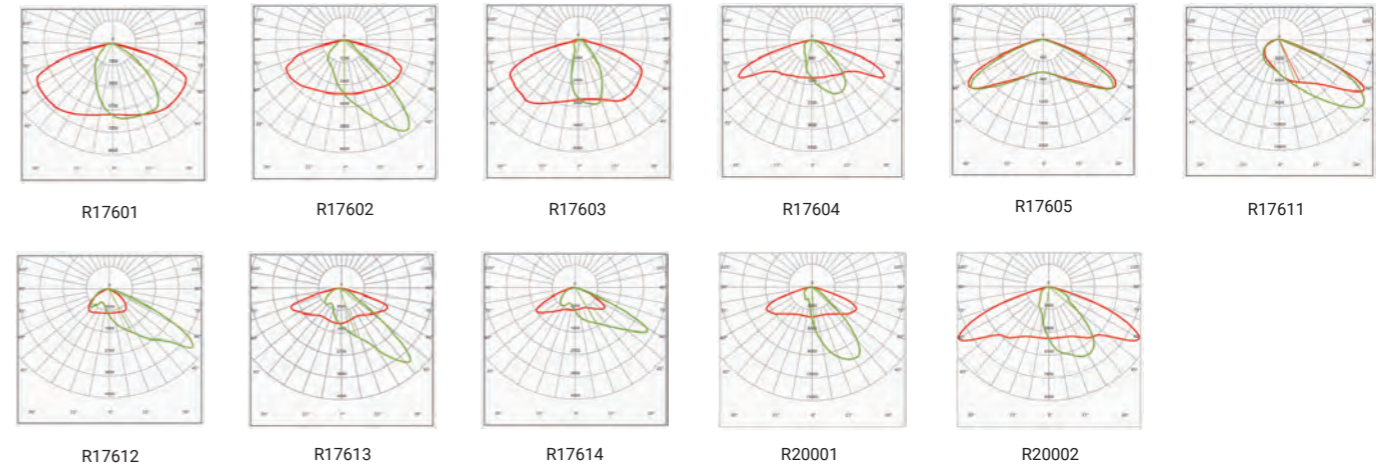
Key Features

- Classic smooth design, from 30W to 150W
- 135lm/W
- Tool-free open and maintenance, easy replacement for LED driver
- Power-off & 10KV Surge Protection
- Smart control: timer control dimming, photocell, DALI system
- Wide choice of optics and installation spigots

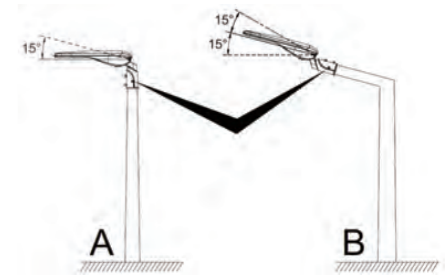
Applications

- Traffic routes
- Residential areas
- Plazas, parking lot areas

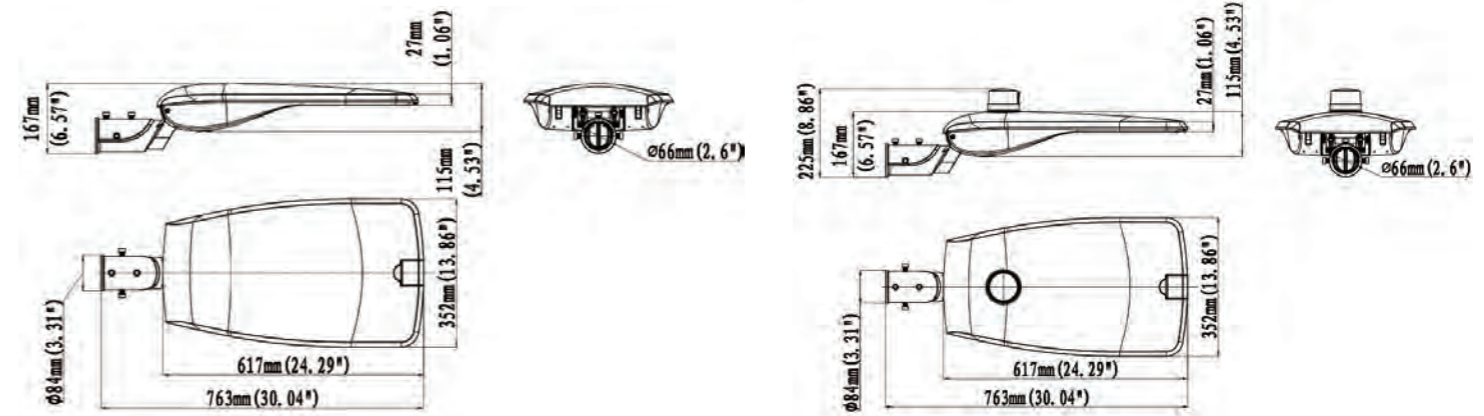
Photometry



Mounting Options



Dimensions



Standard Version

Photocell Version



Pole mount spigot
ADC12 materials, ±15° tilt adjustable, for dia.34/ 42/ 60/ 76mm pole.
Code: SP-R03-01 (for dia.34mm)
Code: SP-R03-02 (for dia.42mm)
Code: SP-R03-03 (for dia.60mm)
Code: SP-R03-04 (for dia.76mm)



Wall mount adaptor
SPCC materials with outdoor powder coating.
Code: SP-R03-05



T shape pole mount adaptor
Q235 with Akzo Powder Coating materials, for 100x100mm square pole.
Code: SP-R03-07



T shape pole mount adaptor
SPCC materials, for dia.60/ 76mm pole
Code: SP-R03-06 (for dia.60mm)
Code: SP-R03-08 (for dia.76mm)



L shape pole mount adaptor
Q235 materials, for 100x100mm square pole.
Code: SP-R03-10



L shape pole mount adaptor
SPCC materials, for dia.90mm pole
Code: SP-R03-09 (for dia.90mm)



Corner mount adaptor
SPCC materials with outdoor powder coating.
Code: SP-R19-02



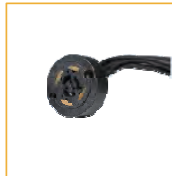
L shape pole mount adaptor
SPCC materials, for dia.60mm pole
Code: SP-R19-01 (for dia.60mm)



Photocell control
ON-OFF automatically according to day light.
Code: PS-A00-01



Shorting cap
Cover NEMA socket when it is not used.
Code: NS-A00-01



NEMA socket
3pin/ 5pin /7pin are optional.
Code: NS-A00-02 (for 3pin)
Code: NS-A00-03 (for 5pin)
Code: NS-A00-04 (for 7pin)



Description

HiSmooth LED streetlight is low-profile, durable and state-of-the-art fixture. Designed for roadway and parking lot area. The medium size is made to improve cost-effective for 30W-90W.

Key Features

- The medium size is made from 30W to 90W
- Die-cast housing made by durable and recyclable material
- The streamlined cooling fins hold super heat dissipation
- Easy & fast to install or main, low labor costs
- Automatic power-off protection and surge protection

Applications

- Countryside roads
- City roads, highway
- Residential areas
- Parking lot areas
- Plazas

Specifications - ST08 HiSmooth LED Street Light Medium size

Version: 3.1

Electrical Information				
Model No.	ST08-030	ST08-050	ST08-070	ST08-090
Power Consumption(±5%)	30W	50W	70W	90W
Power Supply	SOSEN			
Input Voltage	100-240 VAC, 50 / 60 Hz			
Power Factor	>0.92			
Surge Protection	6kV line-line, 10kV line-earth			
Driver Type	Constant Current (CC)			
Control	DALI Control/ Photocell Timer Control/ Solar Optional			

Optic Information				
LED Type	LED 3030			
Luminous Flux (±10%)	4050lm	6750lm	9450lm	11700lm
Efficacy(4000K Ra70)	135lm/W		130lm/W	
Correlated Color Temperature	4000K (3000K, 5000K optional)			
Color Rendering Index	Ra70 (Ra80 optional)			
Beam Angle	R09601, R09602, R09603, R09604, R09605, R09606			
UGR level	N/A			

Dimensions and Mount		
Product Dimension	680x282x160mm (Side Entry)	
Luminaire Net Weight	6.5±0.3kg	6.8±0.3kg
Export Carton Size	700x350x145mm	
Gross Weight	8.1±0.3kg	8.5±0.3kg
Mounting Option	Pole Mounting Wall Mounting	
Material	Aluminum Alloy Tempered Glass+Polycarbonate Optical Lens	
Finish	Powder Coating	
Fixture Color	Grey (RAL9006)	
EPA	2.48ft²	
IK Rating	IK08	
IP Rating	IP66	

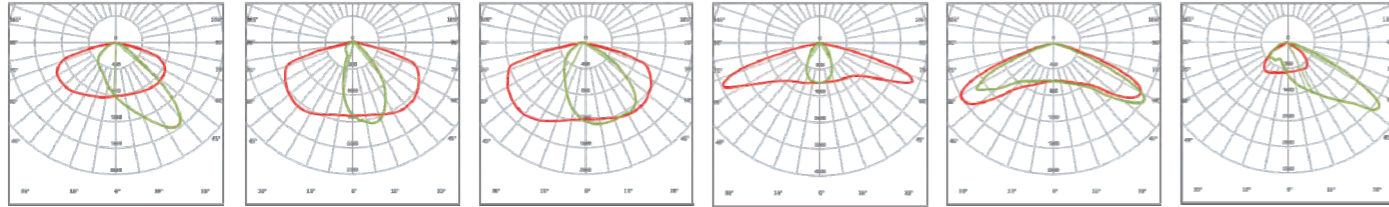
Lifespan and Warranty	
Operating Temperature	-30°C to + 50°C
Life Time of LED @Ta=25°C	67000hrs-L90 146000hrs-L80 236000hrs-L70
Warranty	5 Years

New Features

- Timer dimming is available (for 30W-150W).
- Timer Dimming with 7Pin NEMA Socket is optional.
- Direct DC 12/24V input for Solar System is available.
- Wireless Control Available.

* Please consult us for details.

Photometry



R09601

R09602

R09603

R09604

R09605

R09606

Mounting Options



Side entry mounting



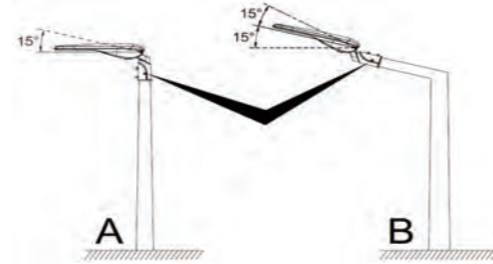
Post top mounting



Wall mounting

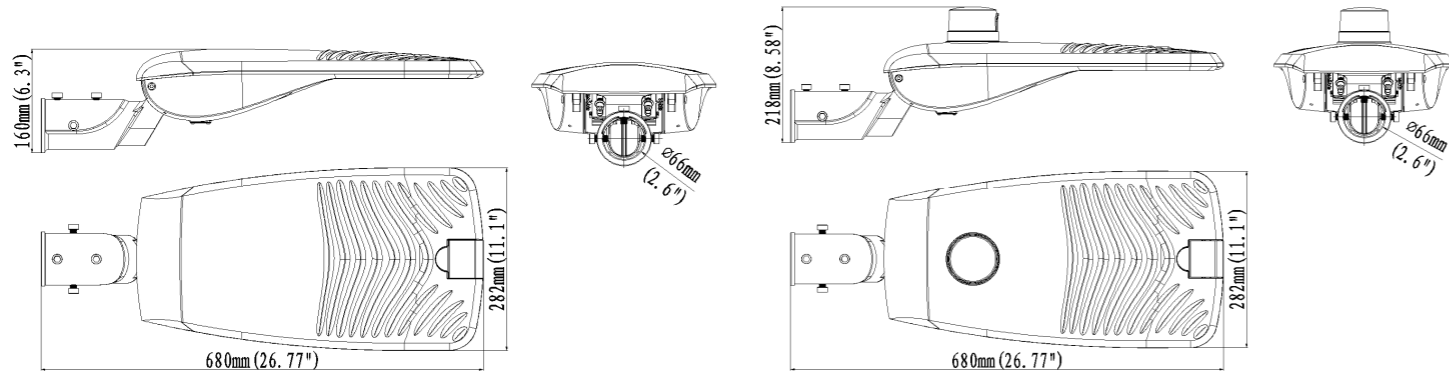


Corner mounting



±15° tilt adjustable

Dimensions



Standard Version

Photocell Version

Accessories



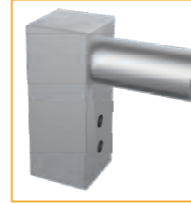
Pole mount spigot

ADC12 materials, ±15° tilt adjustable, for dia.34/ 42/ 60/ 76mm pole.
Code: SP-R03-01(for dia.34mm)
Code: SP-R03-02(for dia.42mm)
Code: SP-R03-03(for dia.60mm)
Code: SP-R03-04(for dia.76mm)



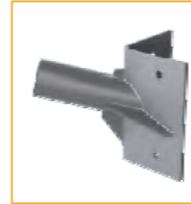
T shape pole mount adaptor

Q235 with Akzo Powder Coating materials, for 100x100mm square pole.
Code: SP-R03-07



L shape pole mount adaptor

Q235 materials, for 100x100mm square pole.
Code: SP-R03-10



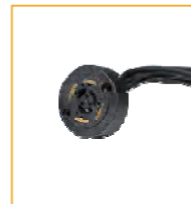
Corner mount adaptor

SPCC materials with outdoor powder coating.
Code: SP-R19-02



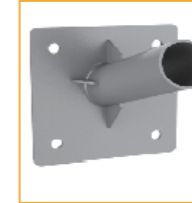
Photocell control

ON-OFF automatically according to day light.
Code: PS-A00-01



NEMA socket

3pin/ 5pin /7pin are optional.
Code: NS-A00-02(for 3pin)
Code: NS-A00-03(for 5pin)
Code: NS-A00-04(for 7pin)



Wall mount adaptor

SPCC materials with outdoor powder coating.
Code: SP-R03-05



T shape pole mount adaptor

SPCC materials, for dia.60/ 76mm pole
Code: SP-R03-06(for dia.60mm)
Code: SP-R03-08(for dia.76mm)



L shape pole mount adaptor

SPCC materials, for dia.90mm pole
Code: SP-R03-09(for dia.90mm)



L shape pole mount adaptor

SPCC materials, for dia.60mm pole
Code: SP-R19-01(for dia.60mm)



Shorting cap

Cover NEMA socket when it is not used.
Code: NS-A00-01

Specifications - ST18 HiSmooth LED Street Light

Small size

Version: 3.1



Electrical Information			
Model No.	ST18-015	ST18-020	ST18-030
Power Consumption(±5%)	15W	20W	30W
Power Supply	SOSEN		
Input Voltage	100-240 VAC, 50 / 60 Hz		
Power Factor	>0.92		
Surge Protection	6kV line-line, 10kV line-earth		
Driver Type	Constant Current (CC)		
Control	DALI Control/ Photocell Timer Control		

Optic Information			
LED Type	LED 3030		
Luminous Flux (±10%)	1875lm	2500lm	3750lm
Efficacy(4000K Ra70)	125lm/W		
Correlated Color Temperature	4000K (3000K, 5000K optional)		
Color Rendering Index	Ra70 (Ra80 optional)		
Beam Angle	R05001,R05002, R05003		
UGR level	N/A		

Description

HiSmooth LED streetlight is low-profile, durable and state-of-the-art fixture. Designed for roadway and parking lot area. The medium size is made to improve cost-effective for 30W-90W.

Key Features

- The small size is made from 15W to 30W
- Die-cast housing made by durable and recyclable material
- The streamlined cooling fins hold super heat dissipation
- Easy & fast to install or main, low labor costs
- Automatic power-off protection and surge protection

Dimensions and Mount

Product Dimension	613x222x159 mm(Side Entry)
Luminaire Net Weight	4.1±0.3kg
Export Carton Size	700x350x145mm
Gross Weight	4.8 ± 0.3kg
Mounting Option	Pole Mounting Wall Mounting
Material	Aluminum Alloy Tempered Glass+Polycarbonate Optical Lens
Finish	Powder Coating
Fixture Color	Grey (RAL9006)
EPA	1.33ft²
IK Rating	IK08
IP Rating	IP66

Lifespan and Warranty

Operating Temperature	-30°C to + 50°C
Life Time of LED @Ta=25°C	67000hrs-L90
	146000hrs-L80
	236000hrs-L70
Warranty	5 Years

Applications

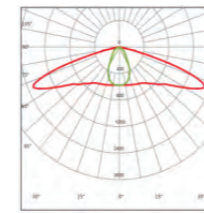
- Countryside roads
- City roads, highway
- Residential areas
- Parking lot areas
- Plazas

New Features

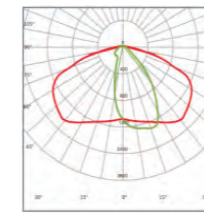
- Timer dimming is available (for 15W-30W).
- Timer Dimming with 7Pin NEMA Socket is optional.
- Direct DC 12/24V input for Solar System is available.
- ZHAGA must be connected with DALI driver+24V Auxiliary.

* Please consult us for details.

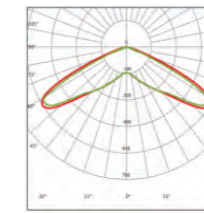
Photometry



R05001



R05002



R05003

Mounting Options



Side entry mounting



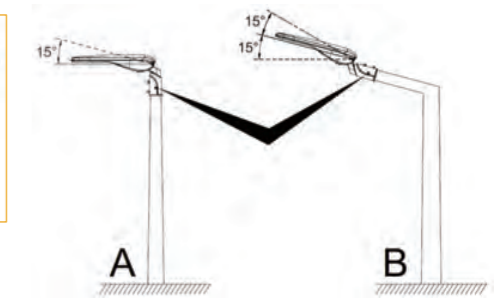
Post top mounting



Wall mounting

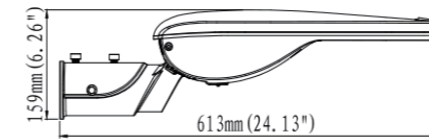
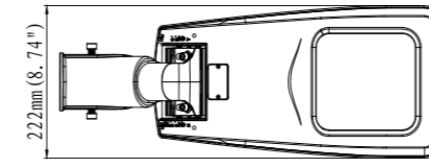


Corner mounting

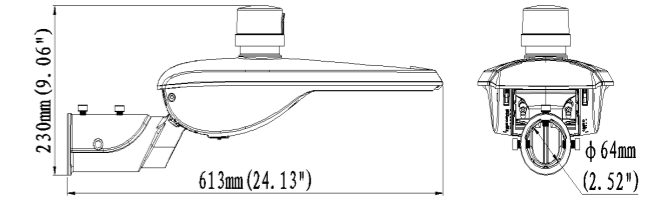
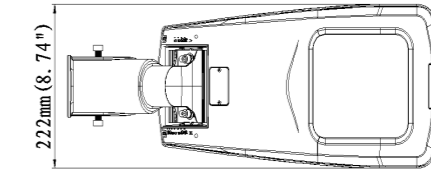


±15° tilt adjustable

Dimensions



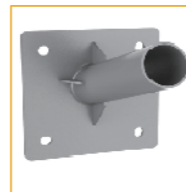
Standard Version



Photocell Version



Pole mount spigot
ADC12 materials, ±15° tilt adjustable, for dia.34/ 42/ 60/ 76mm pole.
Code: SP-R03-01(for dia.34mm)
Code: SP-R03-02(for dia.42mm)
Code: SP-R03-03(for dia.60mm)
Code: SP-R03-04(for dia.76mm)



Wall mount adaptor
SPCC materials with outdoor powder coating.
Code: SP-R03-05



T shape pole mount adaptor
Q235 with Akzo Powder Coating materials, for 100x100mm square pole.
Code: SP-R03-07



T shape pole mount adaptor
SPCC materials, for dia.60/ 76mm pole
Code: SP-R03-06(for dia.60mm)
Code: SP-R03-08(for dia.76mm)



L shape pole mount adaptor
Q235 materials, for 100x100mm square pole.
Code: SP-R03-10



L shape pole mount adaptor
SPCC materials, for dia.90mm pole
Code: SP-R03-09(for dia.90mm)



Corner mount adaptor
SPCC materials with outdoor powder coating.
Code: SP-R19-02



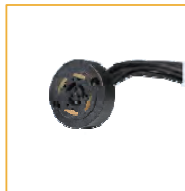
L shape pole mount adaptor
SPCC materials, for dia.60mm pole
Code: SP-R19-01(for dia.60mm)



Photocell control
ON-OFF automatically according to day light.
Code: PS-A00-01



Shorting cap
Cover NEMA socket when it is not used.
Code: NS-A00-01



NEMA socket
3pin/ 5pin /7pin are optional.
Code: NS-A00-02(for 3pin)
Code: NS-A00-03(for 5pin)
Code: NS-A00-04(for 7pin)



Description

HiSmooth-X from 30W to 300W premium street light with unique design for road lighting and parking lighting.

Key Features

- Smart structure, separated by two parts. Just one person can open the top cover by 45deg to detach it.
- 140lm/W, IP66, IK08, 10KV
- Various professional optics for optional.
- Smart control: timer control dimming, photocell, DALI system.
- Adaptor: 34mm, 42mm, 60mm, 76mm pole mount adaptor square, L, corner and wall amount adaptor.
- External vent, avoided internal fogging and frosting.
- Bubble level, accurate the installation in one minute.
- ENEC, Class II are available.

Applications

- Fast-speed, Medium-speed, and Low-speed roads
- Parking lot
- Outdoor sports ground
- Square centers

Specifications - ST10 HiSmooth X LED Street Light

Version: 3.1

Electrical Information

Model No.	ST10-030	ST10-050	ST10-070	ST10-090	ST10-120	ST10-150	ST10-180	ST10-240	ST10-300
Power Consumption(±5%)	30W	50W	70W	90W	120W	150W	180W	240W	300W
Power Supply	SOSEN								
Input Voltage	100-240 VAC, 50 / 60 Hz								
Power Factor	>0.90			≥0.92			>0.90		>0.92
Surge Protection	6kV line-line, 10kV line-earth								
Driver Type	Constant Current (CC)								
Control	DALI Control/ Photocell/ 1-10V dim/ PWM Timer Control/ Solar Optional								

Optic Information

LED Type	LED 3030								
Luminous Flux (±10%)	4200lm	7000lm	9800lm	12600lm	16800lm	21000lm	26100lm	34800lm	43500lm
Efficacy(4000K Ra70)	140lm/W								
Correlated Color Temperature	4000K (3000K, 5000K optional)								
Color Rendering Index	Ra70 (Ra80 optional)								
Beam Angle	R09601, R09602, R09603, R09604, R09605, R09606			R17601, R17602, R17603, R17604, R17605, R17611, R17612, R17613, R17614, R20001, R20002			R01601, R01602, R01603, R01604, R01605, R01606, R01607, R01609, R01610, R01611, R01613		
UGR level	N/A								

Dimensions and Mount

Product Dimension	649×272×179mm (Side Entry)	762×336×179mm (Side Entry)	889×378×192mm (Side Entry)		
Luminaire Net Weight	5.9±0.3kg	7.9±0.3kg	8.1±0.3kg	10±0.3kg	
Export Carton Size	687×312×160mm		816×376×160mm	922×428×160mm	
Gross Weight	6.9 ± 0.3kg		8.5± 0.3kg	8.7± 0.3kg	11.9± 0.3kg
Mounting Option	Pole Mounting Wall Mounting				
Material	Aluminum Alloy Tempered Glass+Polycarbonate Optical Lens				
Finish	Powder Coating				
Fixture Color	Grey (RAL9006)				
EPA	1.75ft²	2.18ft²	3.55ft²		
IK Rating	IK08				
IP Rating	IP66				

Lifespan and Warranty

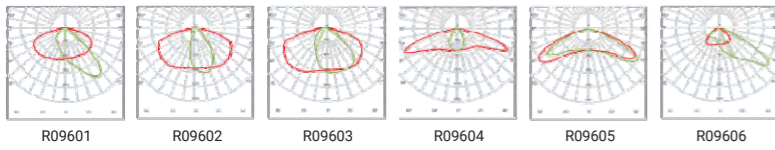
Operating Temperature	-30°C to + 50°C		
Life Time of LED @Ta=25°C	49000hrs-L90	36000hrs-L90	
	110000hrs-L80	83000hrs-L80	
	180000hrs-L70	137000hrs-L70	
Warranty	5 Years		

New Features

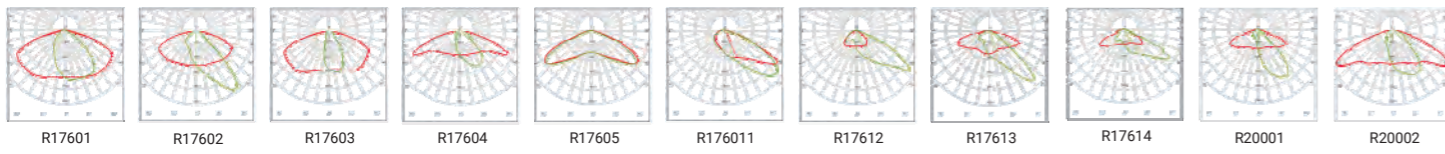
- Timer dimming is available.
- DALI Solution is available.
- Customized special adaptor is available.
- Customized visor is available.
- Customized color is available, MOQ is 500 pcs.

* Please consult us for details.

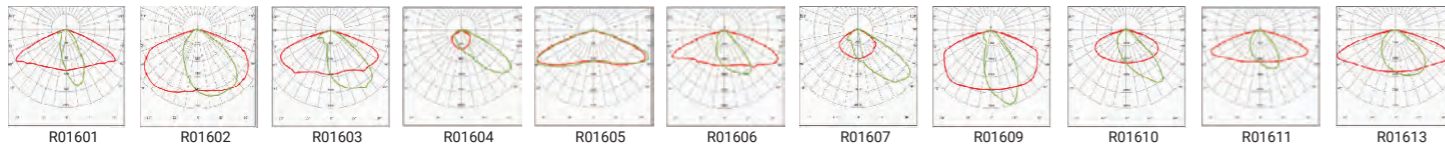
30W-70W beam angle



90W-150W beam angle



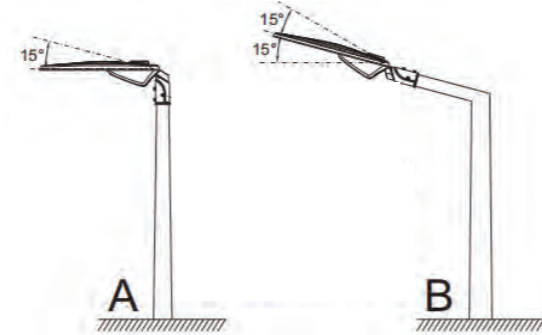
180W-300W beam angle



Mounting Options



Side entry mounting Post top mounting Wall mounting Corner mounting



Pole mount spigot
ADC12 materials, ±15° tilt adjustable, for dia.34/ 42/ 60/ 76mm pole.
Code: SP-R03-01(for dia.34mm)
Code: SP-R03-02(for dia.42mm)
Code: SP-R03-03(for dia.60mm)
Code: SP-R03-04(for dia.76mm)



Wall mount adaptor
Q235+SPCC materials with outdoor powder coating.
Code: SP-R03-05



T shape pole mount adaptor
Q235+SPCC with Akzo Powder Coating materials, for 100x100mm square pole.
Code: SP-R03-07



T shape pole mount adaptor
Q235 materials, for dia.60/ 76mm pole
Code: SP-R03-06(for dia.60mm)
Code: SP-R03-08(for dia.76mm)
Code: SP-R03-08a(for dia.90mm)



L shape pole mount adaptor
Q235+SPCC materials, for 100x100mm square pole.
Code: SP-R03-10



L shape pole mount adaptor
Q235 materials, for dia.90mm pole
Code: SP-R03-09(for dia.90mm)
Code: SP-R03-09a(for dia.76mm)
Code: SP-R19-01(for dia.60mm)



Corner mount adaptor
SPCC materials with outdoor powder coating.
Code: SP-R19-02



Post top Mount adaptor
Q235 materials, 76mm to 60mm Adaptor
Code: SP-R03-16(for dia 76mm pole)



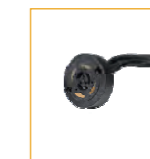
Triple adaptor
Q235 materials, with outdoor powder coating, 90° 3 ways
Code: SP-R03-14(for dia. 90mm)



Quad adaptor
Q235 materials with outdoor powder coating, 90° 4 ways
Code: SP-R03-15(for dia.90mm)



Twin adaptor
Q235 materials, 90° 2 ways
Code: SP-R03-13(for dia 90mm pole)



NEMA socket
3pin/ 5pin /7pin are optional.
Code: NS-A00-02(for 3pin)
Code: NS-A00-03(for 5pin)
Code: NS-A00-04(for 7pin)

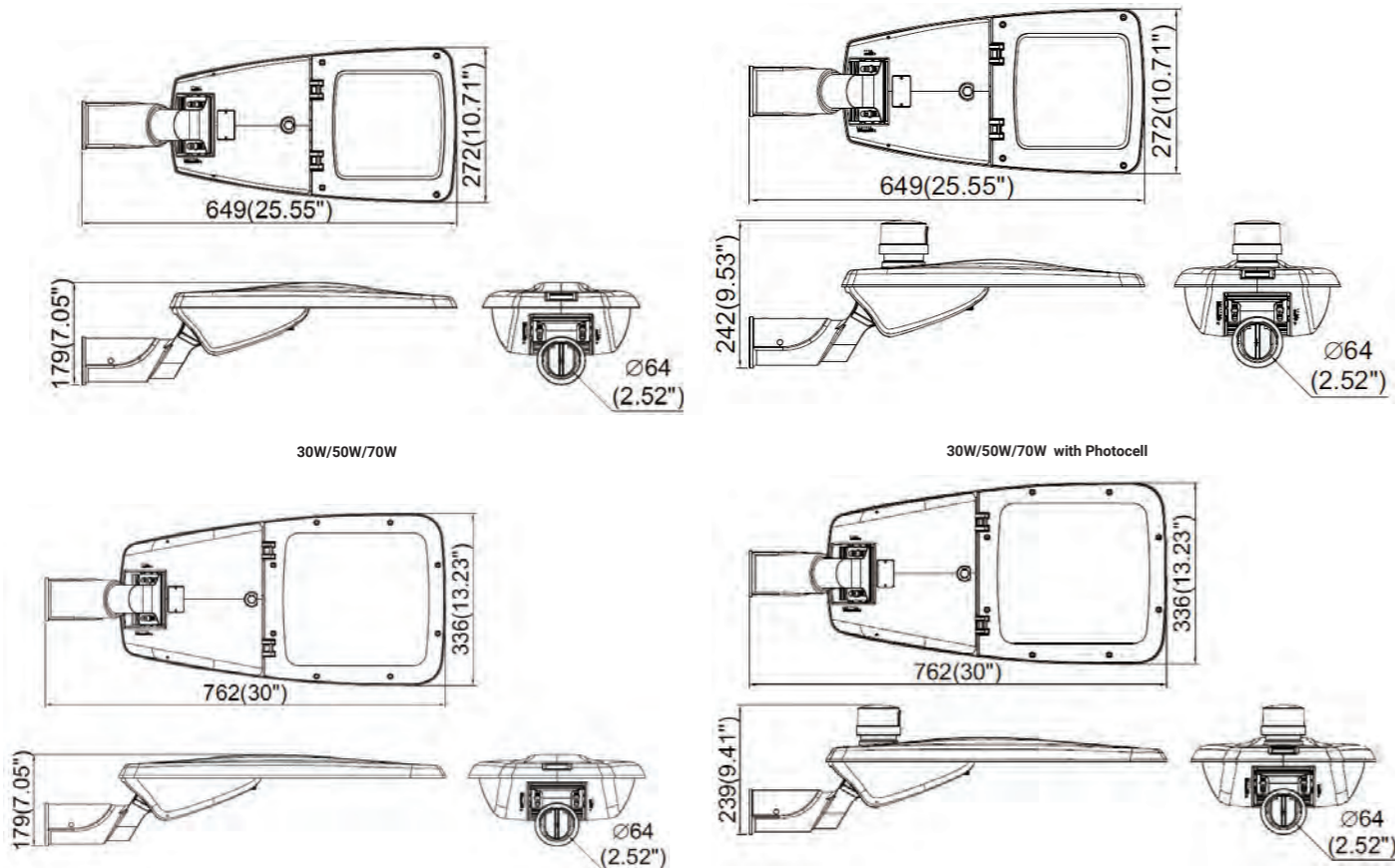


Photocell control
ON-OFF automatically according to day light.
Code: PS-A00-01



Shorting cap
Cover NEMA socket when it is not used.
Code: NS-A00-01

Dimensions



Specifications - ST10 HiSmooth X LED Street Light



Version: 3.1



Description

HiSmooth-X class II solution offer wattage from 30W to 150W with unique design for road lighting and parking lighting.

Key Features

- Smart structure, separated by two parts. Just one person can open the top cover by 45deg to detach it.
- 140lm/W, IP66, IK08, 10KV
- Various professional optics for optional.
- Smart control: timer control dimming, photocell, DALI system.
- Adaptor: 34mm, 42mm, 60mm, 76mm pole mount adaptor square, L, corner and wall amount adaptor.
- External vent, avoided internal fogging and frosting.
- Bubble level, accurate the installation in one minute.
- ENEC, Class II are available.

Applications

- Fast-speed, Medium-speed, and Low-speed roads
- Parking lot
- Outdoor sports ground
- Square centers

Electrical Information						
Model No.	ST10-030	ST10-050	ST10-070	ST10-090	ST10-120	ST10-150
Power Consumption(±5%)	30W	50W	70W	90W	120W	150W
Power Supply	PHILIPS					
Input Voltage	220-240 VAC, 50 / 60 Hz					
Power Factor	>0.90			≥0.92		
Surge Protection	6kV line-line, 10kV line-earth					
Driver Type	Constant Current (CC)					
Control	DALI Control/ Photocell					
	Timer Control					

Optic Information						
LED Type	LED 3030					
Luminous Flux (±10%)	4200lm	7000lm	9800lm	12600lm	16800lm	21000lm
Efficacy(4000K Ra70)	140lm/W					
Correlated Color Temperature	4000K (3000K, 5000K optional)					
Color Rendering Index	Ra70 (Ra80 optional)					
Beam Angle	R09601, R09602, R09603, R09604, R09605, R09606		R17601, R17602, R17603, R17604, R17605, R17611, R17612, R17613, R17614, R20001, R20002			
UGR level	N/A					

Dimensions and Mount

Product Dimension	649x272x179mm (Side Entry)	762x336x179mm (Side Entry)	
Luminaire Net Weight	5.9±0.3kg	7.9±0.3kg	8.1±0.3kg
Export Carton Size	687x312x160mm	816x376x160mm	
Gross Weight	6.9 ± 0.3kg	8.5± 0.3kg	8.7± 0.3kg
Mounting Option	Pole Mounting		
	Wall Mounting		
Material	Aluminum Alloy		
Finish	Powder Coating		
Fixture Color	Grey (RAL9006)		
EPA	1.75ft²	2.18ft²	
IK Rating	IK08		
IP Rating	IP66		

Lifespan and Warranty

Operating Temperature	-30°C to + 50°C
Life Time of LED @Ta=25°C	49000hrs-L90
	110000hrs-L80
	180000hrs-L70
Warranty	5 Years

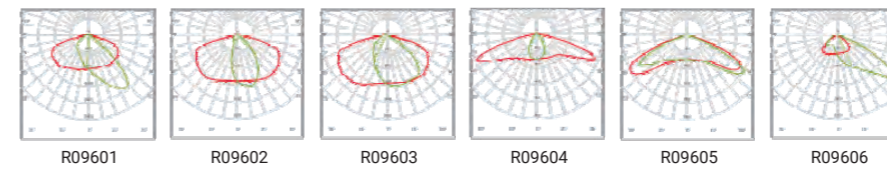
New Features

- Timer dimming is available.
- DALI Solution is available.
- Customized special adaptor is available.
- Customized visor is available.
- Customized color is available, MOQ is 500 pcs.

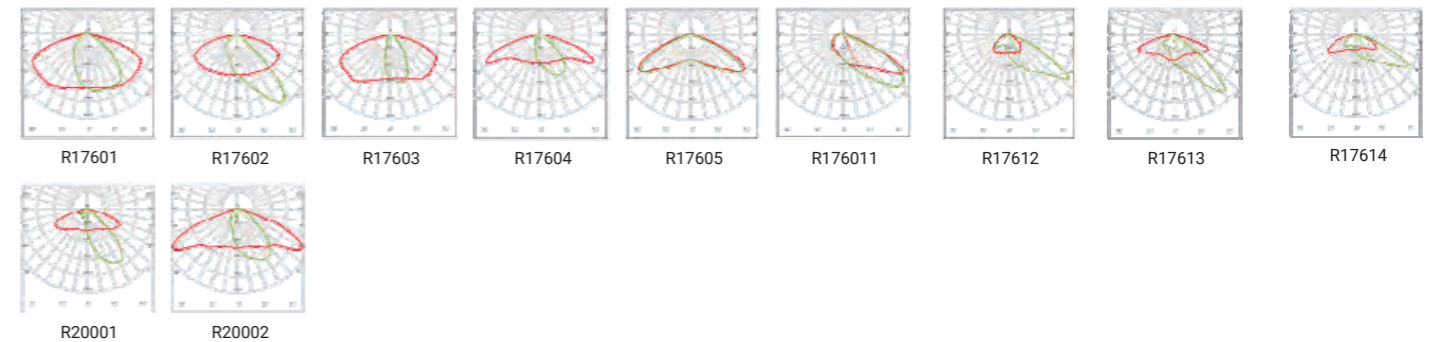
* Please consult us for details.

Photometry

30W-70W beam angle



90W-150W beam angle



Mounting Options



Side entry mounting



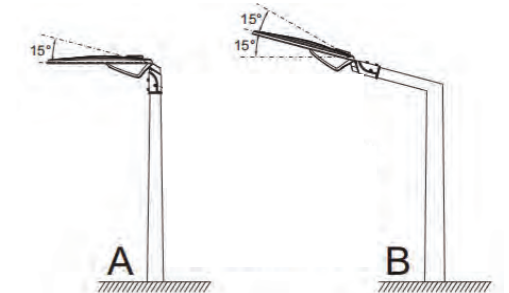
Post top mounting



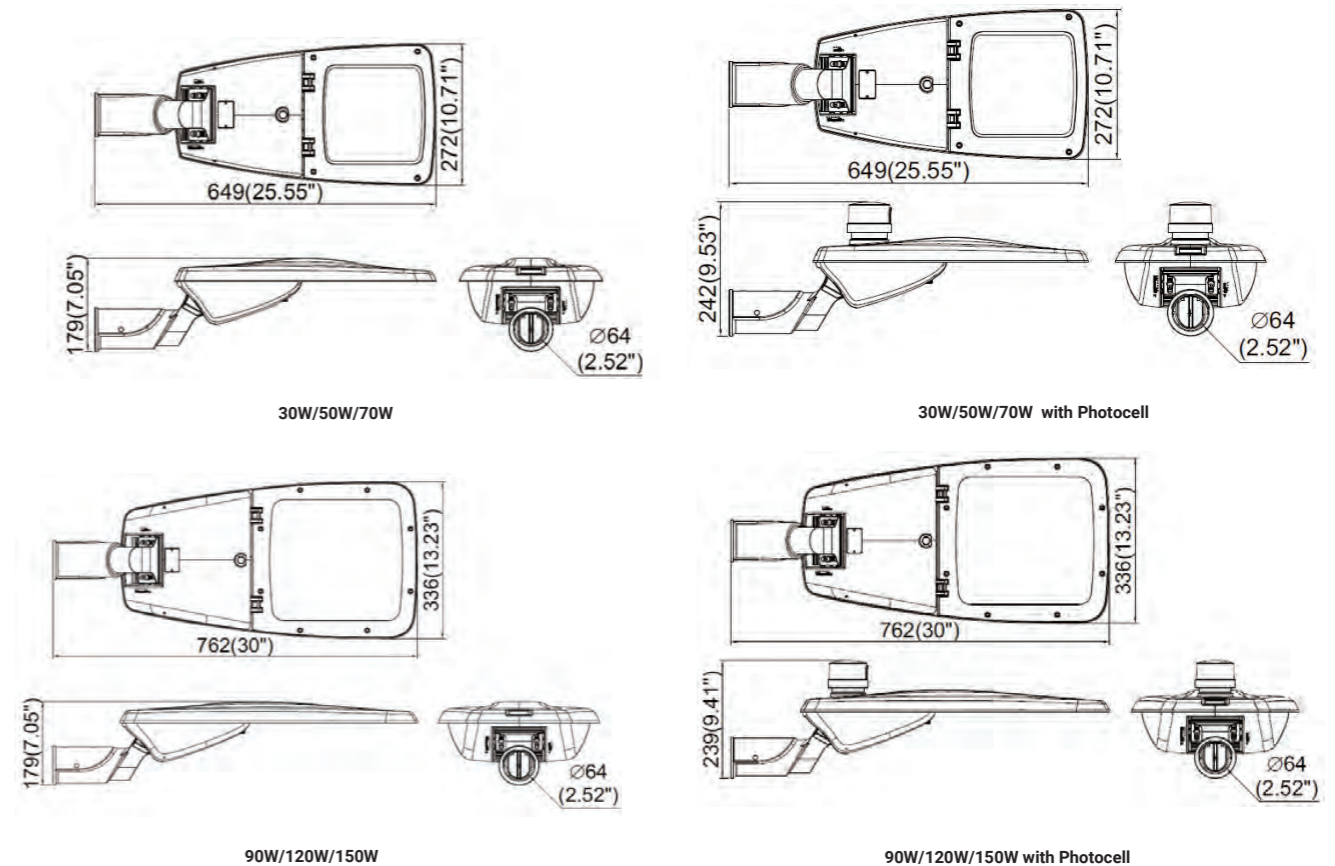
Wall mounting



Corner mounting



Dimensions





Pole mount spigot
ADC12 materials, ±15° tilt adjustable, for dia.34/ 42/ 60/ 76mm pole.
Code: SP-R03-01(for dia.34mm)
Code: SP-R03-02(for dia.42mm)
Code: SP-R03-03(for dia.60mm)
Code: SP-R03-04(for dia.76mm)



Wall mount adaptor
Q235+SPCC materials with outdoor powder coating.
Code: SP-R03-05



T shape pole mount adaptor
Q235+SPCC with Akzo Powder Coating materials, for 100x100mm square pole.
Code: SP-R03-07



T shape pole mount adaptor
Q235 materials, for dia.60/ 76mm pole
Code: SP-R03-06(for dia.60mm)
Code: SP-R03-08(for dia.76mm)
Code: SP-R03-08a(for dia.90mm)



L shape pole mount adaptor
Q235+SPCC materials, for 100x100mm square pole.
Code: SP-R03-10



L shape pole mount adaptor
Q235 materials, for dia.90mm pole
Code: SP-R03-09(for dia.90mm)
Code: SP-R03-09a(for dia.76mm)
Code: SP-R19-01(for dia.60mm)



Corner mount adaptor
SPCC materials with outdoor powder coating.
Code: SP-R19-02



Post top Mount adaptor
Q235 materials, 76mm to 60mm Adaptor
Code: SP-R03-16(for dia 76mm pole)



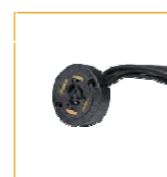
Triple adaptor
Q235 materials, with outdoor powder coating, 90° 3 ways
Code: SP-R03-14(for dia. 90mm)



Quad adaptor
Q235 materials with outdoor powder coating, 90° 4 ways
Code: SP-R03-15(for dia.90mm)



Twin adaptor
Q235 materials, 90° 2 ways
Code: SP-R03-13(for dia 90mm pole)



NEMA socket
3pin/ 5pin /7pin are optional.
Code: NS-A00-02(for 3pin)
Code: NS-A00-03(for 5pin)
Code: NS-A00-04(for 7pin)



Photocell control
ON-OFF automatically according to day light.
Code: PS-A00-01



Shorting cap
Cover NEMA socket when it is not used.
Code: NS-A00-01



CB CE SAA RoHS

Description

Slim designed HiPole X is an excellent choice for new construction or retrofit application. The High output LED and glass lens provide outstanding uniformity and efficiency. Multiple asymmetric beam angle makes it flexible for different projects' requirement. It can replace existing HID/HPS/MW fixtures up to 1000W.

Key Features

- High output lumen efficiency, up to 145lm/W.
- The housing is made of 100% aluminum alloy and utilizes external airflow fins to get better heat dissipation
- More than 6 variety of beam angles to fit different applications, including Type II, III, IV, V.
- Multiple mounting options: round or square pole mount, U bracket mount as flood light.
- Electrophoresis and powder coating with strong anti-corrosion.
- Two sizes optional for 180W-600W.
- Provided with 10KV Surge Protection Devices.

Applications

- Parking lots
- Outdoor sports
- Square
- Stadium
- For recreational sports (tennis courts, basketball courts...)
- For Billboard lighting (Tall-type billboard, wide-type billboard)
- Exhibition Center
- Soccer field
- Grain and Sugar Production

* Lumen output and light distribution are only for reference. Not all product variations listed on this page are DLC Standard/Premium qualified. Visit www.designlights.org/search to confirm qualification.

Electrical Information					
Model No.	ST11-180	ST11-240	ST11-300	ST11-450	ST11-600
Power Consumption(±5%)	180W	240W	300W	450W	600W
Power Supply	Sosen, Meanwell (Only 600W 277-480V)				
Input Voltage	100-240VAC, 50 / 60 Hz				
Power Factor	>0.93				
Surge Protection	6kV line-line, 10kV line-earth				
Driver Type	Constant Current (CC)				
Control	Non dimmable 1-10V Dimmable / Photocell				

Optic Information					
LED Type	LED 5050				
Luminous Flux (±10%)	26100lm	34800lm	43500lm	65250lm	87000lm
Efficacy(5000K Ra70)	145lm/W				
Correlated Color Temperature	5000K (3000K, 4000K optional)				
Color Rendering Index	Ra70				
Beam Angle	R10502, R10503, R105034, R10505, R10506, R10507, R10509				
UGR level	N/A				

Dimensions and Mount

Product Dimension (housing only)	571x322x94mm		621x601x104mm		
Luminaire Net Weight (housing only)	7.8±0.3 kg	8.4±0.3 kg	16.5±0.3 kg	18.0±0.3 kg	
Export Carton Size	835x327x135mm		700x676x195mm		
Gross Weight (housing only)	10.5±0.3 kg	11.1±0.3 kg	22±0.3 kg	23.5±0.3 kg	
Mounting Option	Slipfitter Mount Arm/pole Mount Wall Mount				
Material	Aluminum Alloy Polycarbonate Optical Lens				
Finish	Powder Coating				
Fixture Color	Bronze /Black				
EPA	3.47ft²				
IK Rating	IK08				
IP Rating	IP66				

Lifespan and Warranty

Operating Temperature	-30°C to + 50°C				
Life Time of LED @Ta=25°C	49000hrs-L90				
	110000hrs-L80				
	180000hrs-L70				
Warranty	5 Years				

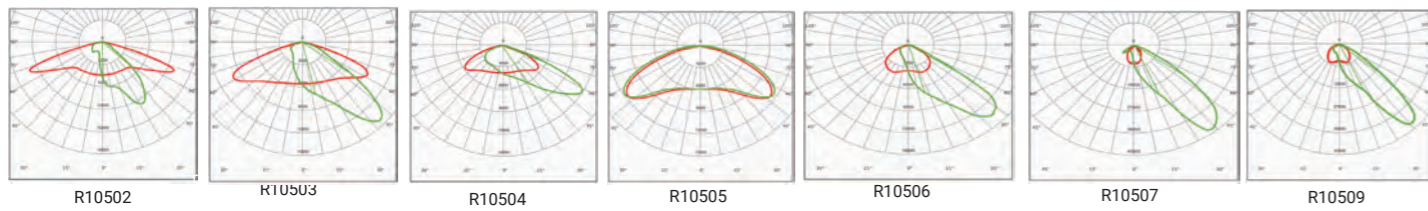
New Features

* Please consult us for details.

Specifications - ST11 HiPole X LED Area Light

Version: 3.0

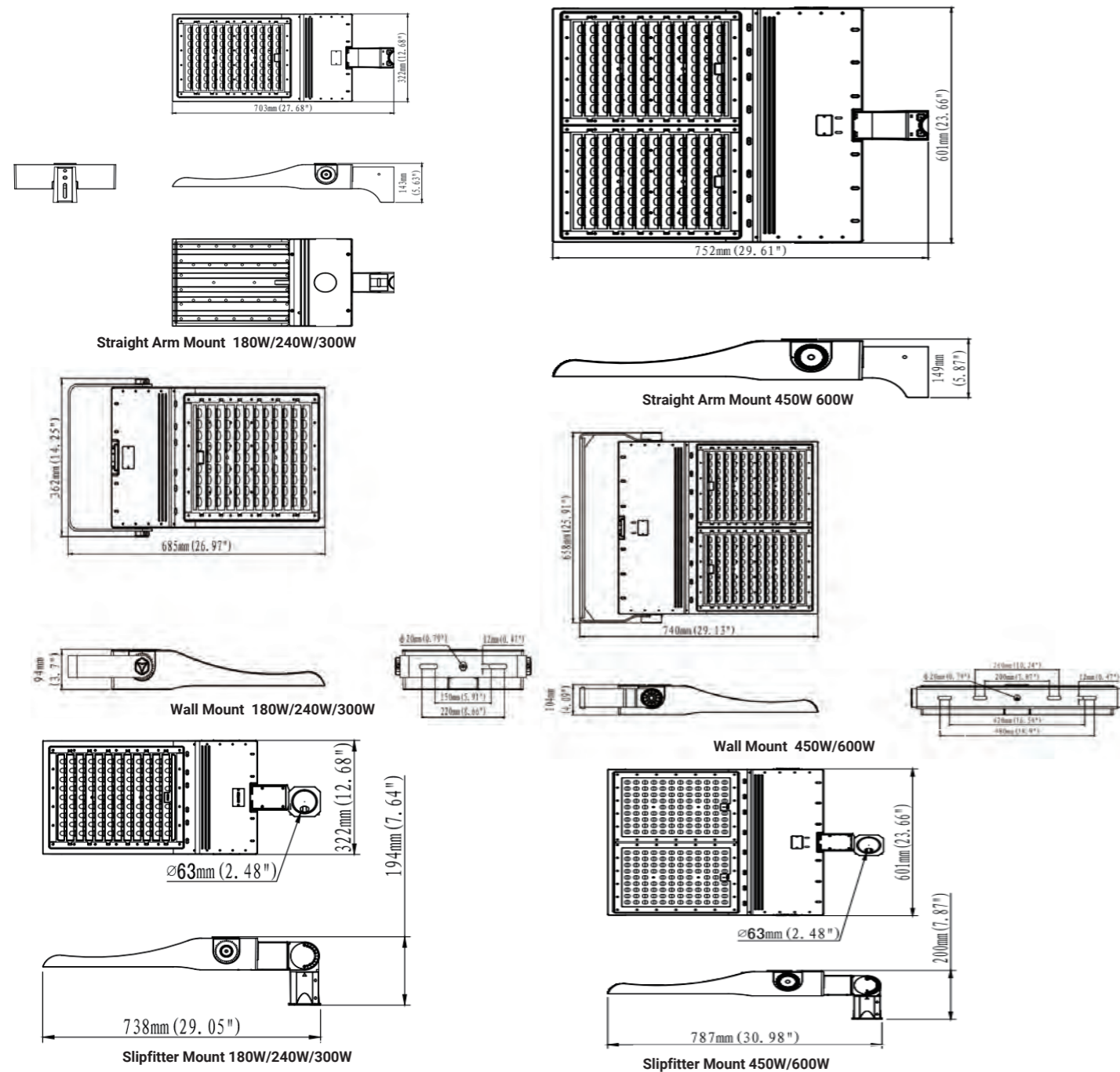
Photometry



Mounting Options



Dimensions



Specifications - ST11 HiPole X LED Area Light

Version: 3.0

Accessories

	<p>PC Optic Lens Refer to the Photometry</p>		<p>Slip Fitter mount adaptor SPCC materials, for dia.60/ 76mm pole Code: SP-R05-02</p>
	<p>Pole mount adaptor SPCC materials, for dia.60/ 76mm pole Code: SP-R11-03</p>		<p>Pole mount adaptor SPCC materials, for dia.60/ 76mm pole Code: SP-R11-04</p>
	<p>Wall mount adaptor SPCC materials with outdoor powder coating. Code: SP-R11-05a (for 180W,240W and 300W) Code: SP-R11-05b (for 450W,600W)</p>		<p>Straight Arm mount adaptor Q235 with Akzo Powder Coating materials, for 100x100mm square pole. Code: SP-R05-03</p>
	<p>NEMA socket 3pin/ 5pin /7pin are optional. Code: NS-A00-02(for 3pin) Code: NS-A00-03(for 5pin) Code: NS-A00-04(for 7pin)</p>		<p>Photocell control ON-OFF automatically according to day light. Code: PS-A00-01</p>
	<p>Shorting cap Cover NEMA socket when it is not used. Code: NS-A00-01</p>		<p>House-side Shield PC Material for back light control . Code: SPR11-06</p>

Specifications - ST23 LED Street Light

Version: 3.1



Electrical Information				
Model No.	ST23-060	ST23-090	ST23-120	ST23-150
Power Consumption(±5%)	60W	90W	120W	150W
Power Supply	SOSEN			
Input Voltage	220-240 VAC, 50 / 60 Hz			
Power Factor	>0.90			
Surge Protection	6kV line-line, 10kV line-earth			
Driver Type	Constant Current (CC)			
Control	1-10V Dimmable / Photocell Timer Control			

Optic Information				
LED Type	LED 3030			
Luminous Flux (±10%)	8100lm	12600lm	16800lm	21000lm
Efficacy(4000K Ra70)	135lm/W			
Correlated Color Temperature	4000K (3000K, 5000K optional)			
Color Rendering Index	Ra70 (Ra80 optional)			
Beam Angle	R01201, R01203, R01204, R01205, R01207, R01208			
UGR level	N/A			

Description

Slim designed is an excellent choice for new construction or retrofit application. The High output LED and PC lens provide outstanding uniformity and efficiency, 60W-150W makes the power as a whole series.

Key Features

- Super smooth design, one size for 60w, 90w, 120w, 150w.
- High output lumen efficiency, up to 140lm/W.
- Strong anti-corrosion performance, E- painting + Powder coating process.
- Built in Motion Sensor is optional
- High quality ensured by various kinds of reliability tests
- kinds of asymmetrical optical controls provide professional light distribution.
- IP66, 10KV SPD. Class I, Class II optional.
- Multiple installation way: Side entry, post top and Suspension.
- φ60mm & φ76mm spigot are available.

Applications

- walkway and narrow road
- urban roadway lighting
- Park lighting
- Outdoor area lighting

Dimensions and Mount

Product Dimension	Reference figure
Luminaire Net Weight	7.8±0.3kg (Post top)
Export Carton Size	585*530*175mm
Gross Weight	9.6±0.3kg (Post top) 9.1±0.3kg (Suspension)
Mounting Option	Post top / Side Entry Suspension
Material	Aluminum Alloy
Finish	Powder Coating
Fixture Color	Silver Black
EPA	1.52ft²
IK Rating	IK08
IP Rating	IP66

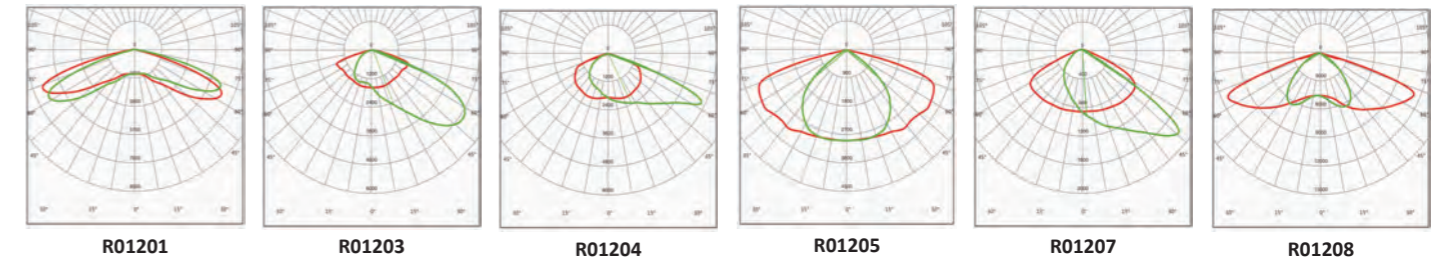
Lifespan and Warranty

Operating Temperature	-30°C to +40°C
Life Time of LED @Ta=25°C	46000hrs-L90 96400hrs-L80 153500hrs-L70
Warranty	5 Years

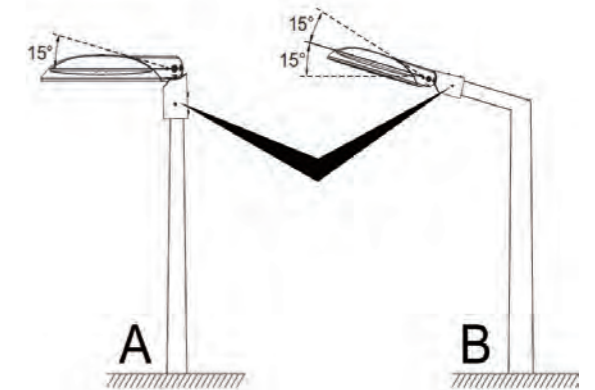
New Features

* Please consult us for details.

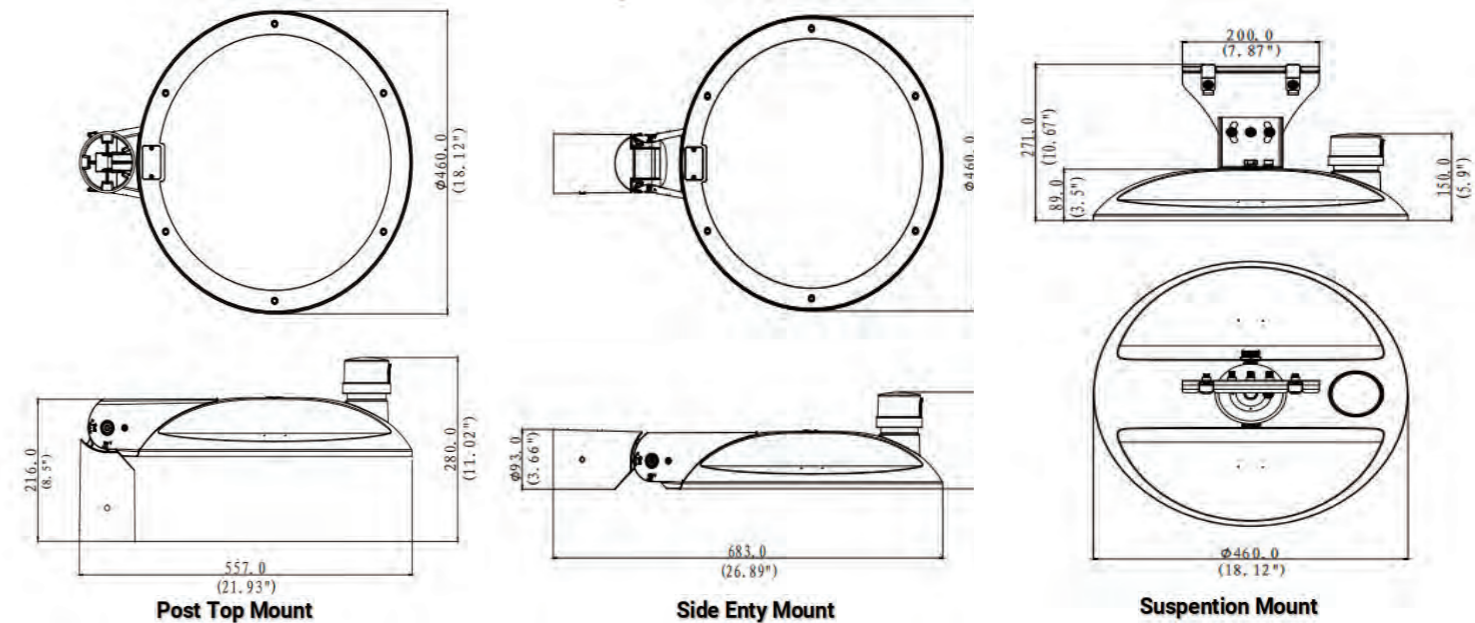
Photometry



Mounting Options



Dimensions





Pole mount spigot
ADC12 materials, ±15° tilt adjustable, for dia.60 and 76mm pole.
Code: SP-R23-01(for dia.60mm)
Code: SP-R23-02(for dia.76mm)



Suspension Bracket
SPCC materials with outdoor powder coating.
Code: BC-R23-01



T shape pole mount adaptor
Q235 with Akzo Powder Coating materials, for 100x100mm square pole.
Code: SP-R03-07



T shape pole mount adaptor
SPCC materials, for dia.60/ 76mm pole
Code: SP-R03-06(for dia.60mm)
Code: SP-R03-08(for dia.76mm)



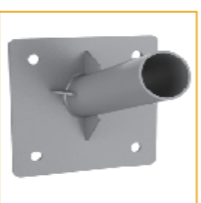
L shape pole mount adaptor
Q235 materials, for 100x100mm square pole.
Code: SP-R03-10



L shape pole mount adaptor
Q235 materials, for dia.90mm pole
Code: SP-R03-09(for dia.90mm)
Code: SP-R03-09a(for dia.76mm)
Code: SP-R19-01(for dia.60mm)



Corner mount adaptor
SPCC materials with outdoor powder coating.
Code: SP-R19-02



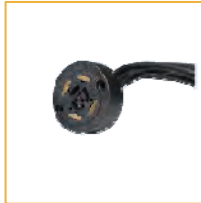
Wall mount adaptor
SPCC materials with outdoor powder coating.
Code: SP-R03-05



Quad adaptor
Q235 materials with outdoor powder coating, 90° 4 ways
Code: SP-R03-15(for dia.90mm)



Photocell control
ON-OFF automatically according to day light.
Code: PS-A00-01



NEMA socket
3pin/ 5pin /7pin are optional.
Code: NS-A00-02(for 3pin)
Code: NS-A00-03(for 5pin)
Code: NS-A00-04(for 7pin)



Shorting cap
Cover NEMA socket when it is not used.
Code: NS-A00-01



Triple adaptor
Q235 materials, with outdoor powder coating, 90° 3 ways
Code: SP-R03-14(for dia. 90mm)



Twin adaptor
Q235 materials , 90° 2 ways
Code: SP-R03-13(for dia 90mm pole)



CE CB RoHS SAA

Description

Slim designed is an excellent choice for new construction or retrofit application. The High output LED and 30W-200W makes the power as a whole series.

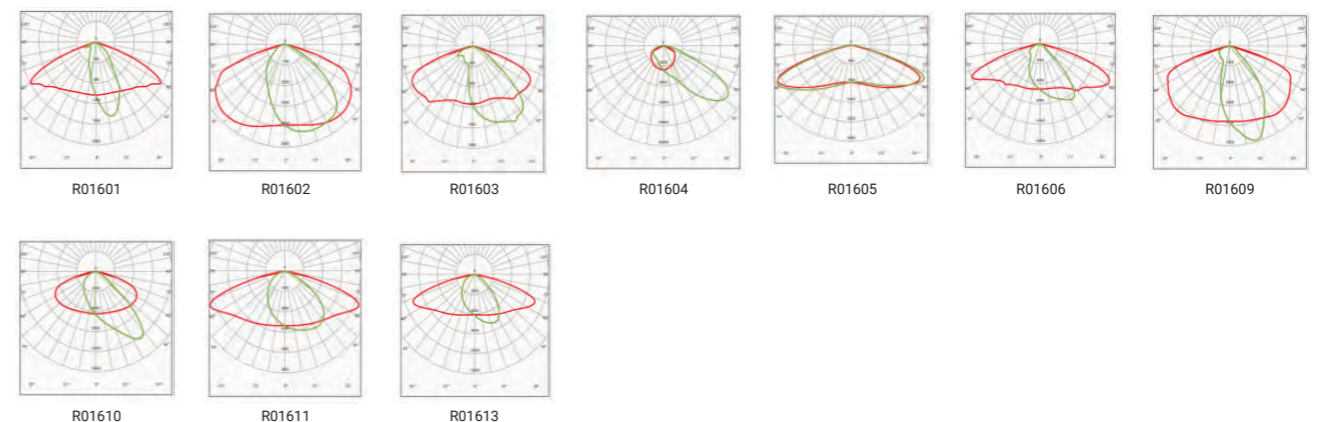
Key Features

- Easier Installation
- ±20 title angle
- Faster maintenance
- Moduler Optic Lens, Compatible with SMD3030 /SMD3535 /SMD5050
- System Efficiency 140lm/w and 160lm/W.
- Insulation type class I or class II optional.

Applications

- Parking lots
- Traffic routes
- Residential areas
- Plazas, parking lot areas

Photometry



Electrical Information

Model No.	Pls refer to Product Code List for details
Power Consumption	
Input Voltage	AC 220-240V, AC100-240 VAC, 50 / 60 Hz
Power Factor	>0.90
Insulation Type	Class I or Class II
Driver Type	Constant Current (CC)
Control	Dimmable / Photocell/ DALI Dimmable/ZHAGA

Optic Information

LED Type	LED 3030
Efficacy (4000K RA70)	140lm/W, 160lm/W
Correlated Color Temperature	4000K (3000K, 5000K optional)
Color Rendering Index	Ra70 (Ra80 optional)
Beam Angle	R01601, R01602, R01603, R01604, R01605, R01606, R01609, R01610, R01611, R01613
UGR level	N/A

Dimentions and Mount

Product Dimension	Pls refer to Product Code List for details		
Luminaire Net Weight	5.9±0.3kg	7.1±0.3kg	8.5±0.3kg
Export Carton Size	615*350*225mm	680*350*225mm	770*390*240mm
Gross Weight	7.0±0.3kg	8.4±0.3kg	10.1±0.3kg
Mounting Option	Post top Mounting Side entry Mounting		
Material	Aluminum Alloy Tempered Glass+Polycarbonate Optical Lens		
Finish	Akzo Powder Coating		
Fixture Color	Silvery black RAL9005		
EPA	1.6ft²	2.0ft²	2.6ft²
IK Rating	IK09		
IP Rating	IP66		

Lifespan and Warranty

Operating Temperature	-30°C to + 50°C
Life Time of LED @Ta=25°C	40000hrs-L90 82000hrs-L80 131000hrs-L70
Warranty	5 Years

New Features

* Please consult us for details.

Product Code List										
Product code	Min.Power	Typ.Power	Max.Power	Size	Input voltage	Isulation Type	Control Mode	Driver	Surge protection	Efficacy (4000K Ra70±10%)
ST33-035	15W	30W	35W	Small size	AC100-240V, 50-60HZ	class I	Nodim and 1-10V dim	MOSO	4kV L-L, 6kV L-G	140lm/W
ST33-060	40W	50W	60W							
ST33-080	65W	70W	80W							
ST33-095	85W	90W	95W	Medium size						
ST33-120	100W	120W	120W							
ST33-160	125W	150W	160W	Large size						
ST33-195	165W	180W	195W							
ST33-210	200W	200W	210W							

ST33-060	50W	50W	60W	Small size	AC220-240V, 50-60HZ	class I	Nodim	PHILIPS	6kV L-L, 10kV L-G	140lm/W
ST33-080	65W	70W	80W							
ST33-095	85W	90W	95W							
ST33-120	100W	120W	120W	Medium size						
ST33-160	125W	150W	160W							
ST33-195	165W	180W	195W	Large size						
ST33-210	200W	200W	210W							

ST33-035/D	15W	30W	35W	Small size	AC220-240V, 50-60HZ	class I	DALI DIM	PHILIPS	6kV L-L, 10kV L-G	140lm/W
ST33-060/D	40W	50W	60W							
ST33-080/D	65W	70W	80W							
ST33-095/D	85W	90W	95W	Medium size						
ST33-120/D	100W	120W	120W							
ST33-160/D	125W	150W	160W	Large size						
ST33-195/D	165W	180W	195W							
ST33-210/D	200W	200W	210W							

ST33-035/IIID	15W	30W	35W	Small size	AC220-240V, 50-60HZ	class II	DALI DIM	PHILIPS	6kV L-L, 10kV L-G	140lm/W
ST33-060/IIID	40W	50W	60W							
ST33-080/IIID	65W	70W	80W							
ST33-095/IIID	85W	90W	95W	Medium size						
ST33-120/IIID	100W	120W	120W							
ST33-160/IIID	125W	150W	160W	Large size						
ST33-195/IIID	165W	180W	195W							
ST33-210/IIID	200W	200W	210W							

ST33-035/H	15W	30W	35W	Small size	AC100-240V, 50-60HZ	class I	Nodim and 1-10V dim	MOSO	4kV L-L, 6kV L-G	160lm/W
ST33-060/H	40W	50W	60W							
ST33-080/H	65W	70W	80W							
ST33-095/H	85W	90W	95W	Medium size						
ST33-120/H	100W	120W	120W							
ST33-160/H	125W	150W	160W	Large size						
ST33-195/H	165W	180W	195W							
ST33-210/H	200W	200W	210W							

ST33-060/H	40W	50W	60W	Small size	AC220-240V, 50-60HZ	class I	Nodim	PHILIPS	6kV L-L, 10kV L-G	160lm/W
ST33-080/H	65W	70W	80W							
ST33-095/H	85W	90W	95W							
ST33-120/H	100W	120W	120W	Medium size						
ST33-160/H	125W	150W	160W							
ST33-195/H	165W	180W	195W	Large size						
ST33-210/H	200W	200W	210W							

ST33-035/DH	15W	30W	35W	Small size	AC220-240V, 50-60HZ	class I	DALI DIM	PHILIPS	6kV L-L, 10kV L-G	160lm/W
ST33-060/DH	40W	50W	60W							
ST33-080/DH	65W	70W	80W							
ST33-095/DH	85W	90W	95W	Medium size						
ST33-120/DH	100W	120W	120W							
ST33-160/DH	125W	150W	160W	Large size						
ST33-195/DH	165W	180W	195W							
ST33-210/DH	200W	200W	210W							

ST33-035/IIIDH	15W	30W	35W	Small size	AC220-240V, 50-60HZ	class II	DALI DIM	PHILIPS	6kV L-L, 10kV L-G	160lm/W
ST33-060/IIIDH	40W	50W	60W							
ST33-080/IIIDH	65W	70W	80W							
ST33-095/IIIDH	85W	90W	95W	Medium size						
ST33-120/IIIDH	100W	120W	120W							
ST33-160/IIIDH	125W	150W	160W	Large size						
ST33-195/IIIDH	165W	180W	195W							
ST33-210/IIIDH	200W	200W	210W							

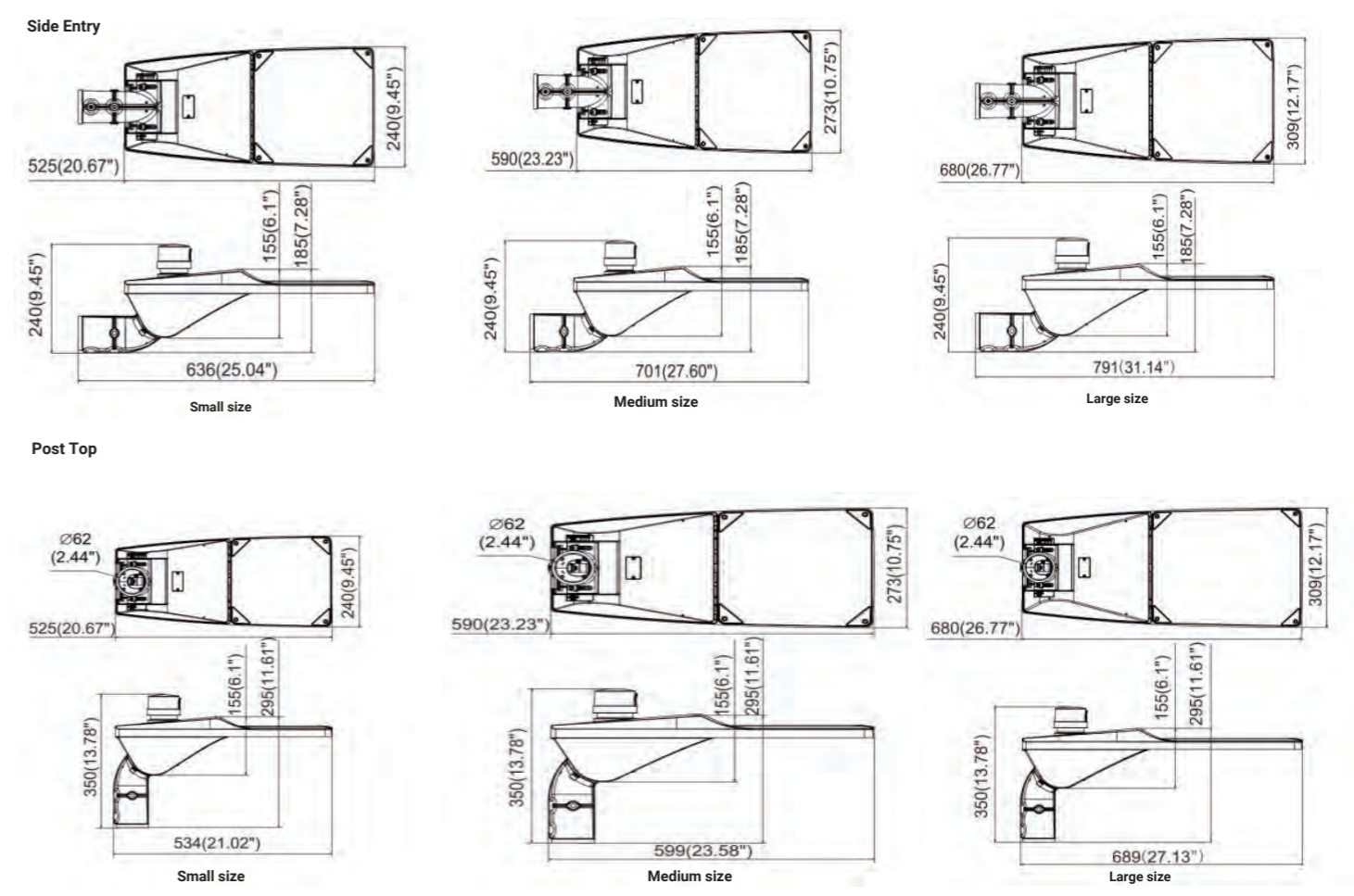
* Product code reference: /H means high efficiency, /II means class II insulation, /D means DALI dim.
 * Photocell and ZHAGA control optional.
 * Product size could be referred to size drawing.

Mounting Options




±20° tilt adjustable

Dimensions






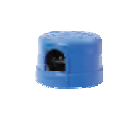
Pole mount spigot
ADC12 materials, ±20° tilt adjustable, for dia. 60/ 76mm pole.
Code: SP-R33-01(for dia.60mm)
Code: SP-R33-02 (for dia 76mm)



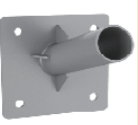
T shape pole mount adaptor
Q235 with Akzo Powder Coating materials, for 100x100mm square pole.
Code: SP-R03-07




L shape pole mount adaptor
Q235 materials, for 100x100mm square pole.
Code: SP-R03-10



Photocell control
ANSI C136.10-1996 Twist Lock for On-Off function only
Code: PS-A00-01




Wall mount adaptor
SPCC materials with outdoor powder coating.
Code: SP-R03-05




T shape pole mount adaptor
SPCC materials, for dia. 60/ 76mm pole
Code: SP-R03-06(for dia.60mm)
Code: SP-R03-08(for dia.76mm)




L shape pole mount adaptor
SPCC materials, for dia.90mm pole
Code: SP-R03-09(for dia.90mm)



Shorting cap
Cover NEMA socket when it is not used.
Code: NS-A00-01



Corner mount adaptor
SPCC materials with outdoor powder coating.
Code: SP-R19-02



L shape pole mount adaptor
SPCC materials, for dia.60mm pole
Code: SP-R19-01(for dia.60mm)



NEMA socket
ANSI C136.41-2013 Dimming Receptacles, 3pin/ 5pin /7pin are optional.
Code: NS-A00-02(for 3pin)
Code: NS-A00-03(for 5pin)
Code: NS-A00-04(for 7pin)



Electrical Information	
Model No.	Pls refer to Product Code List for details
Power Consumption	
Input Voltage	AC 220-240V, AC100-240 VAC, 50 / 60 Hz
Power Factor	>0.94
Insulation Type	Class I or Class II
Driver Type	Constant Current (CC)
Control	Dimmable / Photocell/ DALI Dimmable/ZHAGA/ Microwave Sensor/ PIR Sensor

Optic Information	
LED Type	LED 3030
Efficacy (4000K RA70)	160lm/W
Correlated Color Temperature	4000K (3000K, 5000K optional)
Color Rendering Index	Ra70 (Ra80 optional)
Beam Angle	R01601,R01602,R01603,R01604,R01605,R01606,R01607,R01609,R01610,R01611,R01613
UGR level	N/A

Description

Slim designed is an excellent choice for new construction or retrofit application. The High output LED and 30W-200W makes the power as a whole series.

Key Features

- simple installation.
- High output lumen efficiency, up to 160lm/W
- The housing is made of 100% aluminum alloy (ADC12)
- Powder coating with strong anti-corrosion.
- Easy to maintain.
- Adjustable elevation.

Dimensions and Mount

Product Dimension	Mini Size	Small Size	Medium size	Large size
Luminaire Net Weight	3.05±0.3kg	4.15±0.3kg	5.2±0.3kg	6.4±0.3kg
Export Carton Size	605*270*165mm	710*270*165mm	770*320*165mm	840*335*165mm
Gross Weight	4.7±0.3kg	5.9±0.3kg	7.2±0.3kg	8.5±0.3kg
Mounting Option	Post top Mounting			
	Side entry Mounting			
Material	Aluminum Alloy			
Finish	Akzo Powder Coating			
Fixture Color	Silvery Grey			
EPA	1.2ft²	1.48ft²	2.01ft²	2.38ft²
IK Rating	IK09			
IP Rating	IP66			

Lifespan and Warranty

Operating Temperature	Class I : -30°C to + 50°C
	Class II : -30°C to + 40°C
Life Time of LED @Ta=25°C	40000hrs-L90
	82000hrs-L80
	131000hrs-L70
Warranty	5 Years

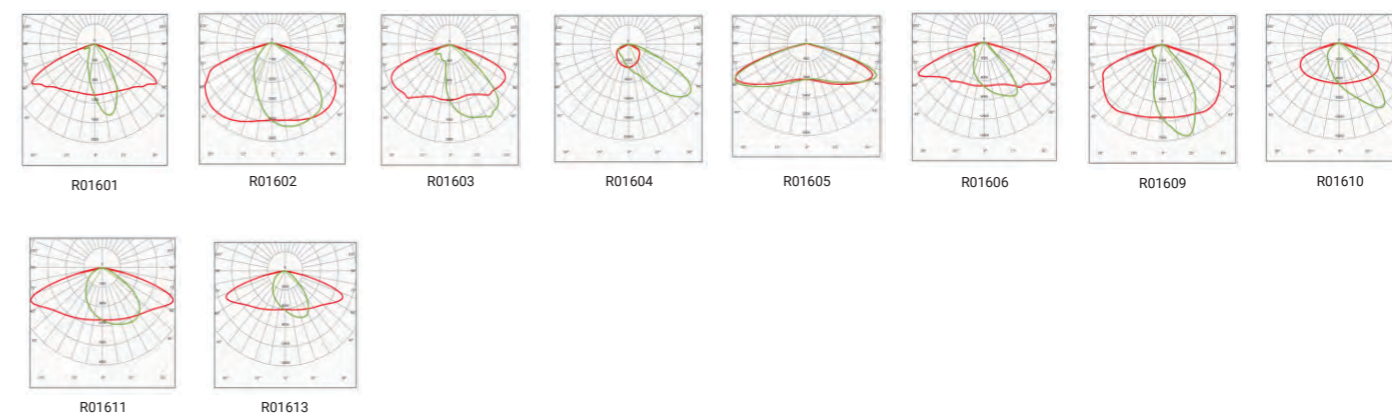
Applications

- Parking lots
- Traffic routes
- Residential areas
- Plazas, parking lot areas

New Features

* Please consult us for details.

Photometry



Product Code List										
Product code	Min.Power	Typ.Power	Max.Power	Size	Input voltage	Isulation Type	Control Mode	Driver	Surge protection	Efficacy (4000K Ra70±10%)
ST36-020/H	15W	20W	20W	Mini Size	AC100-240V, 50-60HZ	class I	Nodim and 1-10V dim	MOSO	4kV L-L, 6kV L-G	160lm/W
ST36-030/H	25W	30W	30W							
ST36-040/H	35W	40W	40W							
ST36-060/H	45W	60W	60W	Small size						
ST36-075/H	65W	75W	75W							
ST36-100/H	80W	100W	100W	Medium size						
ST36-120/H	105W	120W	120W							
ST36-150/H	125W	150W	155W	Large Size						
ST36-180/H	160W	180W	185W							
ST36-200/H	190W	200W	210W							
ST36-230/H	215W	230W	230W							

ST36-020/IIH	15W	20W	20W	Mini Size	AC220-240V, 50-60HZ	class II	Nodim and 1-10V dim	PHILIPS	6kV L-L,10kV L-G	160lm/W
ST36-030/IIH	25W	30W	30W							
ST36-040/IIH	35W	40W	40W							
ST36-060/IIH	45W	60W	60W	Small size						
ST36-075/IIH	65W	75W	75W							
ST36-100/IIH	80W	100W	100W	Medium size						
ST36-120/IIH	105W	120W	120W							
ST36-150/IIH	125W	150W	155W	Large Size						
ST36-180/IIH	160W	180W	185W							
ST36-200/IIH	190W	200W	210W							

ST36-020/IIHZA	15W	20W	20W	Mini Size	AC220-240V, 50-60HZ	class II	ZHAGA	TRIDONICS	6kV L-L,10kV L-G	160lm/W
ST36-030/IIHZA	25W	30W	30W							
ST36-040/IIHZA	35W	40W	40W							
ST36-060/IIHZA	45W	60W	60W	Small size						
ST36-075/IIHZA	65W	75W	75W							
ST36-100/IIHZA	80W	100W	100W	Medium size						
ST36-120/IIHZA	105W	120W	120W							
ST36-150/IIHZA	125W	150W	155W	Large Size						
ST36-180/IIHZA	160W	180W	185W							
ST36-200/IIHZA	190W	200W	210W							

ST36-020/HM	15W	20W	20W	Mini Size	AC100-240V, 50-60HZ	class I	Motion Sensor	SOSEN	6kV L-L,10kV L-G	160lm/W
ST36-030/HM	25W	30W	30W							
ST36-040/HM	35W	40W	40W							
ST36-060/HM	45W	60W	60W	Small size						
ST36-075/HM	65W	75W	75W							
ST36-100/HM	80W	100W	100W	Medium size						
ST36-120/HM	105W	120W	120W							
ST36-150/HM	125W	150W	155W	Large Size						
ST36-180/HM	160W	180W	185W							
ST36-200/HM	190W	200W	210W							

ST36-020/HP	15W	20W	20W	Mini Size	AC100-240V, 50-60HZ	class I	PIR Sensor	SOSEN	6kV L-L,10kV L-G	160lm/W
ST36-030/HP	25W	30W	30W							
ST36-040/HP	35W	40W	40W							
ST36-060/HP	45W	60W	60W	Small size						
ST36-075/HP	65W	75W	75W							
ST36-100/HP	80W	100W	100W	Medium size						
ST36-120/HP	105W	120W	120W							
ST36-150/HP	125W	150W	155W	Large Size						
ST36-180/HP	160W	180W	185W							
ST36-200/HP	190W	200W	210W							

* Product code reference: /H means high efficiency, /II means class II isolation, /D means DALI dim, /ZA means ZHAGA, /M means Motion Sensor /P means PIR Sensor.
* Photocell and ZHAGA control optional.

Mounting Options

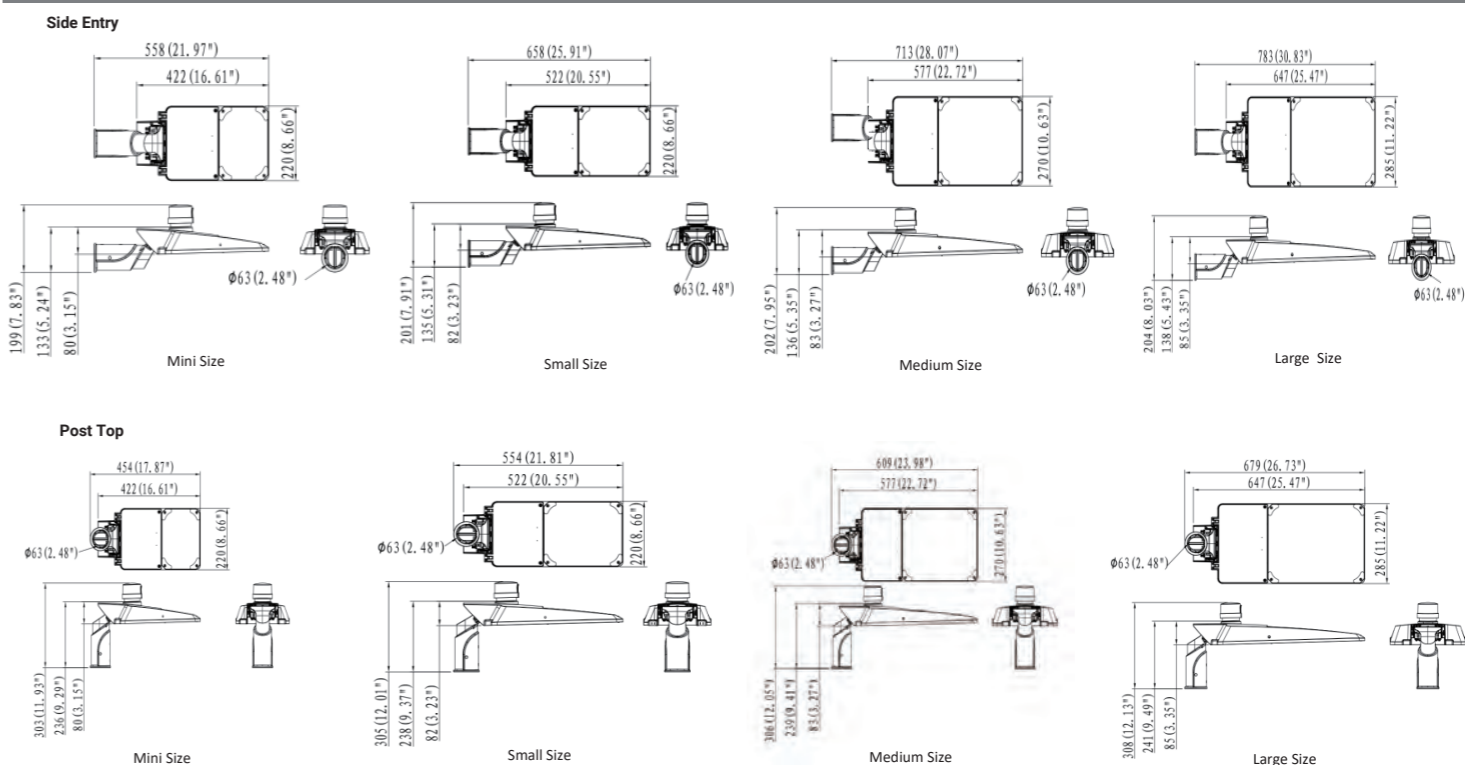


Side Entry



Post Top

Dimensions



NEMA socket
ANSI C136.41-2013 Dimming Receptacles, 3pin/ 5pin /7pin are optional.
Code: NS-A00-02(for 3pin)
Code: NS-A00-03(for 5pin)
Code: NS-A00-04(for 7pin)

Photocell control
ANSI C136.10-1996 Twist Lock for On-Off function only
Code: PS-A00-01

Shorting cap
Cover NEMA socket when it is not used.
Code: NS-A00-01

Plug and Play Motion Sensor
SPCC materials with outdoor powder coating.
Code: ANT-5-4T(Microwave Sensor)
Code: ANT-6-4T(PIR Sensor)

ZHAGA Receptacles
Compliant with Zhaga Book 18.
Code: ZG-A00-01

Pole mount spigot
ADC12 materials, ± 15° tilt adjustable, for dia.34/ 42/ 60/ 76mm pole.
Code: SP-R03-01(for dia.34mm)
Code: SP-R03-02(for dia.42mm)
Code: SP-R03-03(for dia.60mm)
Code: SP-R03-04(for dia.76mm)

Wall mount adaptor
Q235+SPCC materials with outdoor powder coating.
Code: SP-R03-05

T shape pole mount adaptor
Q235+SPCC with Akzo Powder Coating materials, for 100x100mm square pole.
Code: SP-R03-07

T shape pole mount adaptor
Q235 materials, for dia.60/ 76mm pole
Code: SP-R03-06(for dia.60mm)
Code: SP-R03-08(for dia.76mm)
Code: SP-R03-08a(for dia.90mm)

L shape pole mount adaptor
Q235+SPCC materials, for 100x100mm square pole.
Code: SP-R03-10

L shape pole mount adaptor
Q235 materials, for dia.90mm pole
Code: SP-R03-09(for dia.90mm)
Code: SP-R03-09a(for dia.76mm)
Code: SP-R19-01(for dia.60mm)

Corner mount adaptor
SPCC materials with outdoor powder coating.
Code: SP-R19-02

Quad adaptor
Q235 materials with outdoor powder coating, 90° 4 ways
Code: SP-R03-15(for dia.90mm)

Triple adaptor
Q235 materials, with outdoor powder coating, 90° 3 ways
Code: SP-R03-14(for dia. 90mm)

Twin adaptor
Q235 materials, 90° 2 ways
Code: SP-R03-13(for dia 90mm pole)

Post top Mount adaptor
Q235 materials, 76mm to 60mm Adaptor
Code: SP-R03-16(for dia 76mm pole)



Description

ST43 is a new private design solar LED Street light, with Slim design and higher conversation efficiency Mono-crystalline photovoltaic Solar panel, 200lm/w efficiency to makes the products with better advantages to meet different requirements from customers.

Key Features

- Nice design with lighter weight,easier installation
- System efficiency upto 200lm/w with competitive price
- The Controller has built in Motion Sensor and timer dimming function
- LiFePO4 Battry is with longer lifetime,charge for 8 hours which can continuous working for 3 days
- IP65 & IK08 double protection
- Mono-crystalline photovoltaic with a higher conversation efficiency
- Adjustable angle
- Different Mounting Options

Applications

- Village streets
- Urban road
- Courtyard
- Parking Lot

Specifications - ST43 LED Street Light

Version: 2.0

Electrical Information			
Model No.	ST43-10	ST43-20	ST43-30
Power Consumption(±5%)	10W	20W	30W
Battery	LiFePO4 Battery		
Battery Capacity	76Wh	156Wh	230Wh
Solar Panels	Mono-Crystalline Solar Panel		
Solar Panel Wattage	30W		
Charging Time	>3Hrs	>6Hrs	>9Hrs
Operating time	Full power>8 hours,Intelligent mode 3-4 days		
Working mode	Refer Intelligent control MODE		
Control	Timmer dimming/PIR sensor		

Optic Information			
LED Type	LED 2835		
Luminous Flux (±10%)	2000lm	4000lm	6000lm
Efficacy(4000K Ra70)	200lm/W		
Correlated Color Temperature	4000K (3000K, 5000K optional)		
Color Rendering Index	Ra70 (Ra80 optional)		
Beam Angle	R10801		
UGR level	NA		

Dimintions and Mount

Product Dimension (Side Entry)	807X301X148mm		
Luminaire Net Weight	5.0±0.3kg	5.7±0.3kg	6.3±0.3kg
Export Carton Size	750X370X195mm		
Gross Weight	7.2±0.3kg	7.9±0.3kg	8.5±0.3kg
Mounting Option	Post top/ Side Entry Pole clamp bracket /Wall Mount		
Material	Aluminum Alloy Polycarbonate Optical Lens LiFePO4 Battery Mono-Crystalline Solar Panel		
Finish	Powder Coating		
Fixture Color	Silver		
EPA	2.56ft²		
IP Rating	IP65		

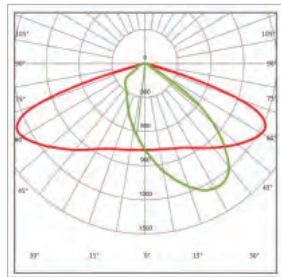
Lifespan and Warranty

Operating Temperature	0°C to + 50°C		
Life Time of LED @Ta=25°C	31000hrs-L90		
	64000hrs-L80		
	101000hrs-L70		
Warranty	3 Years		

New Features

* Please consult us for details.

Photometry



R10801

Mounting Options



Side Entry



Post top



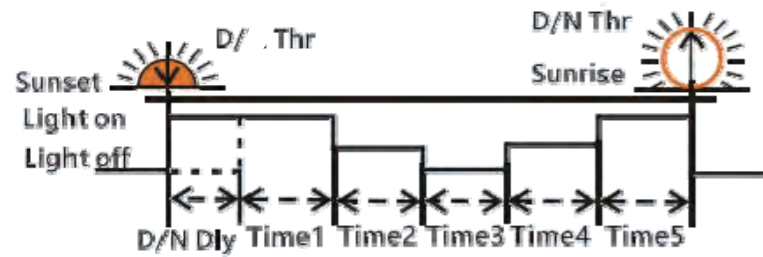
pole clamp bracket



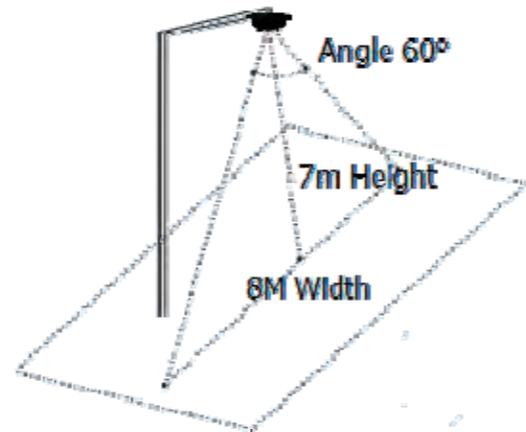
Wall Mount

Intelligent Control Mode

5 Stage Night Mode



* Please note the Sensor function is only available at Time 3 and Time 4
 *You can set the fixtures with 5 stages timer dimming yourself by the remote Controller.



PIR Sensor Detect Areas

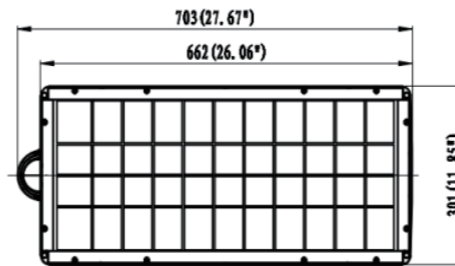
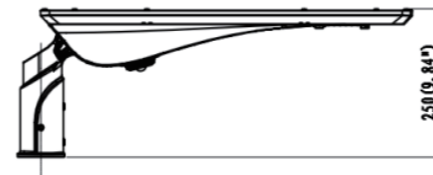
Factory Default setting:



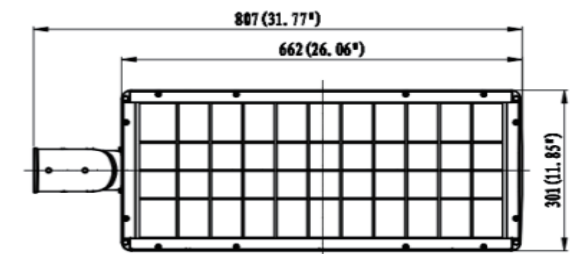
With Sufficient natural light, the light keeps charging
 1st 4hours from light switches on, the light keeps 100% brightness when presence is detected
 The light keeps 30% when there is no presence is detected after 30S hold time in the 1st 4 Hours
 The light keeps 60% brightness when there is presence is detected from 5th to 8th Hours after light switches on
 After 30S hold time within 5th to 8hours , the light dim to 20% brightness when there is no presence is detected
 The light keeps 10% brightness for 3Hours until the Sunrise.

The Controller recognizes day and night based on the Solar Array Open Circuit Voltage, this day/night threshold can be modified according to local light conditions and the Solar Array Used, setting range 3.0 ~8.0V

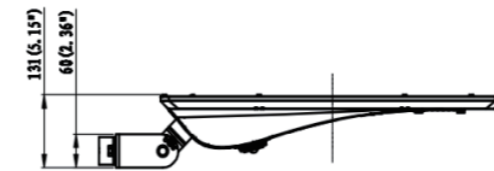
Dimensions



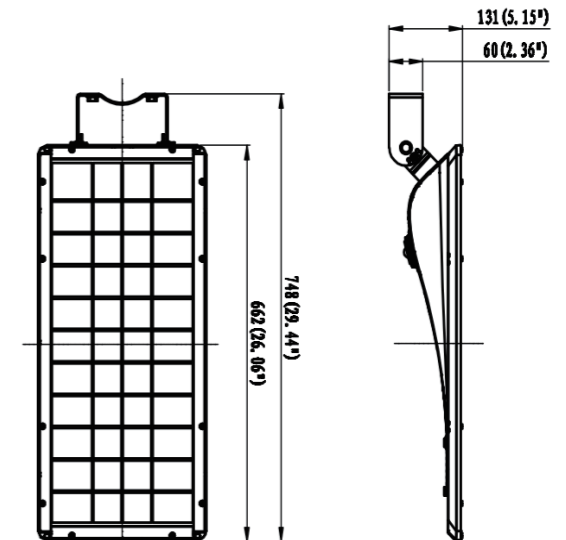
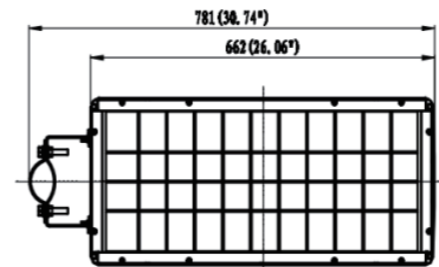
Post Top Mount



Side Entry Mount



Pole Clamp Bracket Mount



Wall Mount



Optic lens

High transmittance PC materials, UV test approval.

Code: please refer to Photometry for different beam angle.



±15° Spigot
ADC12 materials with outdoor powder coating.



±30° Pole Clamp Bracket
SPCC materials with outdoor powder coating, can be also the wall mount bracket

Pole Clamp Bracket for 60mm/76mm Pole Only.



Wall mount adaptor

SPCC materials with outdoor powder coating.

Code: SP-R03-05



T shape pole mount adaptor

Q235 with Akzo Powder Coating materials, for 100x100mm square pole.

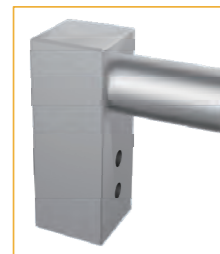
Code: SP-R03-07



T shape pole mount adaptor

Q235 materials, for dia.60/ 76mm pole

Code: SP-R03-06(for dia.60mm)
Code: SP-R03-08(for dia.76mm)



L shape pole mount adaptor

Q235 materials, for 100x100mm square pole.

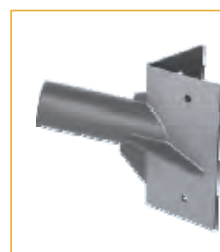
Code: SP-R03-10



L shape pole mount adaptor

Q235 materials, for dia.90mm pole

Code: SP-R03-09(for dia.90mm)



Corner mount adaptor

SPCC materials with outdoor powder coating.

Code: SP-R19-02



L shape pole mount adaptor

Q235 materials, for dia.60mm pole

Code: SP-R19-01(for dia.60mm)



Remote Controller

Remote Controller for Solar Street light
Code: S-Unit(SU07)



CE CB RoHS SAA

Description

The aesthetics of the city is inseparable from lighting, Lotus satisfied the trend of urban differentiation with smooth curvature, which effectively prevents the accumulation of dust and leaves, not only creates a neat atmosphere, but also provides excellent heat dissipation. In general, the traditional industrial lighting design is not obvious enough, in contrast, the design of lotus is inspired by the Pine Greeting Guests, and through continuous optimization, the overall display is more modern.

Key Features

- LED Post Top Light / Garden Light
- Contemporary, architectural design, elegant appearance.
- Smooth housing without any screws exposed.
- Lumen Packages ranging from 4800 - 12000lm
- 100-277V 50/60Hz, 277-480V Available
- Professional optic provide an excellent effect, managing glare while providing high
- Levels of visibility.
- IK08, IP66 Rated
- φ60mm & φ76mm mount available
- Area, site and pedestrian scale applications

Applications

- courtyard
- Private and Public garden
- community

Specifications - UST03 Lotus Post Top Light

Version: 3.0

Electrical Information				
Model No.	UST03-040	UST03-060	UST03-075	UST03-100
Power Consumption(±5%)	40W (±10%)	60W	75W	100W
Power Supply	Sosen			
Input Voltage	100-240VAC /100-277VAC,50 / 60 Hz			
Power Factor	≥0.9 at Max Load			
Surge Protection	6KV line-line , 10KV line-earth			
Driver Type	Constant Current (CC)			
Control	1-10V/DALI			

Optic Information				
LED Type	LED 3030			
Luminous Flux (±10%)	4800LM	7200LM	9000LM	12000LM
Efficacy(4000K Ra70)	120LM/W			
Correlated Color Temperature	4000K (4000K optional)			
Color Rendering Index	Ra70 (Ra80 optional)			
Beam Angle	TYPE III (R01203)/TYPE IV(R01204)/TYPE V(R01201)			
UGR level	NA			

Dimensions and Mount				
Product Dimension	450x450x526mm			
Luminaire Net Weight	7.58±0.2kg	7.88±0.2kg	7.94±0.2kg	7.97±0.2kg
Export Carton Size	530x530x24.5mm			
Gross Weight	9.14±0.2kg	9.44±0.2kg	9.50±0.2kg	9.53±0.2kg
Mounting Option	Post top φ60mm/φ76mm			
Material	Die Casting Aluminum Tempered Glass and Polycarbonate Optical Lens			
Finish	Powder Coating			
Fixture Color	Black			
EPA	5.56ft²			
IK Rating	IK08			
IP Rating	IP66			

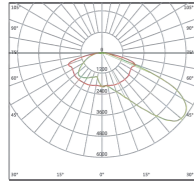
Lifespan and Warranty	
Operating Temperature	-30°C to + 50°C
Life Time of LED @Ta=25°C	60000hrs L90
	80000hrs L80
	100000hrs L70
Warranty	5 Years

New Features	
* Please consult us for details.	

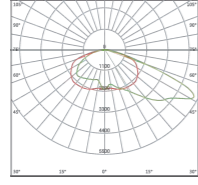
Specifications - UST03 Lotus Post Top Light

Version: 3.0

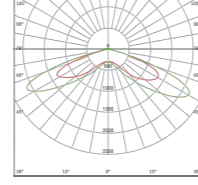
Photometry



TYPE III (R01203)

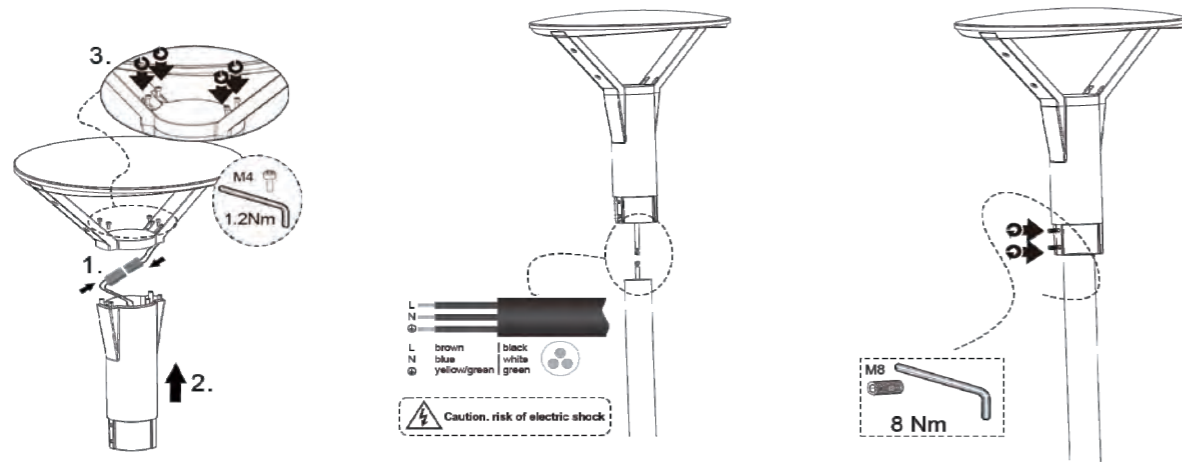


TYPE IV (R01204)



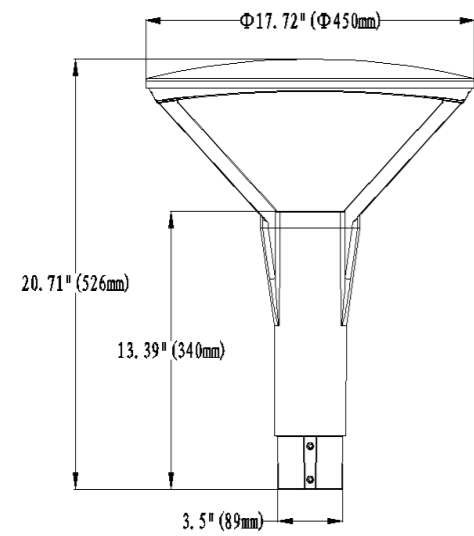
TYPE V (R01201)

Mounting Options



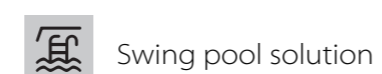
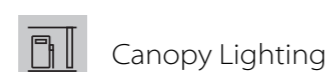
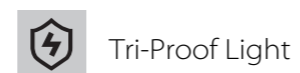
Dimensions

Unit:mm



Accessories

Special Purpose Luminaires



Specifications - HA02 LED Conveyor LED Light

Version: 3.0



Electrical Information				
Model No.	HA02-070	HA02-070/Y	HA02-070/K	HA02-070
Power Consumption(±5%)	70W			
Power Supply	INVENTRONICS		SDC	
Input Voltage	AC100-240V		DC12-24V	
Power Factor	>0.90			
Surge Protection	20KV		/	
Driver Type	Constant Current (CC)			
Control	nodim, 1-10V dim control	Emergency function	Photocell control	DC input

Optic Information	
LED Type	LED 3030
Luminous Flux (±10%)	9800lm
Efficacy(5000K Ra70)	140LM/W
Correlated Color Temperature	5000K (4000K optional)
Color Rendering Index	Ra70 (Ra80 optional)
Beam Angle	R01206, T00C02
UGR level	NA

Dimensions and Mount				
Product Dimension	347x342x128mm	347x342x198mm	347x342x128mm	
Luminaire Net Weight	6.02±0.3kg	6.20±0.3kg	6.41±0.3kg	6.05±0.3kg
Export Carton Size	455x415x240mm			
Gross Weight	7.40±0.3kg	7.58±0.3kg	7.79±0.3kg	7.43±0.3kg
Mounting Option	Pole Mounting (φ32mm/34mm/40mm/44mm)			
Material	Aluminum Alloy			
	Tempered Glass and Polycarbonate Optical Lens			
Finish	Powder Coating			
Fixture Color	Black			
EPA	1.21ft²			
IK Rating	IK08			
IP Rating	IP66			

Lifespan and Warranty			
Operating Temperature	-30°C to + 50°C	0°C to + 40°C	-30°C to + 50°C
Life Time of LED @Ta=25°C	70,000hrs-L90		
	152,000hrs-L80		
	244,000hrs-L70		
Warranty	5 Years		

New Features	
* Please consult us for details.	

Description

With specially design, HA02 LED conveyor light offers a perfect lighting solution for some challenging areas like conveyors and narrow pathways.

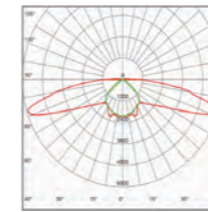
Key Features

- Robust unibody arc-shaped design.
- High output lumen efficiency, up to 140lm/W.
- Resistant to Vibration.
- Daylight sensor, built-in emergency module, 0-10v dimmable and DC input for optional.
- IP66, IK08 and 20KV surge protection.
- Type I asymmetrical optical controls provide professional light distribution.
- Lowest cost of installation. Fit φ32, 34, 40, 44mm spigot mount installations

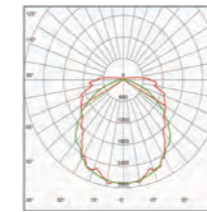
Applications

- Conveyor
- Walkway
- Parking lot
- Other area lighting applications

Photometry



R01206



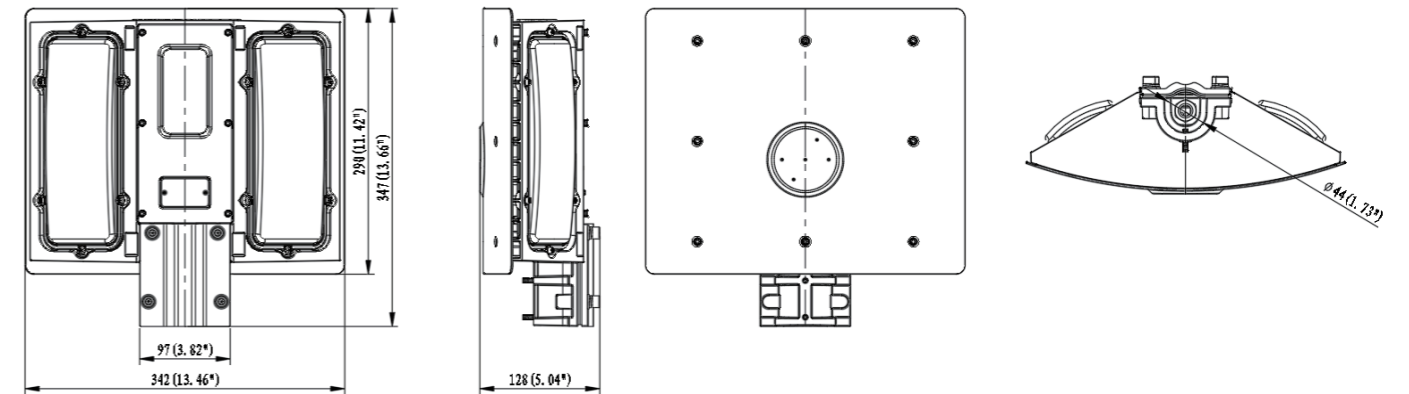
T00C02

Mounting Options

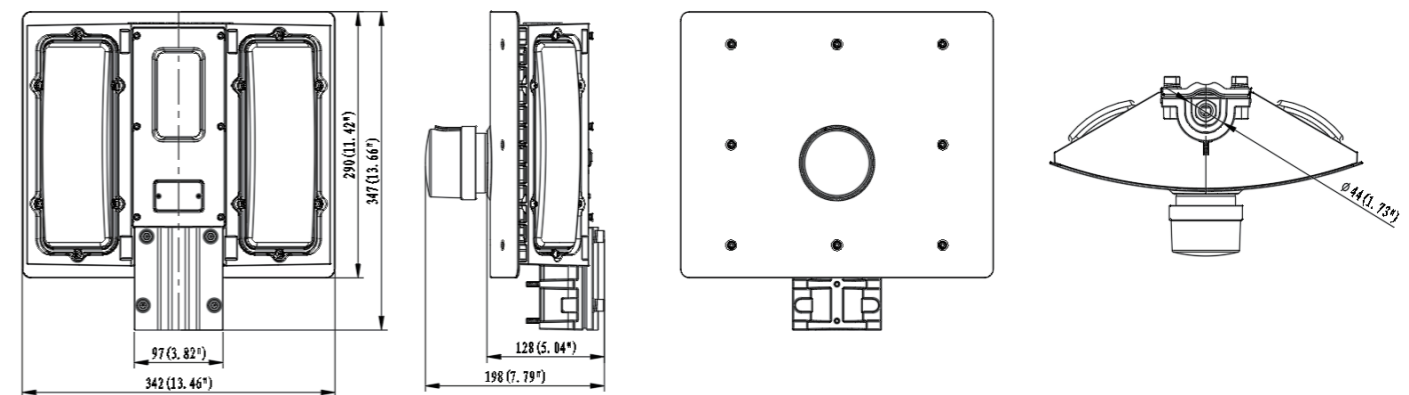


Pole mounting

Dimensions



70W



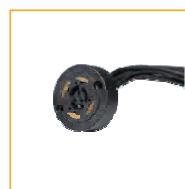
70W with photocell



Photocell control
ON-OFF automatically according to day light.
Code: PS-A00-01



Shorting cap
Cover NEMA socket when it is not used.
Code: NS-A00-01



NEMA socket
3pin/ 5pin /7pin are optional.
Code: NS-A00-02(for 3pin)
Code: NS-A00-03(for 5pin)
Code: NS-A00-04(for 7pin)



Description

HiPack adopts latest Nichia chips with 140lm/W luminous efficacy. Using professional imported optical lens with 93% light transmittance, it makes HiPack high efficient, low UGR and asymmetrical light distribution. HiPack delivers uniform light and increase security for building exteriors and courtyard.

Key Features

- 40W/70W 140lm/W.
- IP65 rating, EVA board on the back preventing water from flowing in.
- Corrosion resistance: Outdoor polyester & anti-corrosion material coating
- Great heat dissipation. Driver located at the grille heat sink helps excellent dissipation performance.
- Uniformly Asymmetrical light distribution, illuminating the area without light pollution.
- 5 years warranty.

Applications

- courtyard
- building exteriors

Specifications - WP01 HiPack LED Wall Pack Light

Version: 3.0

Electrical Information		
Model No.	WP01-040	WP01-070
Power Consumption(±5%)	40W	70W
Power Supply	Sosen	
Input Voltage	100-240 VAC	
Power Factor	≥0.9	
Surge Protection	6kV line-line, 10kV line-earth	
Driver Type	Constant Current (CC)	
Control	1-10V Dimmable	
	Microwave Sensor, PIR Sensor, Emergency	

Optic Information		
LED Type	LED 3030	
Luminous Flux (±10%)	5600LM	9800LM
Efficacy(5000K Ra70)	140lm/W	
Correlated Color Temperature	5000K (3000K, 4000K optional)	
Color Rendering Index	Ra70 (Ra80 optional)	
Beam Angle	R08401	
UGR level	NA	

Dimensions and Mount

Product Dimension	296x150x223mm
Luminaire Net Weight	3.9± 0.3kg
Export Carton Size	272x200x350mm
Gross Weight	4.6± 0.3kg
Mounting Option	Wall Mounting
Material	Aluminum Alloy Polycarbonate Optical Lens
Finish	Powder Coating
Fixture Color	Bronze
EPA	NA
IK Rating	IK10
IP Rating	IP66

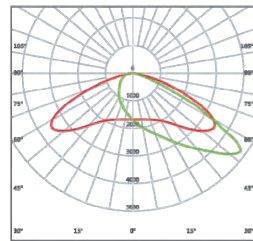
Lifespan and Warranty

Operating Temperature	-30°C to + 50°C
Life Time of LED @Ta=25°C	67,000hrs-L90
	146,000hrs-L80
	236,000hrs-L70
Warranty	5 Years

New Features

- Emergency back-up
- Photocell JL-403C

** Please consult us for details.*



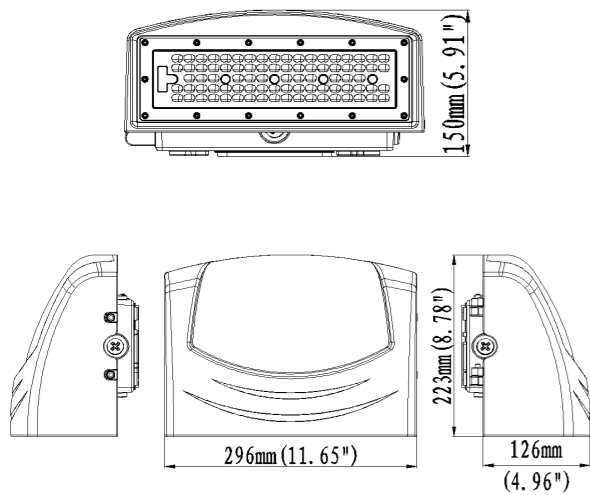
R08401

Mounting Options



Wall mounting

Dimensions



Accessories



PIR sensor
120-277Vac input, IP65 rating.



Microwave motion sensor
120-277Vac input, IP65 rating, max detect height is 15m.

Remote control



Emergency kit
8W 3H emergency kit

Specifications - ST14 HiPark LED Garage Light

Version: 3.0



Electrical Information		
Model No.	ST14-040	ST14-060
Power Consumption(±5%)	40W	60W
Power Supply	Sosen	
Input Voltage	100-240 VAC	
Power Factor	≥0.9	
Surge Protection	6kV line-line, 10kV line-earth	
Driver Type	Constant Current (CC)	
Control	1-10V Dimmable, Microwave Sensor, PIR Sensor, Emergency	

Optic Information		
LED Type	LED 3030	
Luminous Flux (±10%)	5600LM	8400LM
Efficacy(5000K Ra70)	140lm/W	
Correlated Color Temperature	5000K (3000K, 4000K optional)	
Color Rendering Index	Ra70 (Ra80 optional)	
Beam Angle	R08801, R00C02	
UGR level	NA	

Description

HiPark Garage light is low-profile, durable and state-of-the-art fixture. It is designed for indoor parking garage which can quickly and easily upgrade existing H.I.D. and fluorescent fixtures.

Key Features

- Brightest Parking Garage Light in the Market: up to 140lm/W
- Multiple Mounting: Surface Mounting/Pipe Mounting
- Built-in Motion Sensor to save more energy
- Easy Installation&Maintenance

Dimensions and Mount

Product Dimension	282x252x89mm	
Luminaire Net Weight	2.3±0.3kg	2.5±0.3kg
Export Carton Size	680x327x319mm	
Gross Weight	2.7 ± 0.3kg	
Mounting Option	Ceiling mount , Pipe mount	
Material	Aluminum Alloy Polycarbonate Optical Lens	
Finish	Powder Coating	
Fixture Color	Bronze	
EPA	NA	
IK Rating	IK08	
IP Rating	IP66	

Lifespan and Warranty

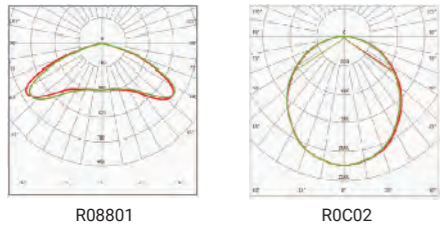
Operating Temperature	-30°C to + 50°C	
	67,00hrs-L90	
Life Time of LED @Ta=25°C	146,000hrs-L80	
	236,000hrs-L70	
Warranty	5 Years	

Applications

- Indoor Parking Garages
- Service Corridor
- Fire Stairs

New Features

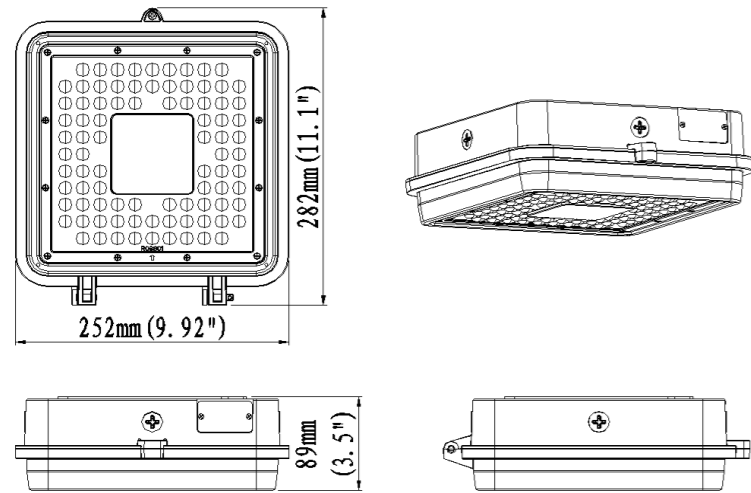
* Please consult us for details.



Mounting Options



Dimensions



Accessories



Specifications - TN02 Gotthard LED Tunnel Light

Version: 3.0



Description

Gotthard brings elegance to tunnel lighting, separate driver box design for better protection and easier maintenance. Highly reliable, environment friendly materials for corrosion proof.

Key Features

- Great corrosion resistance, passed 1000H salty spray test.
- Full power covers 60W 90W 120W 150W
- 150lm/W
- IP66, CLASS II, DALI dimming.
- Strengthened Glass to ensure the IK Protection, and easy to clean.
- Excellent heat dissipation.
- Asymmetric optic: TYPE II/TYPE III
- Adjustable ceiling mount and Hook Mount are optional for different type of tunnels.

Applications

- Fast-speed, Medium-speed, and Low-speed tunnel

Electrical Information

Model No.	TN02-060	TN02-090	TN02-120	TN02-150
Power Consumption(±5%)	60W	90W	120W	150W
Power Supply	Philips			
Input Voltage	AC220-240V, 50 / 60 Hz			
Power Factor	>0.90			
Surge Protection	6kV line-line, 10kV line-earth			
Driver Type	Constant Current (CC)			
Protection Class	Class I/Class II			
Control	DALI dimmable, Timer dimming, Non-dimmable, 1-10V Dimmable			

Optic Information

LED Type	LED 3030			
Luminous Flux (±10%)	9000LM	13500LM	18000LM	22500LM
Efficacy(@4000K Ra70)	150LM/W			
Correlated Color Temperature	4000K (3000K, 5000K optional)			
Color Rendering Index	Ra70 (Ra80 optional)			
Beam Angle	R01203, R01204, R01205, R01207, R01208			
UGR level	NA			

Dimensions and Mount

Product Dimension	Lamp Body	308x206x194mm	358x206x194mm	459x206x194mm	510x206x194mm
	Power Supply	397x137x219mm			
Net Weight	Lamp Body	1.6±0.3kg	1.9±0.3kg	2.5±0.3kg	3.0±0.3kg
	Power Supply	1.9±0.3kg			
Export Carton Size	Lamp Body	411x255x130mm	461x255x130mm	562x255x130mm	612x255x130mm
	Power Supply	513x184x155mm			
Gross Weight	Lamp Body	2.1±0.3kg	2.4±0.3kg	3.0±0.3kg	3.5±0.3kg
	Power Supply	2.4±0.3kg			
Mounting Option	Hook Mount/Ceiling Mount (Adjustable)				
Material	Aluminum Alloy Tempered Glass and Polycarbonate Optical Lens				
Finish	Powder Coating				
Fixture Color	Gray				
EPA	NA				
IK Rating	IK09				
IP Rating	IP66				

Lifespan and Warranty

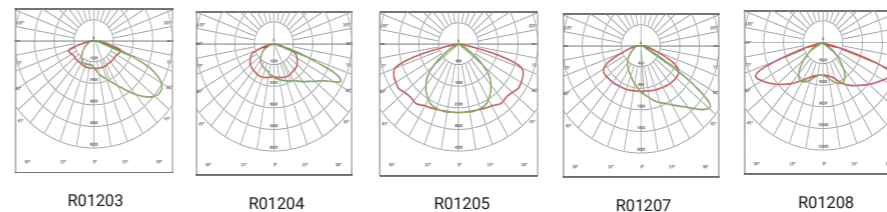
Operating Temperature	-30°C to +50°C(-22°F to +122°F)
Life Time of LED @Ta=25°C	>61,000hrs-L90
	>135000hrs-L80
	>219000hrs-L70
Warranty	5 Years

New Features

- 300W is available

* Please consult us for details.

Photometry



Mounting Options



Hook mounting

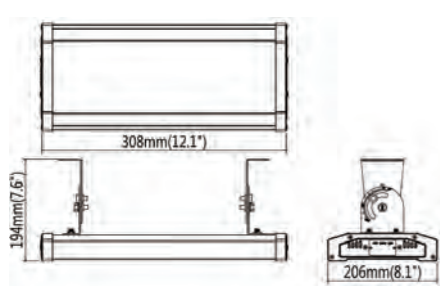


Ceiling mounting

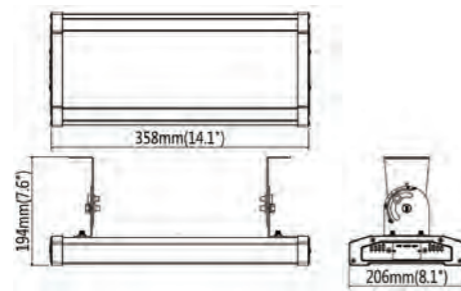
Dimensions

Ceiling mounting

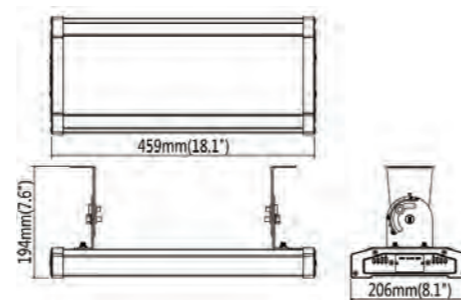
60W (Lamp Body)



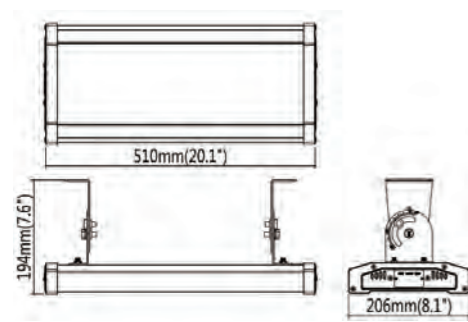
90W (Lamp Body)



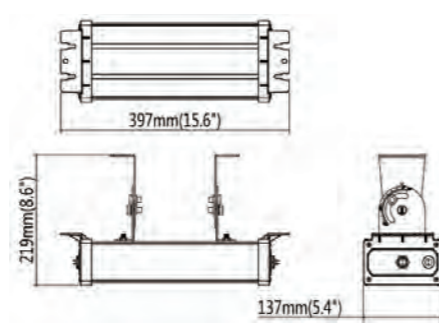
120W (Lamp Body)



150W (Lamp Body)

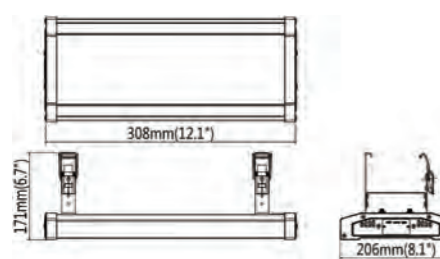


Power

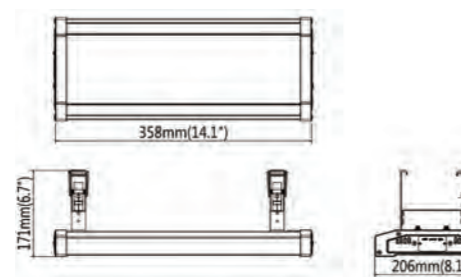


Hook mounting

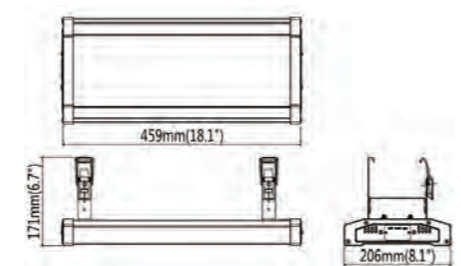
60W (Lamp Body)



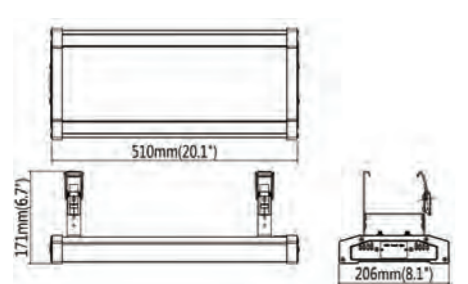
90W (Lamp Body)



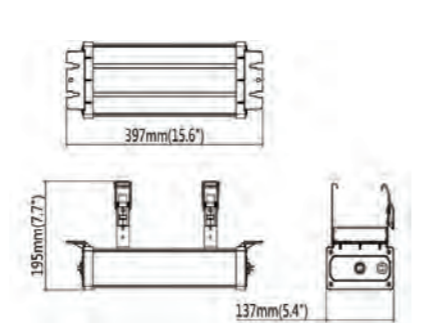
120W (Lamp Body)



150W (Lamp Body)



Power Supply



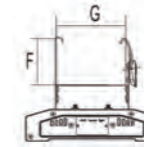
Accessories



Hook mount bracket

Stainless steel materials, 3 kinds of size for option.

Code: BC-T02-01 (100mm wide)
Code: BC-T02-01a (200mm wide)
Code: BC-T02-01b (300mm wide)



G(mm/in)	F(mm/in)
100(3.94")	75(2.95")
200(7.87")	75(2.95")
300(11.81")	75(2.95")



Ceiling mount bracket

±45° adjustable bracket.

Code: BC-T02-02

Specifications - FL12 HiGas X LED Canopy Light

Version: 3.0



Electrical Information				
Model No.	FL12-050	FL12-080	FL12-100	FL12-150
Power Consumption(±5%)	50W	80W	100W	150W
Power Supply	MEANWELL			
Input Voltage	100-240 VAC, 50 / 60 Hz			
Power Factor	>0.90			
Surge Protection	6kV line-line, 10kV line-earth			
Driver Type	Constant Current (CC)			
Control	dimmable			

Optic Information				
LED Type	LED 3030			
Luminous Flux (±10%)	8000lm	12800lm	16000lm	24000lm
Efficacy(@5000K Ra70)	160lm/W			
Correlated Color Temperature	5000K (3000K, 4000K optional)			
Color Rendering Index	Ra70 (Ra80 optional)			
Beam Angle	F00A02			

Description

High luminous efficacy and source Flush mount canopy fixture, ideal for vehicle service and fueling stations as a retrofit or new construction.

Key Features

- Suitable for Garage/Gas station etc.
- Warehouse
- Industrial Facility
- Exhibition Center
- Shopping Mall

Applications

- Warehouse
- Industrial Facility
- Exhibition Center
- Shopping Mall
- Gymnasium
- Airport
- Toll Station and so on.

Dimensions and Mount

Product Dimension	405×405×192mm			
Luminaire Net Weight	8.0±0.3kg	8.1±0.3kg	8.4±0.3kg	8.6±0.3kg
Export Carton Size	465×245×470mm			
Gross Weight	8.5±0.3kg	8.6±0.3kg	8.8±0.3kg	9.0±0.3kg
Mounting Option	Recessed Mounting, Ceiling Mounting			
Material	Aluminum Alloy Tempered Glass			
Finish	Powder Coating			
Fixture Color	White			
EPA	NA			
IK Rating	IK08			
IP Rating	IP66			

Lifespan and Warranty

Operating Temperature	-30°C to + 50°C	-30°C to + 45°C
Life Time of LED @Ta=25°C	77,000hrs-L90	170,000hrs-L80
	170,000hrs-L80	275,000hrs-L70
Warranty	5 Years	

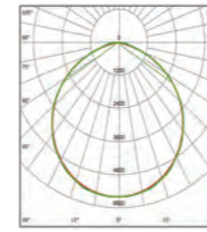
New Features

* Please consult us for details.

Specifications - FL12 HiGas X LED Canopy Light

Version: 3.0

Photometry



F00A02

Mounting Options



Recessed Mounting via square hole

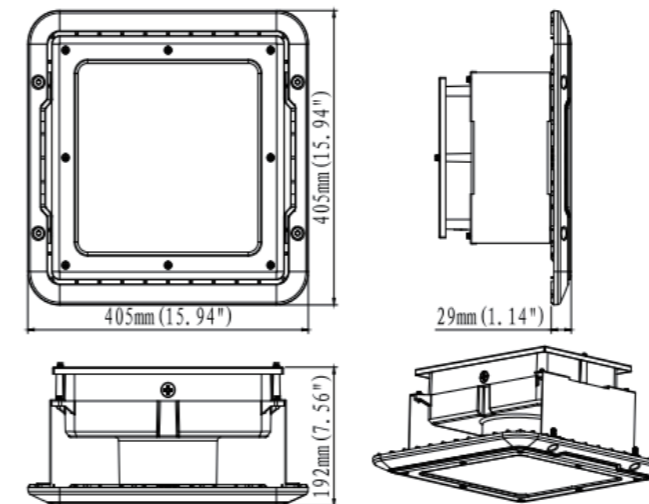


Recessed Mounting via round hole



Ceiling Mounting

Dimensions



Specifications - FL19 LED Canopy Light

Version: 3.0



CE RoHS

Electrical Information		
Model No.	FL19-050	FL19-075
Power Consumption(±5%)	50W	75W
Power Supply	SOSEN	
Input Voltage	100-240 VAC, 50 / 60 Hz	
Power Factor	>0.92	
Surge Protection	4kV line-line, 6kV line-earth	
Driver Type	Constant Current (CC)	
Control	dimmable	

Optic Information		
LED Type	LED 3030	
Luminous Flux (±10%)	6500lm	9750lm
Efficacy(@5000K Ra70)	130lm/W	
Correlated Color Temperature	5000K (3000K, 4000K optional)	
Color Rendering Index	Ra70 (Ra80 optional)	
Beam Angle	F00C01	
UGR	NA	

Description

FL19 is low power with 50W/75W optional, as an economic product, this item with efficiency around 130lm/W, could be used as canopy light or low bay light.

Key Features

- Simple but multiple mounting optional
- SMD chips better heat dissipation
- Polycarbonate cover, anti-yellow, IK07
- 5 years warranty

Applications

- Warehouse
- Factory
- Exhibition Center
- gas station

Dimensions and Mount

Product Dimension	400×400×76mm 438×400×85mm(with ceiling frame)
Luminaire Net Weight	2.45±0.3kg 3.45±0.3kg(with ceiling frame)
Export Carton Size	480×100×485mm
Gross Weight	3.45±0.3kg 4.5±0.3kg(with ceiling frame)
Mounting Option	Suspension Mounting, Recessed Mounting Ceiling Mounting, Bracket Mounting
Material	SPCC
Finish	Powder Coating
Fixture Color	White
EPA	NA
IP Rating	IP65

Lifespan and Warranty

Operating Temperature	-30°C to + 50°C
Life Time of LED @Ta=25°C	83,000hrs-L80
	132,000hrs-L80
Warranty	5 Years

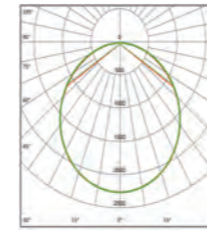
New Features

* Please consult us for details.

Specifications - FL19 LED Canopy Light

Version: 3.0

Photometry



F00C01

Mounting Options



Suspension Mounting



Recessed Mounting

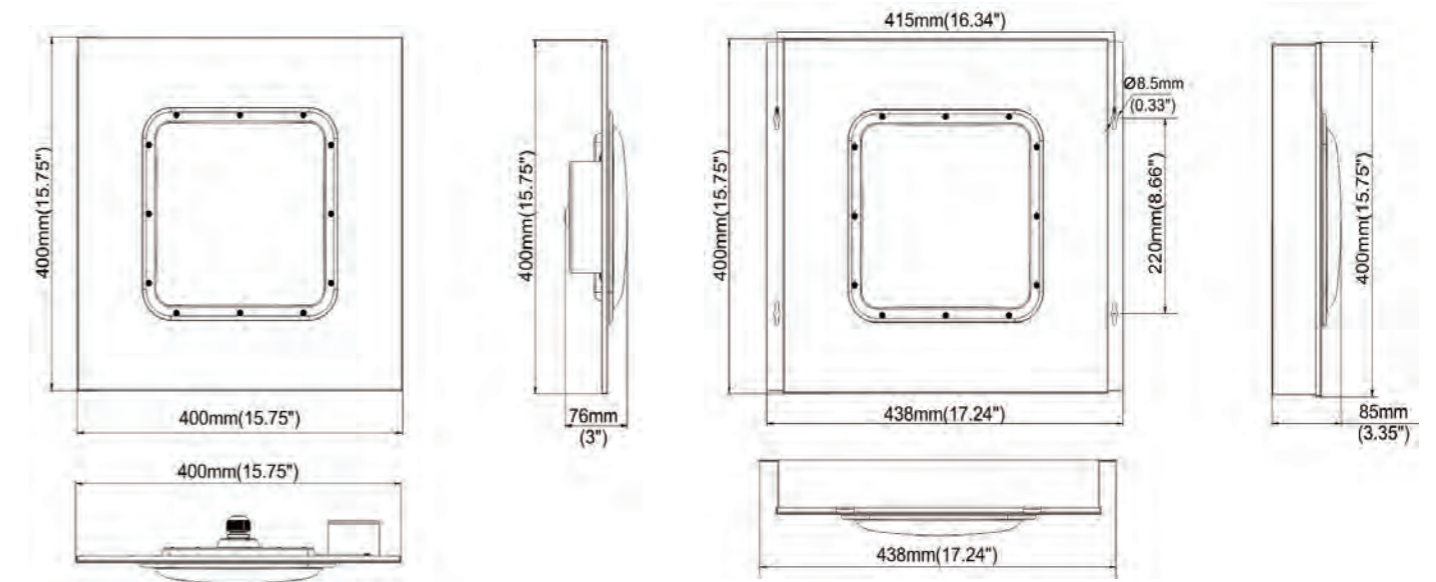


Ceiling Mounting



Bracket Mounting

Dimensions



50W/70W

50W/70W(with ceiling frame)

Specifications - FL26 LED Portable Light

Version: 3.1



Electrical Information	
Model No.	FL26-100
Power Consumption (±5%)	100W
Power Supply	SOSEN
Input Voltage	AC220-240V
Power Factor	≥0.90
Surge Protection	6kV line-line, 10kV line-earth
Driver Type	Constant Current (CC)
Control	NA

Optic Information	
LED Type	LED 5050
Luminous Flux (±10%)	13000LM
Efficacy (@5000K Ra80)	130LM/W
Correlated Color Temperature	5000K (3000K, 4000K Optional)
Color Rendering Index	Ra80 (Ra70 Optional)
Beam Angle	F03601
UGR level	NA

Dimensions and Mount	
Product Dimension	373×330×150mm
Luminaire Net Weight	7±0.2kg
Export Carton Size	460×400×215mm
Gross Weight	8±0.2kg
Mounting Option	Bracket mounting
Material	Aluminum Alloy Polycarbonate Optical Lens
Finish	Powder Coating
Fixture Color	Black
EPA	NA
IK Rating	IK10
IP Rating	IP66

Lifespan and Warranty	
Operating Temperature	-30°C to + 50°C
	60,000hrs-L90
Life Time of LED @Ta=25°C	140,000hrs-L80
	230,000hrs-L70
Warranty	5 Years

New Features	

Description

FL26 is a portable LED lamp. High system efficiency and special designed optic lens provide the fixture excellent lighting uniformity. A stainless steel plate was well protective for the optic lens. The robust body has fixture pass IK10 test, which be a nice choice for construction and repair sites.

Key Features

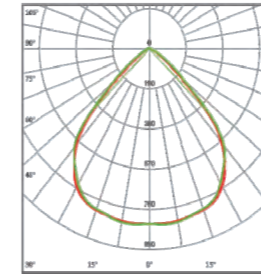
- Compact size and easy to take.
- High output efficiency, up to 130lm/W.
- Excellent heat dissipation performance.
- Built-in 10KV Surge Protection helps the fixture safety.
- IK10 rating.
- 5 years warranty.

Applications

- Construction site
- Decoration place
- Work shop

*Please consult us for details.

Photometry



F03601

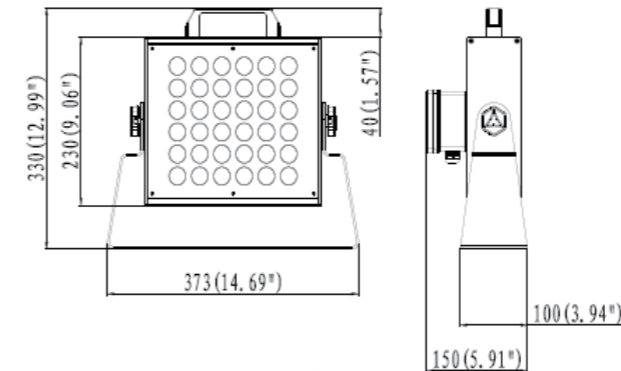
Mounting Options



Bracket mounting

Dimensions

Unit: mm/inch



Specifications - LHB11 Hi-Proof LED Linear Light

Version: 3.0



Description

LHB11 is a high quality and durability water-proof, dust-proof and corrosion-proof LED Lighting Product. It could be used in a wide variety of industrial and commercial environments such as car wash operations, maintenance areas, parking garages, stairwells and warehouses. It can be link-able, dimmable, with motion sensor and emergency working.

Key Features

- 600mm: 20W-30W; 1200mm: 40W-50W; 1500mm: 60W-80W
- 130lm/w or 150lm/w
- IP65 & IK08
- Easy access to terminal blocks ensure fast and flexible installation
- It can be linkable, max. 10-12no. fittings per daisy-chain
- 0-10V/ PIR/ Microwave sensor/ Zigbee/Dali/ Emergency function are available

Applications

- Supermarket
- Warehouse / Factory
- Office
- Garage
- Railway / Bus / MTR Station
- RAirport
- Exhibition Hall

Electrical Information

Model No.	LHB11-040	LHB11-060	LHB11-080
Power Consumption(±5%)	40W(±10%)	60W	80W
Power Supply	Philips Driver		
Input Voltage	220-240 VAC		
Power Factor	≥0.9 at Max Load		
Surge Protection	1KV line-line, 2KV line-earth		
Driver Type	Constant Current (CC)		
Control	dimmable, DALI, Microwave Sensor, PIR sensor, Daylight sensor Zigbee Wireless Control, Emergency		

Optic Information

LED Type	LED 2835		
Luminous Flux (±10%)	5800LM	9000LM	12000LM
Efficacy(5000K Ra80)	145lm/W	150lm/W	150lm/W
Correlated Color Temperature	5000K (3000K, 4000K optional)		
Color Rendering Index	Ra80 (Ra70 optional)		
Beam Angle	L00C17(120°)		
UGR level	NA		

Dimensions and Mount

Product Dimension	647x97x89mm	1247x97x89mm	1547x97x89mm
Luminaire Net Weight	1.38±0.2kg	2.3±0.2kg	2.76±0.2kg
Export Carton Size	745x375x335mm	1345x375x335mm	1645x375x335mm
Gross Weight	15.06±0.2kg(9pcs/ctn)	23.97±0.2kg(9pcs/ctn)	19.31±0.2kg(6pcs/ctn)
Mounting Option	Suspension Mounting, Ceiling Mounting Aluminum Alloy		
Material	Polycarbonate Optical Lens Powder Coating		
Finish	Milky white		
Fixture Color	NA		
EPA	IK08		
IK Rating	IP65		
IP Rating	IP65		

Lifespan and Warranty

Operating Temperature	-30°C to 40°C
Life Time of LED @Ta=25°C	47,000hrs-L90B50 99,000hrs-L80B50 158,000hrs-L70B50
Warranty	5 Years

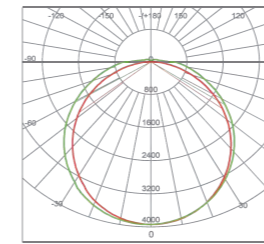
New Features

* Please consult us for details.

Specifications - LHB11 Hi-Proof LED Linear Light

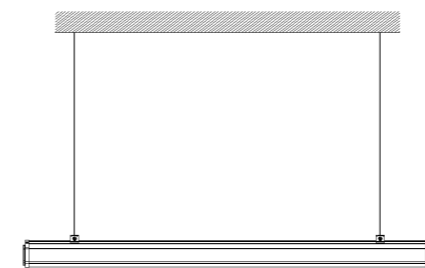
Version: 3.0

Photometry



L00C17(120°)

Mounting Options

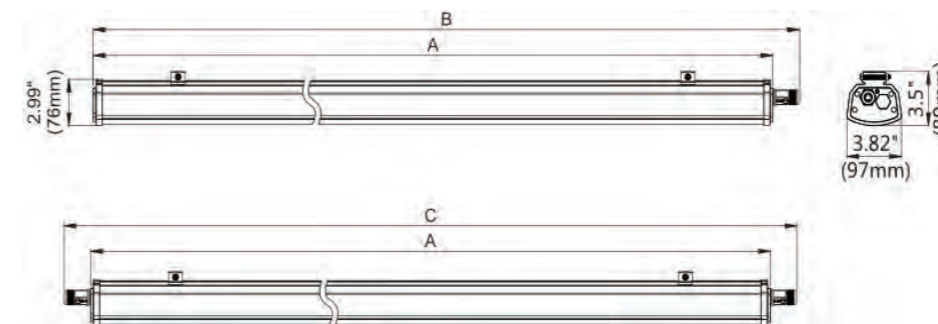


Suspension Mounting



Ceiling mounting

Dimensions



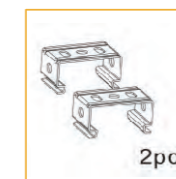
POWER	A(mm/in)	B(mm/in)	C(mm/in)
40W	600(23.62")	647(25.47")	694(27.32")
60W	1200(47.24")	1247(49.09")	1294(50.94")
80W	1500(59.05")	1547(60.91")	1594(62.75")

A-Length of the body;
B-Length of the body with single connector;
C-Length of the body with double connectors.

Accessories



Suspension kit
304 stainless steel, available for 2m long.
Code: SL-L11-01



Ceiling Mounting Bracket
SPCC stainless steel.
Code: BC-L11-01



Zigbee gateway
1pcs can control 100pcs fixtures.



Zigbee microwave motion sensor
An optional sensor control for Zigbee system, 100-277Vac input, IP65 rating.

Specifications - LHB11 Hi-Proof LED Linear Light

Version: 3.0



Zigbee daylight sensor
An optional sensor control for Zigbee system, 100-277Vac input, IP65 rating.



Daylight sensor
On-off function only.



PIR sensor
On-off function only.



Microwave motion sensor
On-off function only.



Description

In seaside application, wet air with salt water threaten normal LED luminaire lifespan, anti-corrosion is always the problem that LED light manufacturer should consider. FL23 LED flood light anti-corrosion version is aiming to seaside application. Based on normal features such as multiple beam angle options, full wattage from 50W-300W, best cost-effective with different size of molds. It is specially adopted double surface treatment to provide excellent anti-corrosion ability, FL23 anti-corrosion version will be a real product for seaside application.

Key Features

- External vent/Respirator: Avoid internal fogging and frosting.
- Private tooling in unique and nice outlook.
- Wide choice of optics to suit more applications (asymmetrical and symmetrical).
- Uniform design covering the best sellers 50W-100W-150W-200W-300W
- Electrophoresis and powder coating, double surface treatment.
- Stainless steel bracket, well anti-corrosion performance.

Applications

- Seaside
- Swimming pool
- For recreational sports (tennis courts, basketball courts...)
- Exhibition Center
- Shopping Mall
- Stadium
- Accent lighting
- Parking lots

Specifications - FL23 LED Flood Light Anti-corrosion version

Version: 1.3

Electrical Information

Model No.	FL23-050	FL23-100	FL23-150	FL23-200	FL23-300
Power Consumption(±5%)	50W	100W	150W	200W	300W
Power Supply	DONE	SOSEN			
Input Voltage	220-240VAC, 50 / 60 Hz				
Power Factor	>0.90	>0.95			
Surge Protection	6kV line-line, 6kV line-earth	6kV line-line, 10kV line-earth			6kV line-line, 12kV line-earth
Driver Type	Constant Current (CC)				
Control	1-10V dimmable, DALI dimmable				

Optic Information

LED Type	SMD 3030				
Luminous Flux (±10%)	6500LM	13000LM	19500LM	26000LM	39000LM
Efficacy(5000K Ra70)	130LM/W				
Correlated Color Temperature	5000K (3000K, 4000K optional)				
Color Rendering Index	Ra70 (Ra80 optional)				
Beam Angle	F06401, F06402, F06403, F06404	F12801, F12802, F12803, F12804	F19201, F19202, F19203, F19204	F22401, F22402, F22403, F22404	F38401, F38402, F38403, F38404
UGR level	/				

Dimensions and Mount

Product Dimension	267×228×55mm	314×269×61mm	360×302×67mm	398×343×70mm	470×406×80mm
Luminaire Net Weight	1.8kg	2.8kg	3.9kg	5.3kg	8.1kg
Export Carton Size	320×110×265mm	390×115×315mm	430×120×345mm	470×125×385mm	545×135×450mm
Gross Weight	2.1kg	3.2kg	4.4kg	5.9kg	8.8kg
Mounting Option	Bracket Mounting / Pole Mounting				
Material	Aluminum Alloy, Stainless steel bracket Tempered Glass, Polycarbonate Optical Lens				
Finish	Electrophoresis, Powder coating				
Fixture Color	Luminaire body and bracket: gray color(C30776S0JP) Tempered glass: gray color				
EPA	0.49ft ²	0.71ft ²	0.91ft ²	1.18ft ²	1.73ft ²
IK Rating	IK08				
IP Rating	IP66				

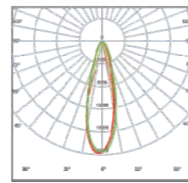
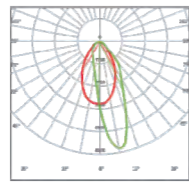
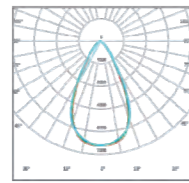
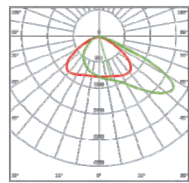
Lifespan and Warranty

Operating Temperature	-30°C to + 50°C
Life Time of LED @Ta=25°C	67000hrs-L70
Warranty	5 Years

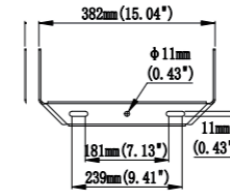
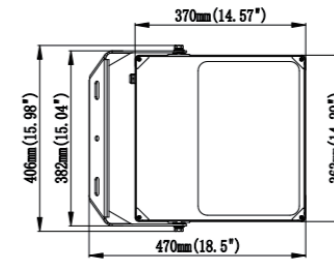
New Features

* Please consult us for details.

Photometry



50W beam angle:	F06401	F06402	F06403	F06404
100W beam angle:	F12801	F12802	F12803	F12804
150W beam angle:	F19201	F19202	F19203	F19204
200W beam angle:	F22401	F22402	F22403	F22404
300W beam angle:	F38401	F38402	F38403	F38404



300W

Mounting Options



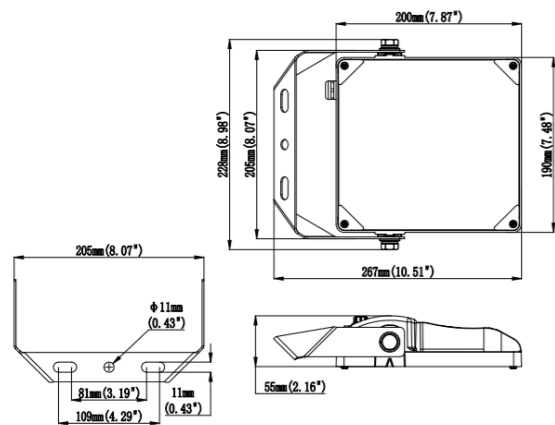
Bracket mounting



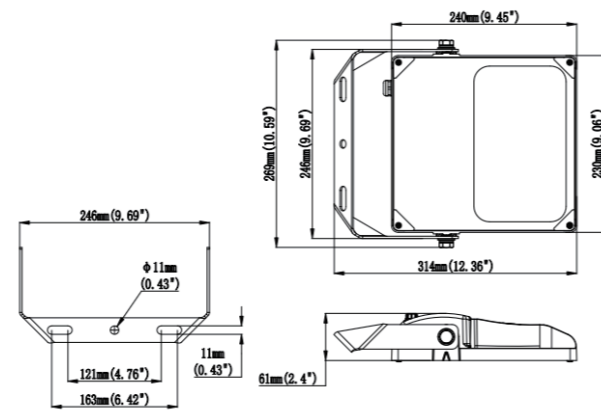
Pole mounting

Accessories

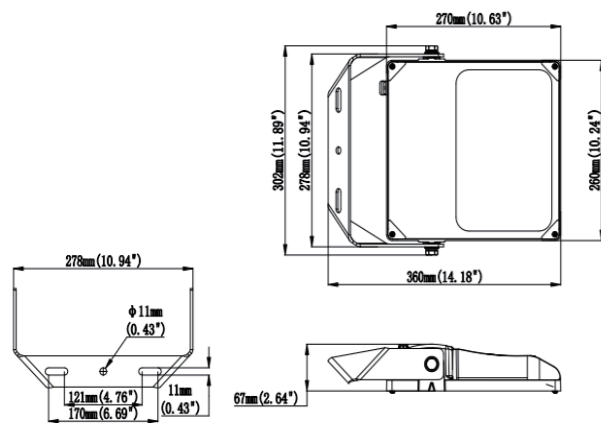
Dimensions



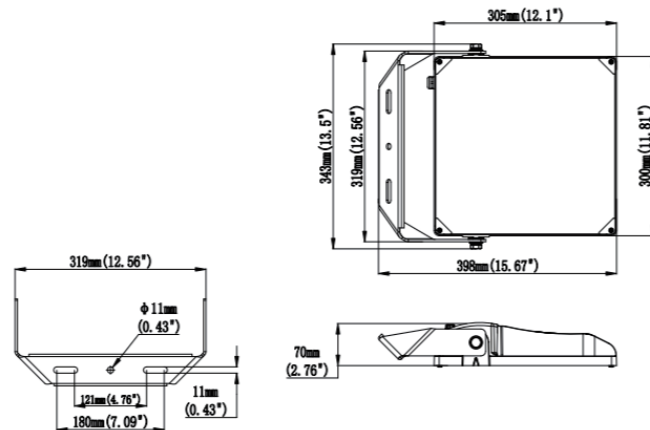
50W



100W



150W



200W